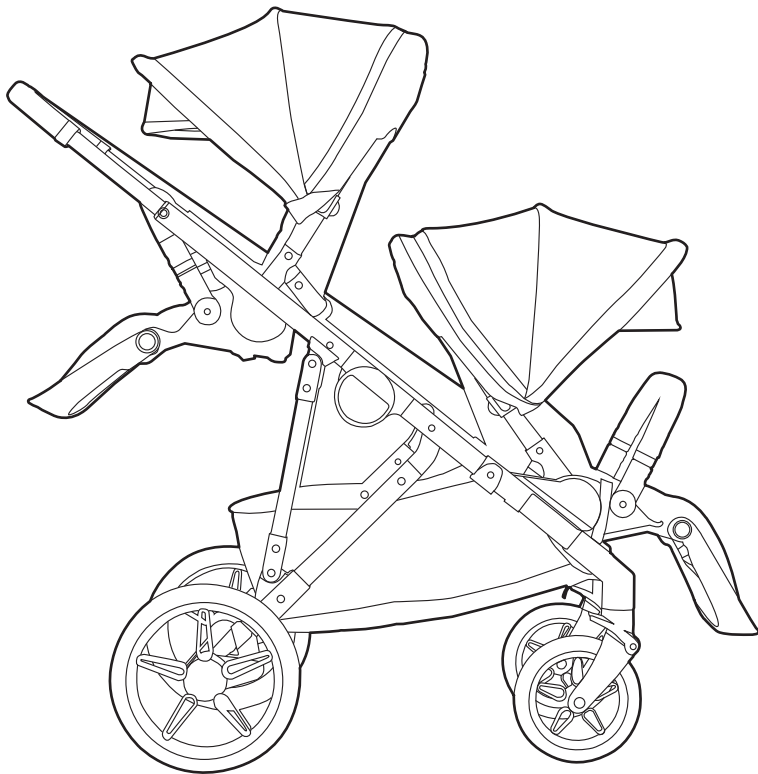


mee-go

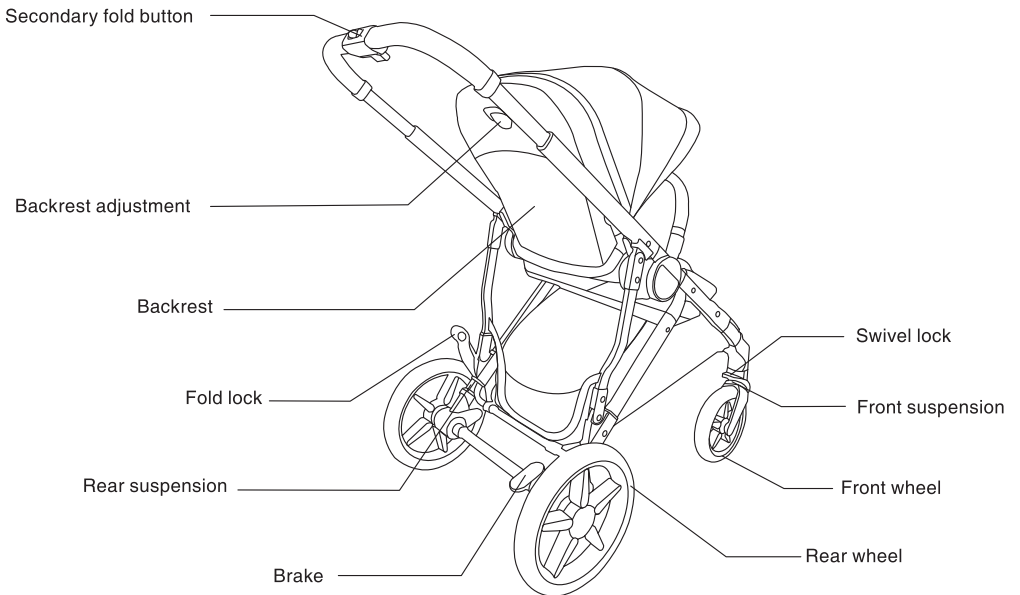
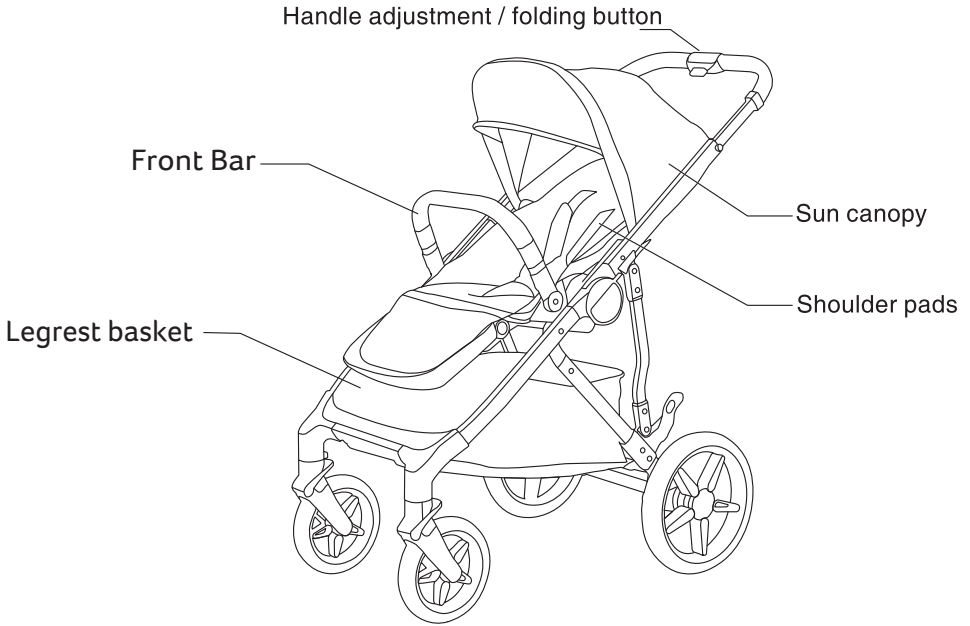
uno+

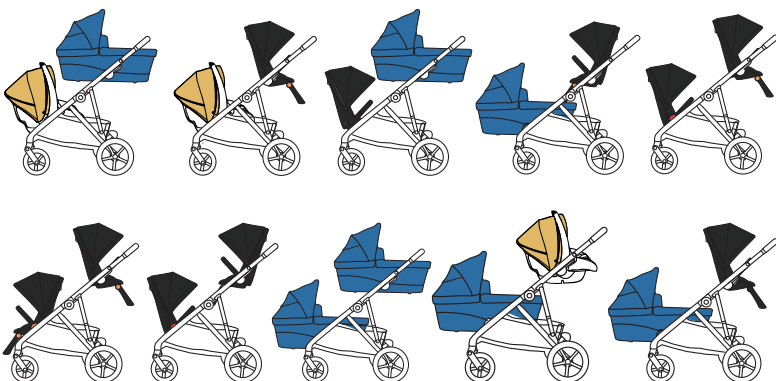
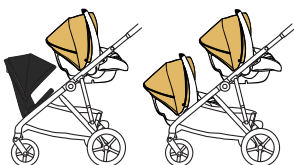
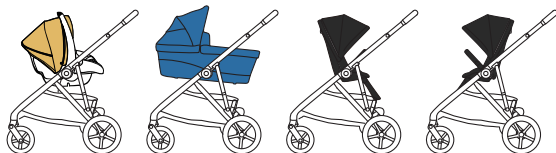
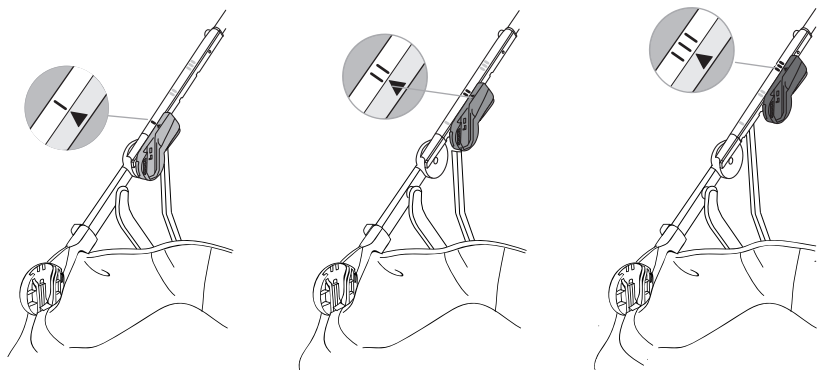


Stroller and seat units

EN1888:2018

Parts of stroller



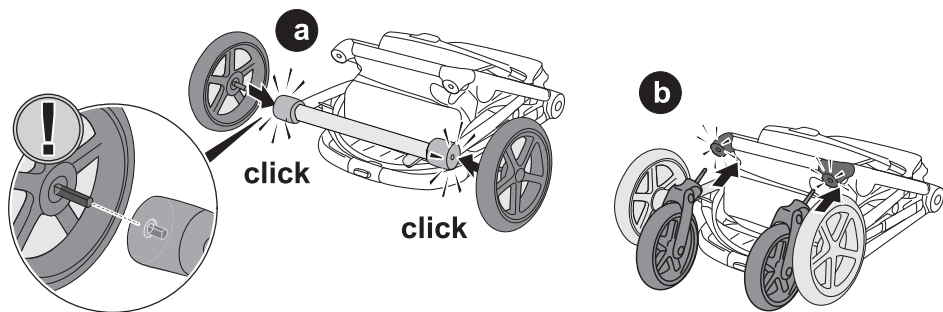


max. 9 kg

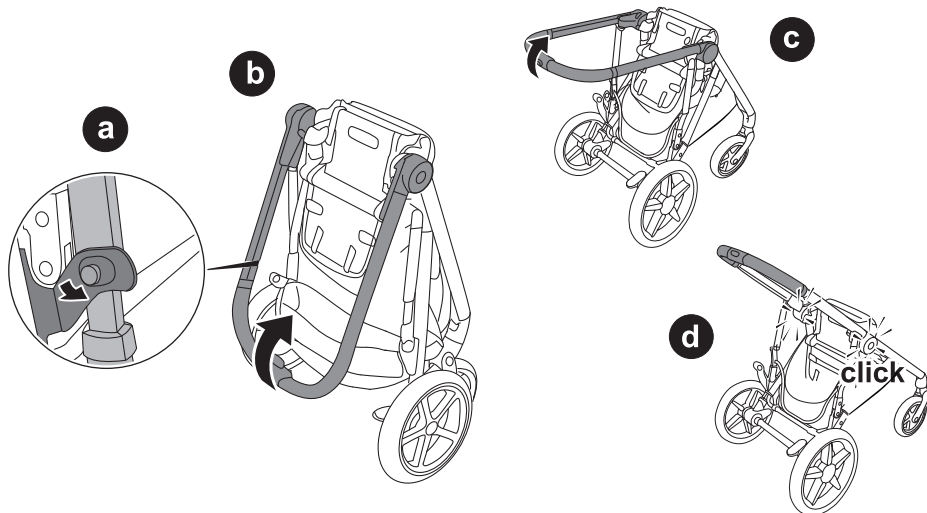
max. 13 kg

max. 15 kg

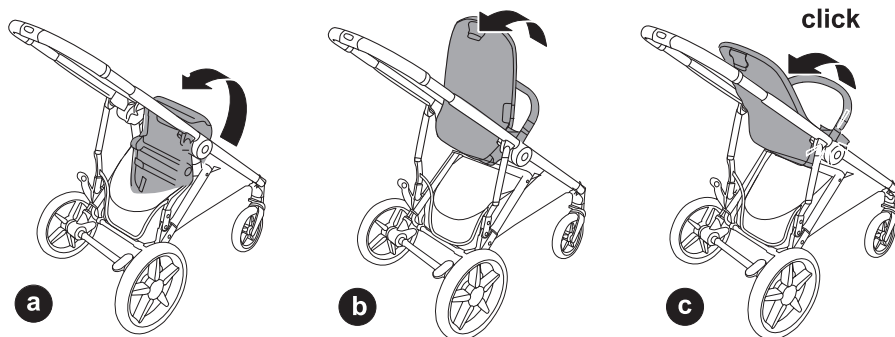
Insert the wheels



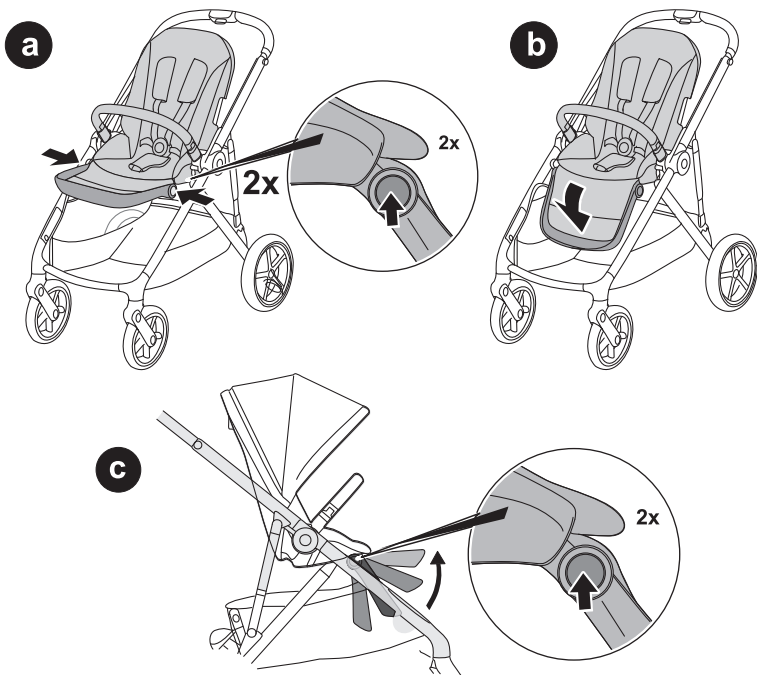
Open the stroller



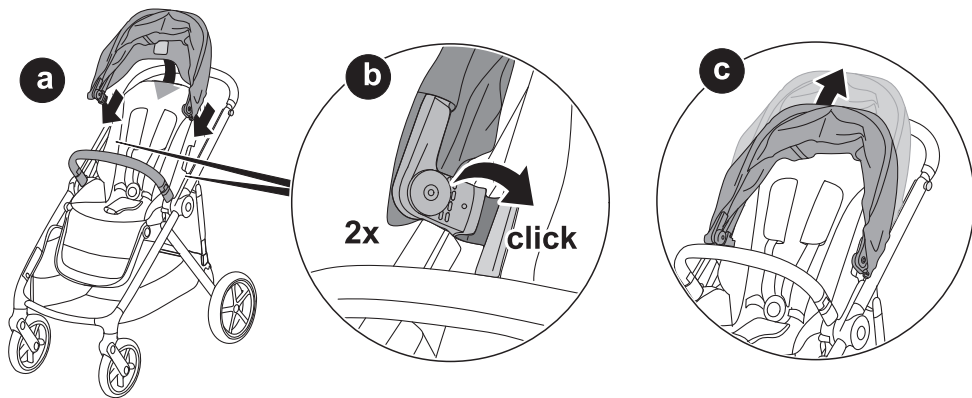
Insert the seat



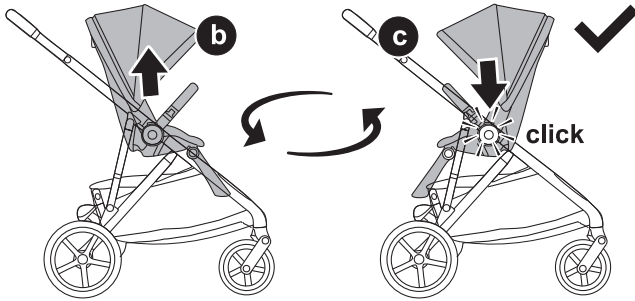
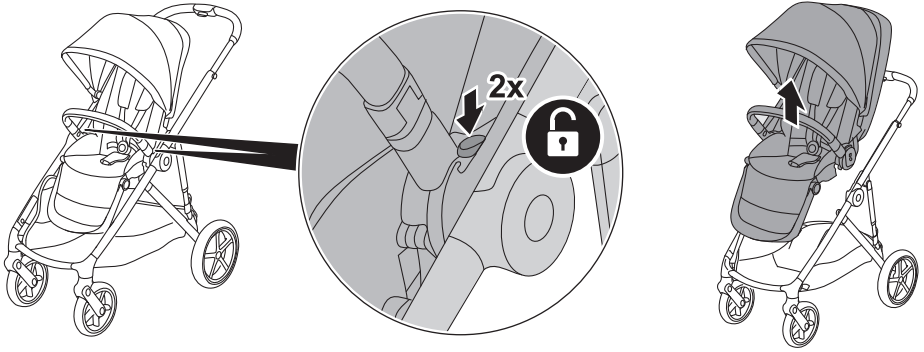
Adjust the foot rest



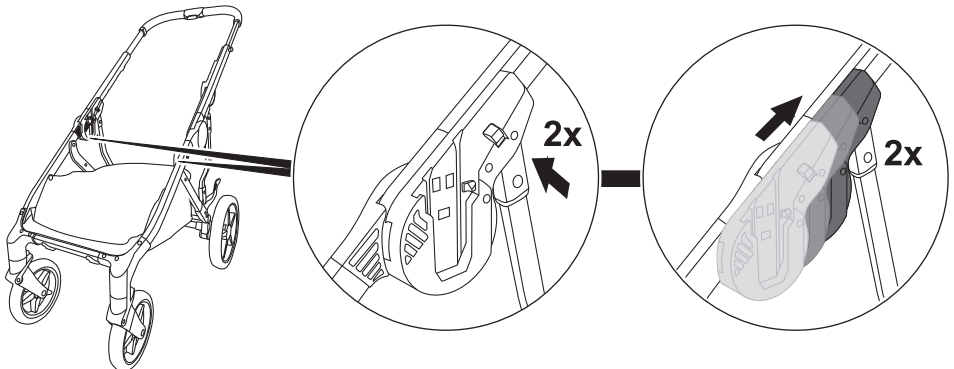
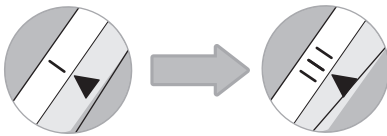
Install the canopy

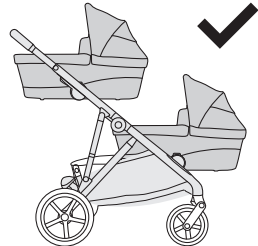
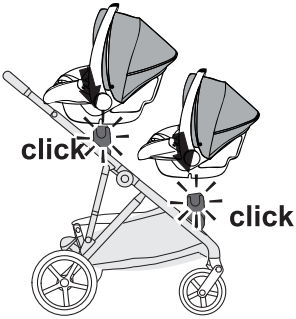
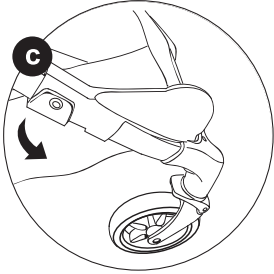
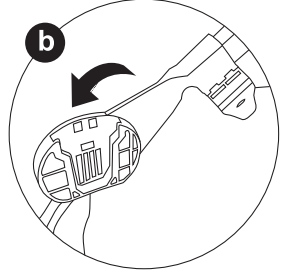
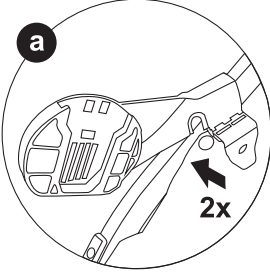


Reversible seat



Double model adaptor

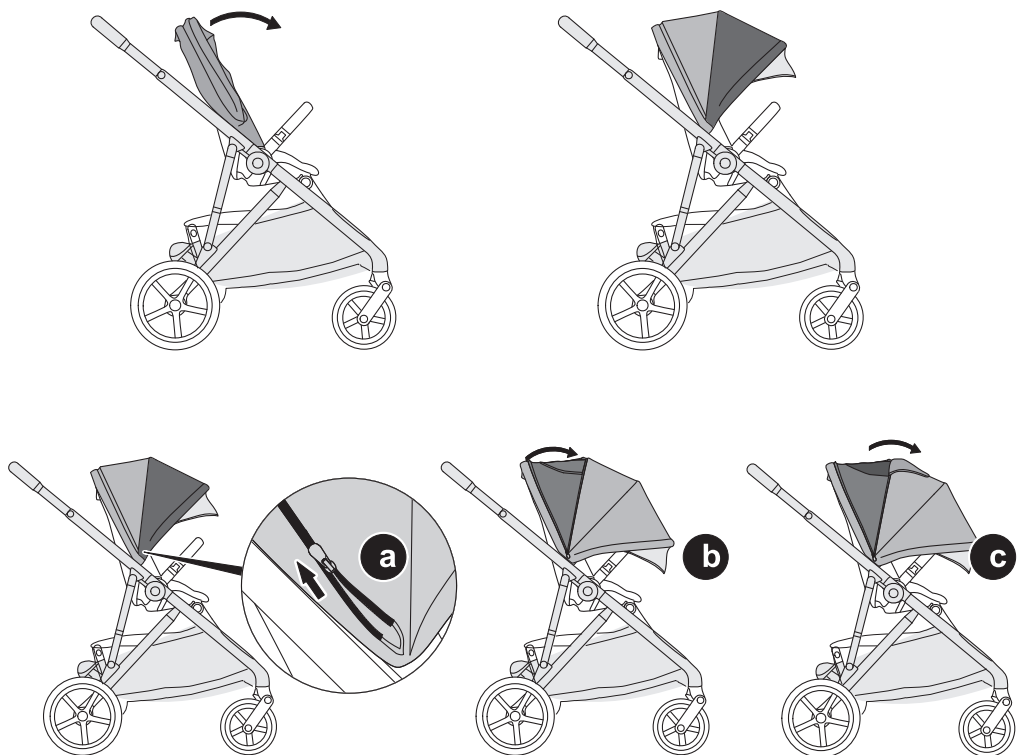




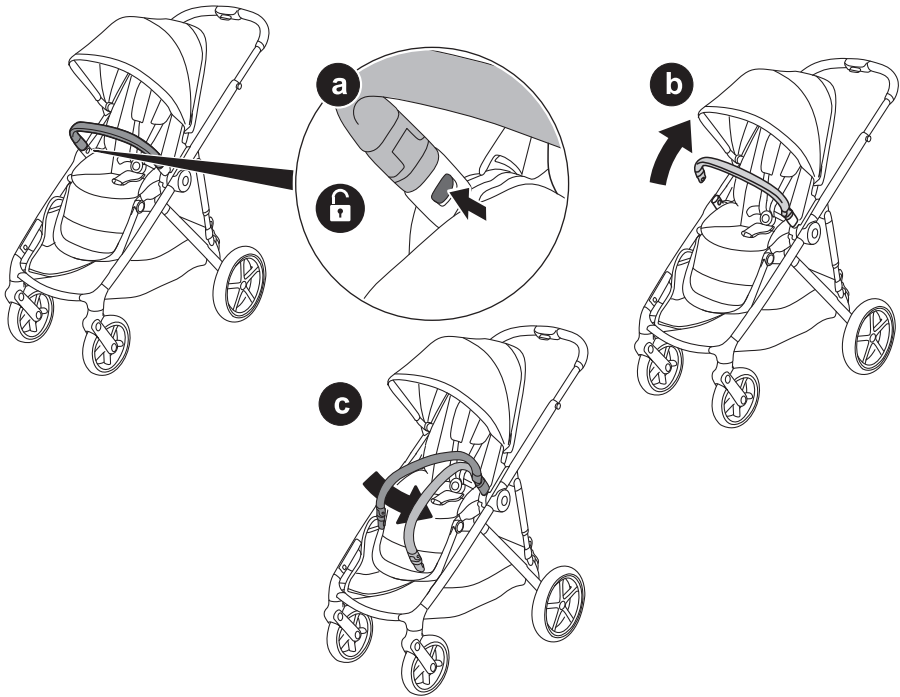
Adjust the seat position



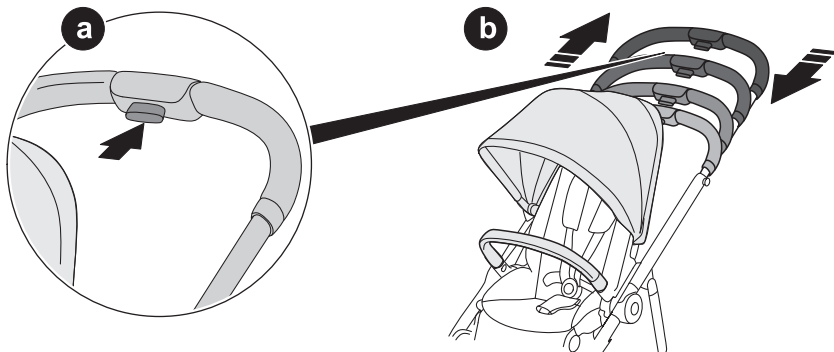
Open the canopy



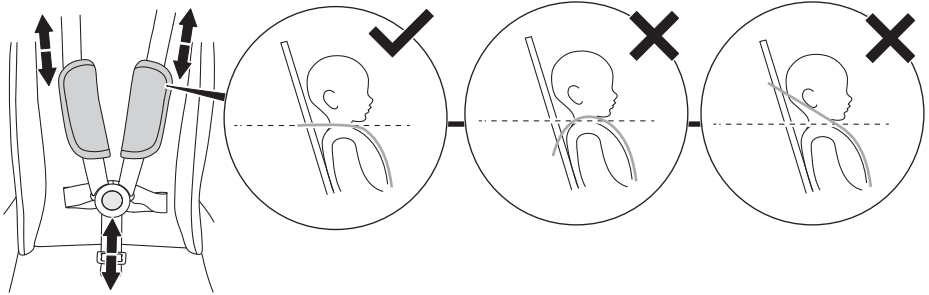
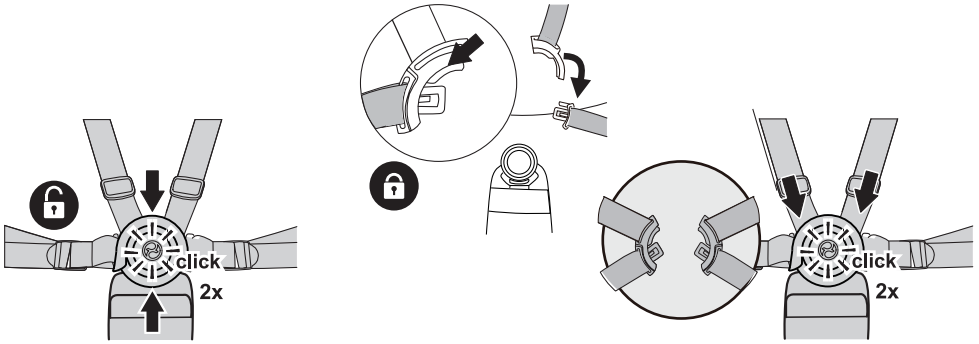
Install & Use bumper



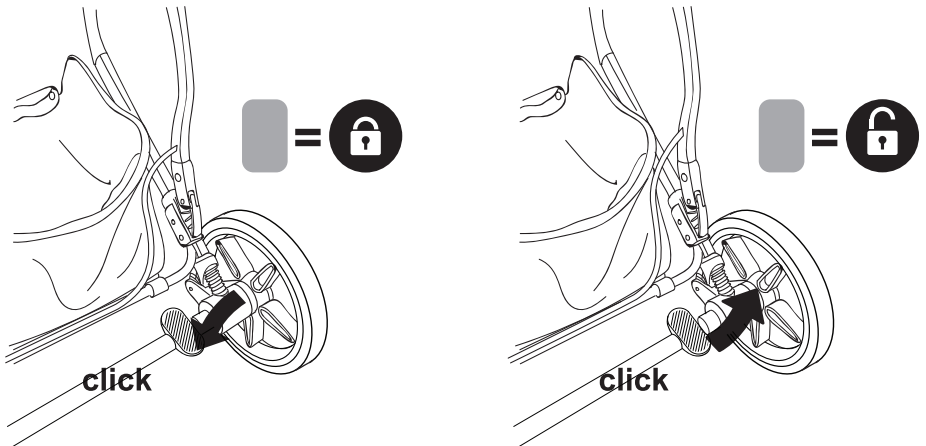
Adjust the handle bar



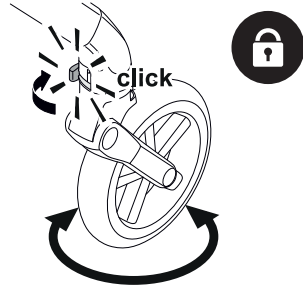
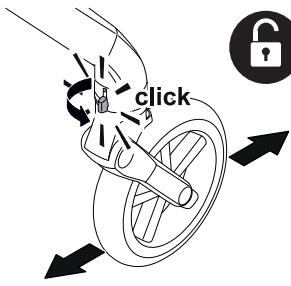
Safety belt operation



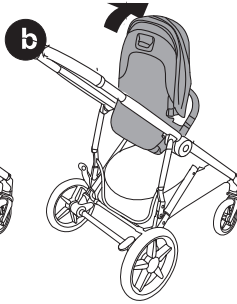
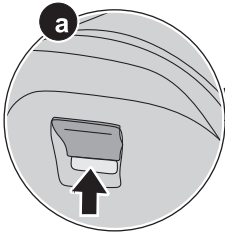
Lock/Unlock stroller



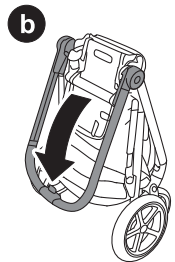
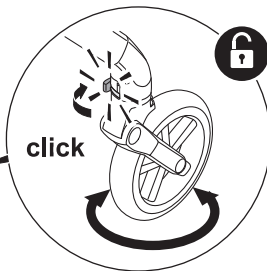
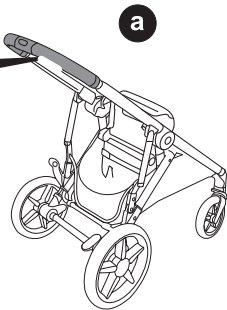
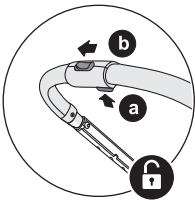
Lock/Unlock front wheels



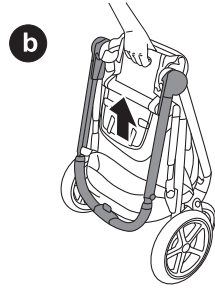
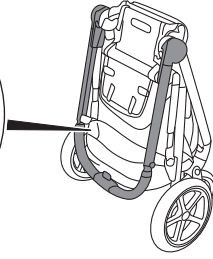
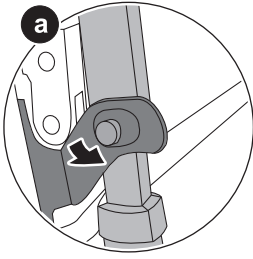
Close the stroller-1



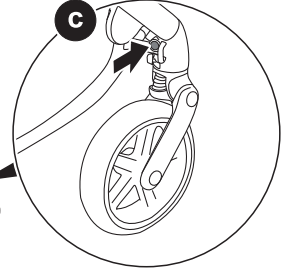
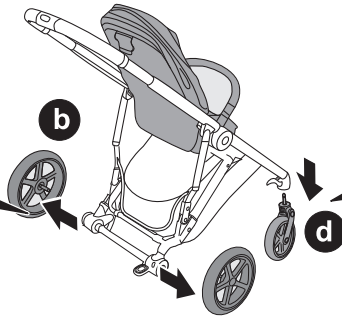
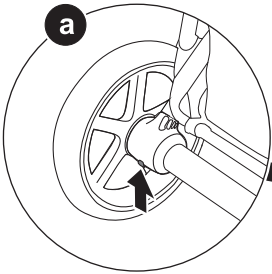
Close the stroller-2



Close the stroller-3

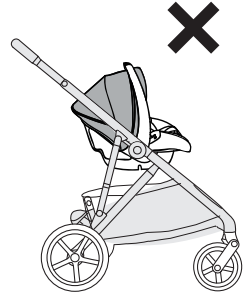
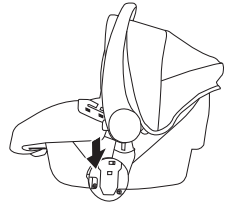
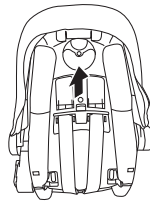
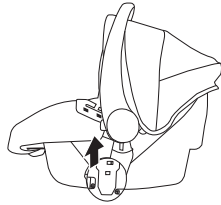
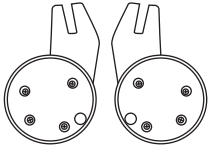


Remove rear wheel

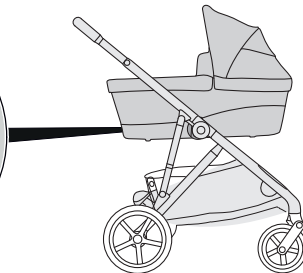
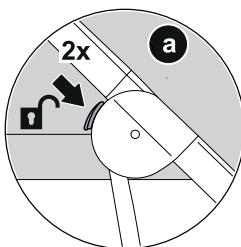


d

Adapt the infant car seat



Adapt the infant carry cot



IMPORTANT! READ THE INSTRUCTIONS AND WARNINGS CAREFULLY AND KEEP THEM FOR FUTURE REFERENCE.

Read these instructions carefully before use and keep them for future reference. Failure to do so could seriously jeopardize the safety of the child. Incorrect assembly can be dangerous. Your child's safety is your responsibility. Stroller to be assembled only by an adult. To prevent the baby from falling and/or sliding out with serious injury risks, always use the safety belts properly fastened and adjusted.

PRODUCT complies to European Standard 1888:1-2:2018 and ECE44 (R44.04).

CARRYCOT is suitable for babies from birth up to 9kgs.

INFANT CAR SEAT (group 0+) is suitable for babies from birth up to 13kgs.

STROLLER

WARNING!

- Plastic bags can be dangerous. To avoid danger of suffocation, keep this bag away from babies and children.
- Never leave your child unattended while in the stroller.
- Ensure that all the locking devices are engaged before use.
- To avoid injury and finger entrapment, ensure that your child is kept away when unfolding and folding this product.
- Do not let your child play with this product.
- This seat unit is not suitable for children under 6 months. Max load is 22kgs.
- Always use the restraint system.
- Check that the pram body, seat unit or car seat attachment devices are correctly engaged before use.
- This stroller isn't suitable for running and skating. Maximum load of the basket is 5 kg.
- Do not add an additional mattress into the stroller.
- Do not use accessories which are not approved by the manufacturer.
- The stroller seats have been designed for one child per seat, only use to transport one child in each seat!
- Only use replacement parts supplied or recommended Mee-Go.
- Any load attached to the handle, the back of the backrest or side of the stroller will affect the stability of the stroller.
- Always engage the brake when placing and removing the children.
- Always use the harness crotch strap in combination with the waist belt.

WARNING!

- Use of the restraint system is not a substitute for proper adult supervision.
- This pushchair may only be used to carry a child.
- Regularly check the product. Do not use if any of the assembled parts are broken, torn or missing.
- The carseat does not replace a cot or a bed. Should your child need to sleep, then it should be placed in a suitable cot or bed.
- The stroller is compatible with the Mee-Go Uno+ carry cot and / or Cosmo i-size carseat from Mee-Go.

CARRYCOT

WARNING!

- This product is only suitable for a child who cannot sit up unaided.
- Only use on a firm, horizontal level and dry surface.
- Do not let other children play unattended near the carrycot.
- Do not use if any part is broken, torn or missing.
- Use replacement parts supplied or approved by the manufacturer.
- Handles and the base should be inspected regularly for signs of damage or wear.
- Be aware of the risk of open fires and other sources of strong heat, such as electric bar fires, gas fires in the near vicinity of the carry cot.
- Do not leave your child unattended.
- Never use the carrycot on a rasied surface.
- Do not add a mattress thicker than 19 mm.
- Never use accessories that have not been approved by the manufacturer.
- This carrycot is designed for children from birth up to 9kgs.
- This product is suitable for a child who cannot sit up by itself, roll over and cannot push itself up on its hands and knees.

CLEANING AND WASHING

Brush the fabric parts to remove dust, metal & plastic parts should be cleaned with a damp cloth and mild detergent. Do not use abrasive agents. Please check on a regular basis that the brakes, wheels, latches, connecting elements, belt systems and seams are properly functional. In case of any damage or irregularities, do not use the product. Do not expose the product to strong sunshine. After use in rain or snow, the wheels should be lubricated and the stroller dried to prevent rust. Care for, clean and check this product regularly. Do not use accessories that have not been approved by the manufacturer. For the proper functioning of the stroller, we recommend regular cleaning and lubrication of all moving parts mechanisms and wheel axles with the appropriate cleaning agents and lubricants.

Contact Mee-go:
Mee-go Ltd
Unit 5, Victoria Mills
Mill Street, Dewsbury
West Yorkshire
United Kingdom WF12 9AQ



www.mee-go.co.uk

mee-go®

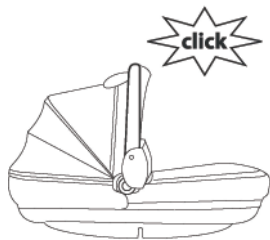
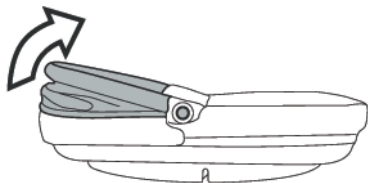
UNO+



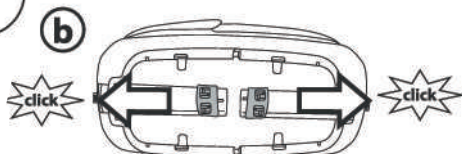
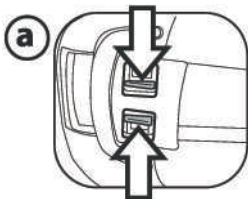
Carry cot

EN1888-2012

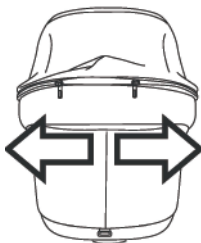
1



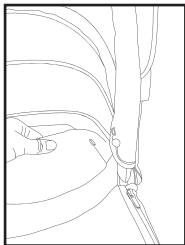
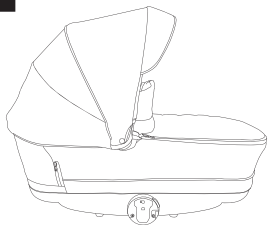
2



3

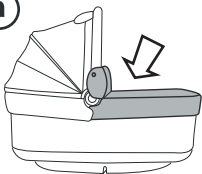


4



5

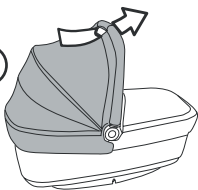
a



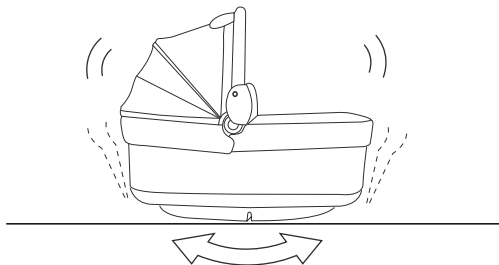
b



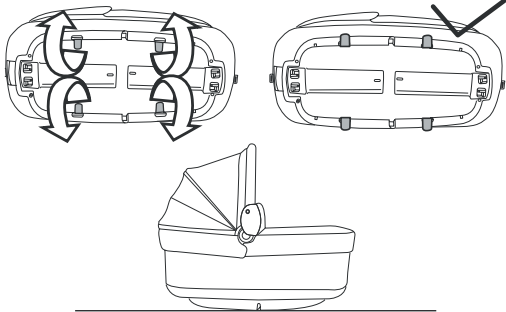
c



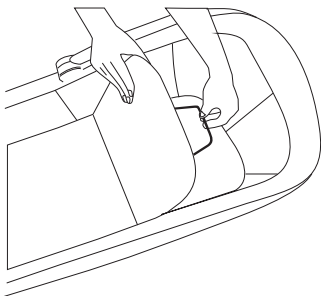
6



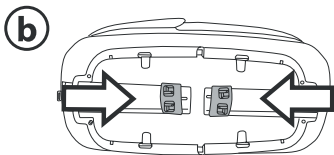
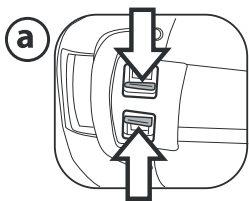
7



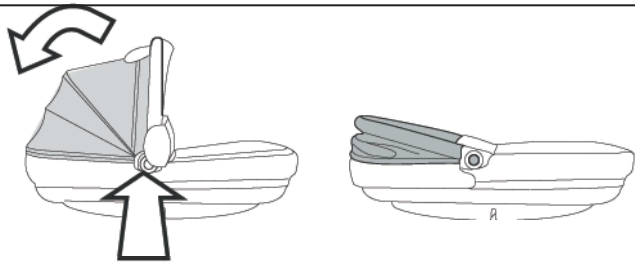
8



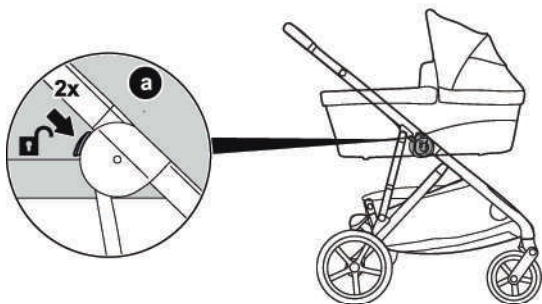
9



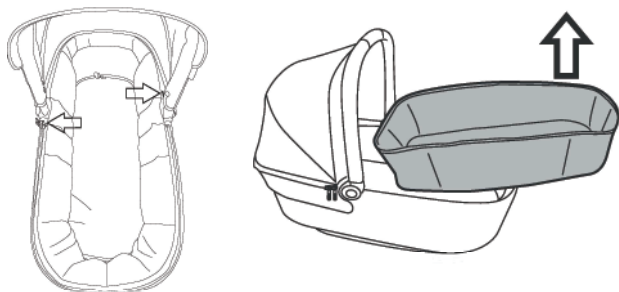
10



11



12



!WARNING

IMPORTANT: Read the instructions carefully before use and keep for future reference.

WARNING: This product is only suitable for a child who cannot sit up unaided.

WARNING: Only use on a firm, horizontal level and dry surface.

WARNING: Do not let other children play unattended near the product.

WARNING: Do not use, if any part is broken, torn or missing.

Only use the replacement parts supplied or approved by the manufacturer.

Do not use the product near heat sources, open flames or dangerous objects that are within reach of the child.

Do not add any mattresses are not approved by the manufacturer.

Before carrying and lifting, make sure that the handle is in the correct position of use.

It could be dangerous to leave your child unattended.

Assembly and preparation of the item must be carried out by adults.

Before use, make sure that all of the attachment mechanisms are connected properly.

Do not insert the fingers into the mechanisms.

It could be dangerous to use accessories which are not approved by the manufacturer.

This product is designed for the children from birth up to a weight of 9 kg.

Take care when adjusting the mechanisms (handle, backrest) with the child present.

Regularly check the handle (or the handles) and the bottom of the carriage to make sure that there are no signs of breakage or damage.

Instructions for use:

1. **OPENING THE CARRYCOT:** Turn the handle of carrycot upwards.
2. To open and lock the base in the open position, move the sliders from the centre of the base towards the two extremities (fig. a) until they click into place (fig. b).
3. **HOOD:** On the opening zip, a mesh insert allows the parent to monitor the baby (fig. a).
4. **COVER:** Place the cover over the carrycot; then fasten the zip around.
5. **HANDLE:** The handle can be locked in the vertical position (fig. a). To lower the handle, press the two side buttons simultaneously and push it downwards (fig. b). The handle can be used to carry the carry cot and fasten it onto the stroller (fig. c).
6. **ROCKING POSITION:** The base of the carrycot is shaped to allow you to rock your child when placed on a flat surface.
7. **SLEEPING POSITION:** To turn the carrycot into a non-rocking cradle, extract the 4 feet positioned under the base.
8. **ADJUSTING THE BACKREST:** The backrest can be adjusted into 3 positions. To access the recline feature, lift up the mattress and pull the strap to the adjust the bar to the required position.
9. **CLOSING THE CARRYCOT:** The carrycot can be closed to reduce its bulk. Press and push the tabs of the sliders beneath the base of the carrycot (fig. a) and move them simultaneously towards the centre of the base (fig. b).
10. To rotate the handle downwards, press the two side buttons simultaneously and push to rotate.

Carrycot assembly onto the stroller chassis:

11. The carrycot can be fixed onto the stroller chassis.

First lift up the carrycot and position it so that the connectors on the carrycot line up with the stroller connection points. Press down with handle until you hear a "Click".

Always enable the brake on the stroller before fastening and unfastening the carry cot to the chassis.

Ensure the carrycot is properly fastened.

To release it, pull the lever out (arrow _a) and lift the carrycot upwards.

Removing the padding:

12. To remove the padding from the carrycot:

- Release the cover and remove it
- Inside the carrycot you will see two zips running around the top edge. Open both zips to remove the padding.

Padding cleaning instructions:

Brush the fabric parts to remove dust and hand wash at a maximum temperature of 30° without wringing.

Do not use chlorine bleach.

Do not iron.

Do not dry clean

Do not remove stains with solvents and do not tumble dry.

Product cleaning:

This product requires a small amount of maintenance.

Cleaning and maintenance must only be carried out by adults.

Keep all moving parts clean and if necessary lubricate them with light oil.

Clean the plastic parts periodically with a damp cloth. Do not use solvents or similar substances. Brush the fabric parts to remove dust.

Protect the product from atmospheric agents: humidity, rain or snow. Extended exposure to sunshine can cause colour of the product to change.

Store the product in a dry environment.

**Contact Mee-go:**

Mee-go Ltd

Unit 5, Victoria Mills

Mill Street, Dewsbury

West Yorkshire

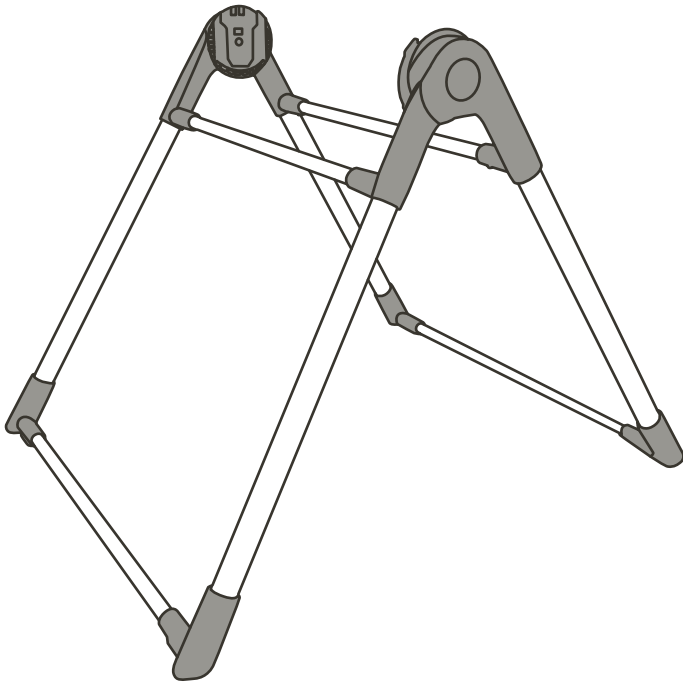
United Kingdom WF12 9AQ



www.mee-go.co.uk

mee-go®

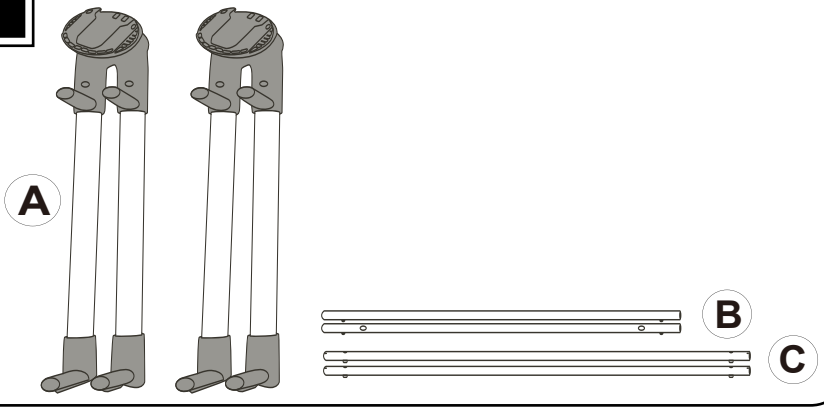
UNO+



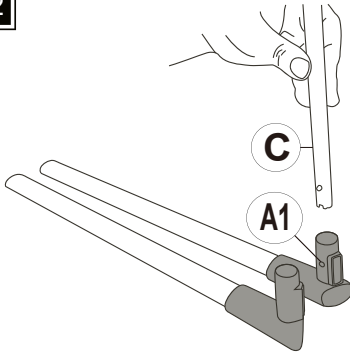
Stand for Carrycot

EN1466:2014/AC:2015

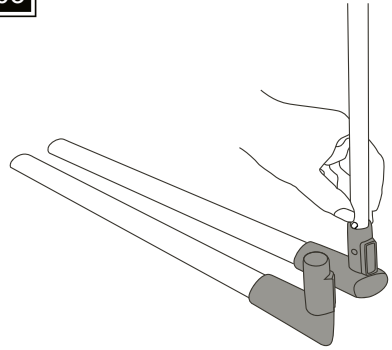
01



02

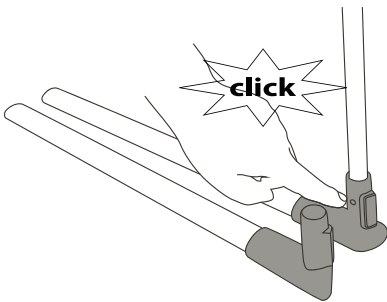


03

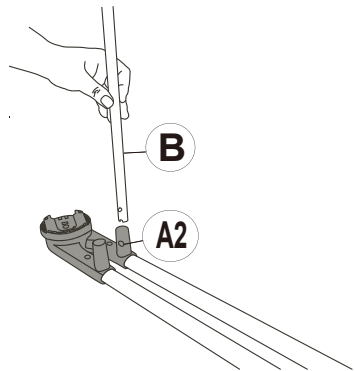


04

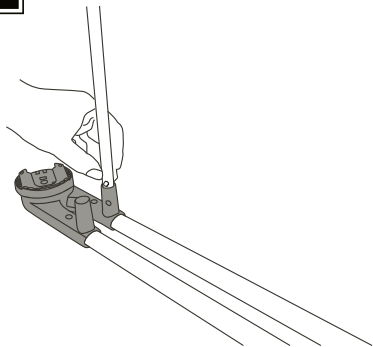
2x



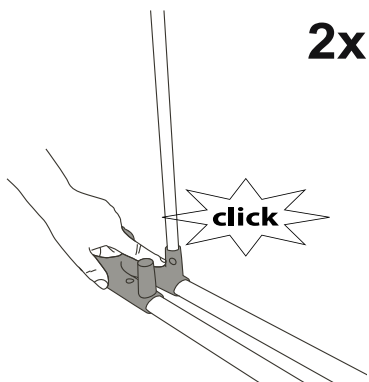
05



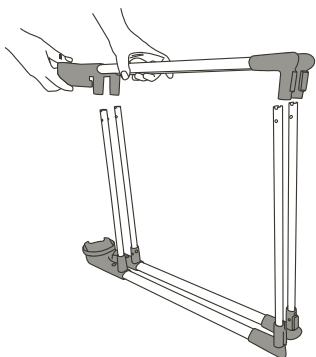
06



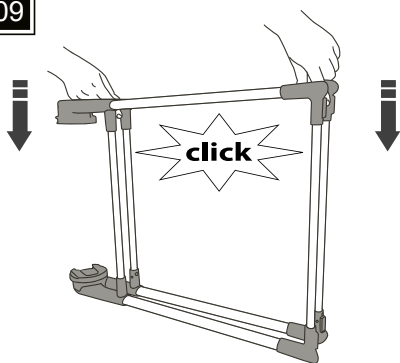
07



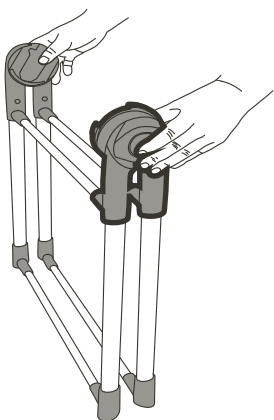
08



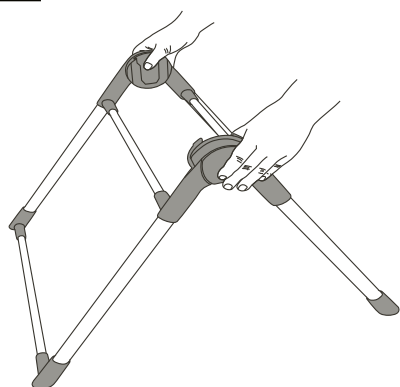
09



10



11





WARNING

• IMPORTANT:

READ CAREFULLY AND KEEP FOR FUTURE REFERENCE

- **FAILURE TO FOLLOW THESE INSTRUCTIONS CAN JEOPARDISE THE SAFETY OF YOUR CHILD**
- **YOUR CHILD'S SAFETY IS YOUR RESPONSIBILITY.**
- **WARNING! NEVER LEAVE YOUR CHILD UNATTENDED, WHEN USING THIS PRODUCT: IT CAN BE DANGEROUS.**
- **PAY UTMOST CARE WHEN USING THIS PRODUCT.**

WARNING:

1. This product is only suitable for a child who cannot sit up unaided.
2. Only use for children that weigh less than 9KG.
3. Only use on a firm ground which is horizontal, level & dry.
4. Do not let other children play unattended near the carrycot and stand.
5. Do not use if any part of the stand is broken, torn or missing.

SAFETY:

1. Before using the product, ensure that the carrycot or carseat is correctly attached onto the stand.
2. **DANGER OF FALLING!** The child's movements can make the stand slip, never place it on high surfaces such as tables, worktop, bed etc.
3. **DANGER OF SUFFOCATION!** Never place the stand with the carrycot or carseat attached, onto beds, armchairs or other soft surfaces: it could overturn & suffocate the child.

4. DANGER! The use of the stand with the carrycot or carseat on sloping surfaces reduces the stability of the product.
5. Only use the supplied mattress when the carrycot is used on the stand, do not add an extra mattress.
6. Before assembly, ensure that the product and all of its components have not been damaged during transport. Should this be the case, do not use the product and keep it out of reach of children.
7. For the safety of your child, remove and eliminate all plastic bags & packaging before use and keep them out of reach of newborns and children.
8. Do not use the product, unless all its components are properly fastened and adjusted.
9. Never place the product close to stairs or steps.
10. Do not insert fingers into mechanisms.
11. Before use, make sure that the product is fully open and that all locking and safety devices are properly engaged.
12. Be aware of the risks related to open flames or other heat sources, such as radiators, fireplaces, electric and gas stoves, etc. do not leave the product close to these heat sources.
13. Make sure that all possible risk sources (for example cables, electrical wires etc.) are kept out of reach of the child.
14. Never leave the product with child inside in places where ropes, curtains or other objects can be used by the child to climb up or cause choking or strangling hazards.

INSTRUCTIONS

LIST OF COMPONENTS

fig.1

A. Support X2

B. Upper tube X2

C. Lower tube X2

ASSEMBLY

f ig.2-4 Insert one of the two lower tubes (C) into the lower housing (A1) of the support (A). Repeat the same process on the other side.

f ig.5-7 Insert one of the two upper tube (B) into the lower housing (A2) of the support (A). Repeat the same process on the other side.

f ig.8-9 When all of the four tubes are assembled onto the support, push downwards on the housing connectors until you hear a CLICK to indicate correct fastening.

OPENING AND CLOSING

fg.10-11 Press both buttons on the side joints simultaneously, then open the stand legs apart until you hear a CLICK.

To close the stand, press both buttons on the side joints simultaneously, and push the stand legs together.

CLEANING & MAINTAINING THE PRODUCT:

1. This product requires regular maintenance by the user. Regularly inspect the product and do not use if any part is broken, torn or missing.
2. Never force any mechanisms or moving parts; if in doubt, check the instructions.
3. Do not store the product if it is wet and do not leave it in humid environments as mildew may form.
4. Store in product in a dry place.

Contact Mee-go:

Mee-go Ltd
Unit 5, Victoria Mills
Mill Street, Dewsbury
West Yorkshire
United Kingdom WF12 9AQ



www.mee-go.co.uk