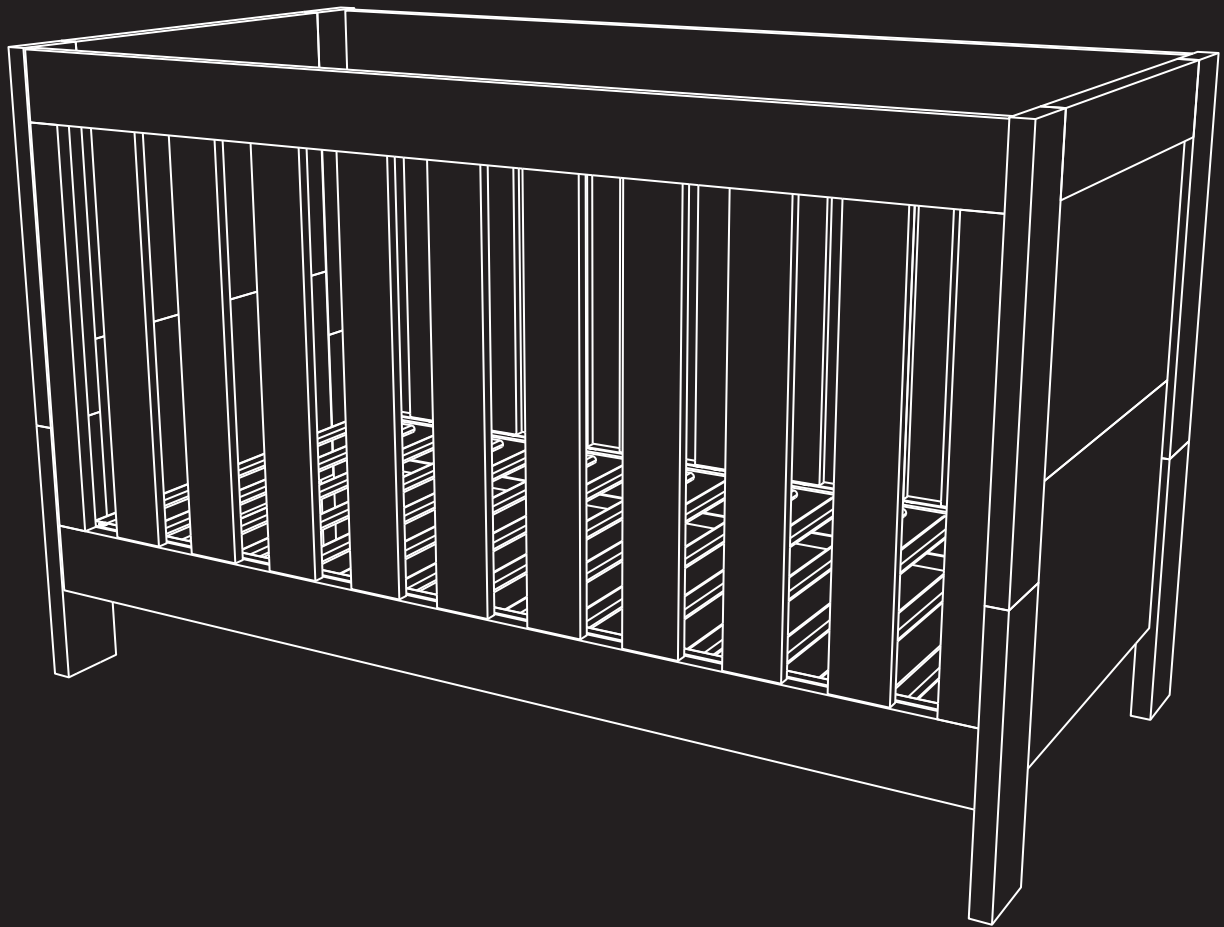


VENICCI®  
HOME

# Forenzo

## Cot bed



Assembly instruction

DO NOT DRAG  
2 MAN LIFT



Important: retain for future reference

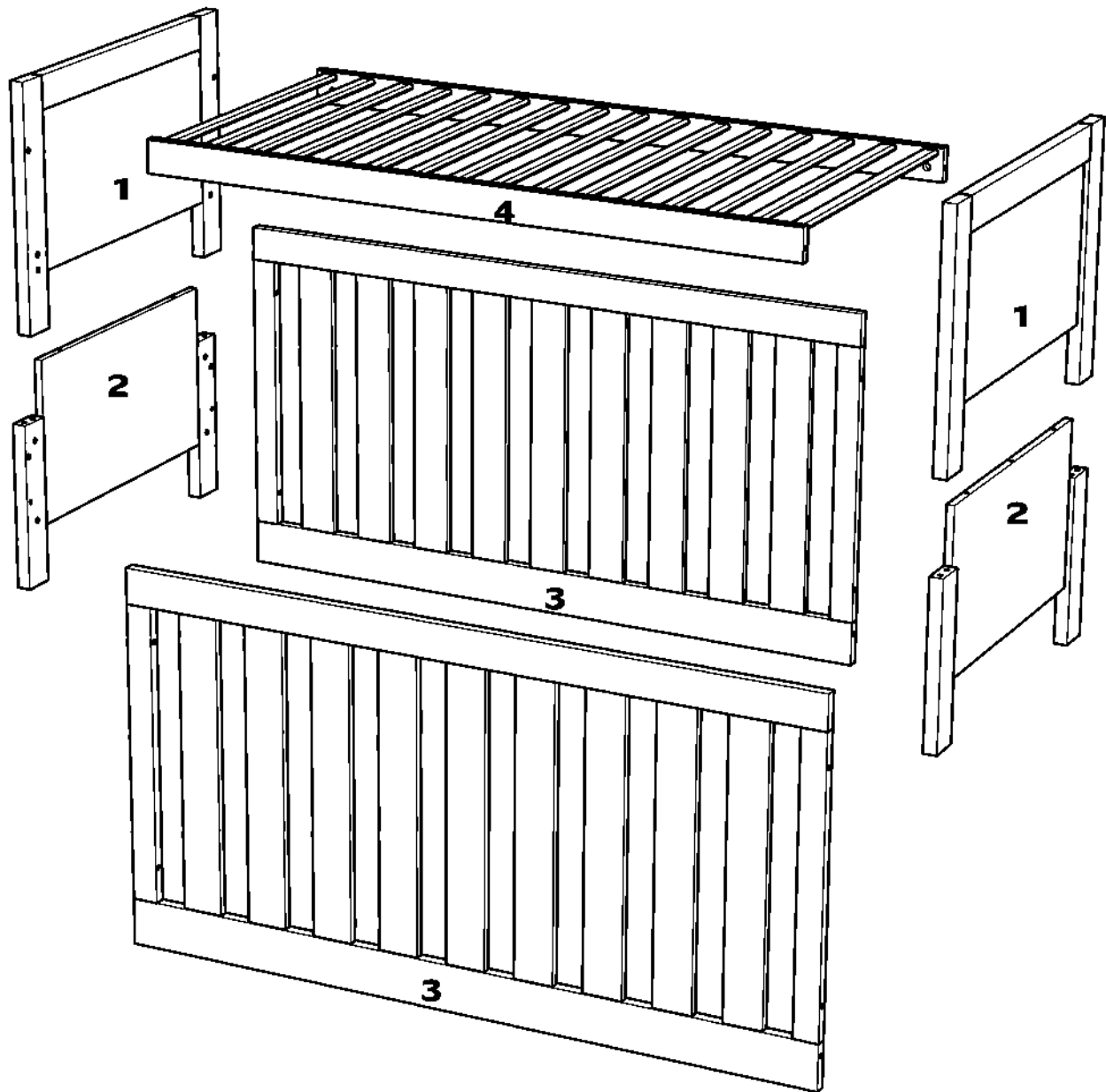
Read carefully




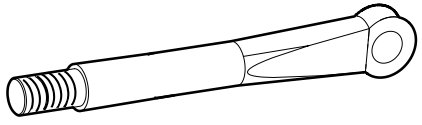
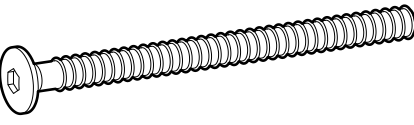
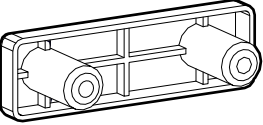
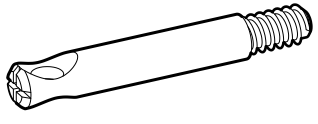
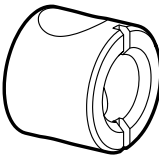

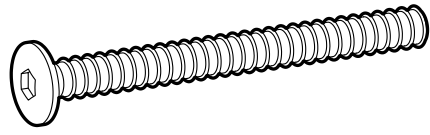
IND.4021796


## BEFOR ASSEMBLY

### MAIN COMPONENTS

- unpack all the parts and identify them against the fitting and components list.
- do not discard any packaging until you have checked that you have all parts as shown below.
- you may find the construction of your dresser easier if you have the help of another person.
- crosshead screwdriver (not provided).



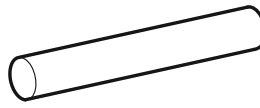
 <p>1000806 x 1</p>	 <p>1005857 x 12</p>	 <p>1005428 x 6</p>
 <p>1126467 x 4</p>	 <p>1005756 x 4</p>	 <p>1000868 x 4</p>
 <p>1125733 x 4</p>	 <p>1125729 x 4</p>	 <p>1125731 x 4</p>
 <p>1006025 x 8</p>		

ARTIKELNUMMER ITEM NUMER ARTIKELNUMMER		4021796	AANTAL QUANTITY ANZAHL	AFTMETINGEN [mm] DIMENSIONS [mm] ABMESSUNGEN [mm]		
1	1/2	2219797	2	924	750	28
2						
3	2/2	2219798	2	1400	786	28
4	1/2	2219799	1	1400	695	70

EN. In case of complain please advise the spare part number.

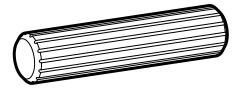
**1**

1005428

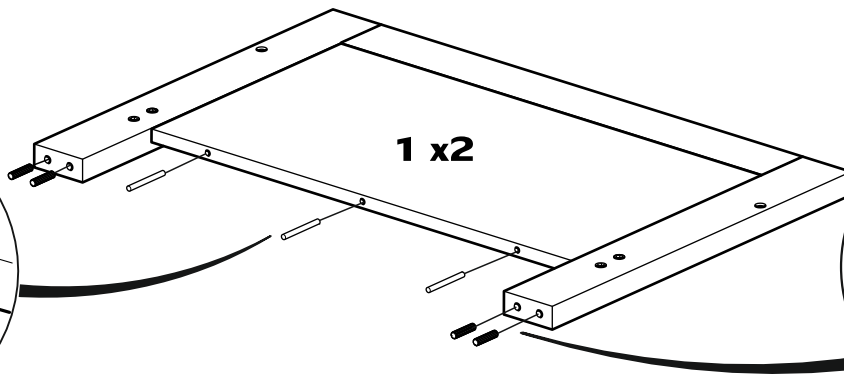
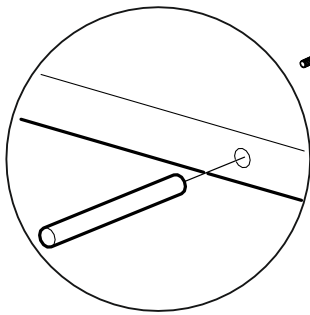


x 6

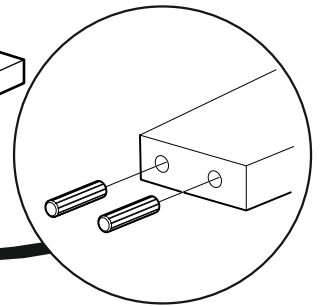
1005857



x 8

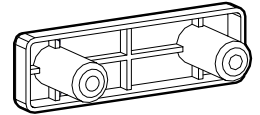


1 x2

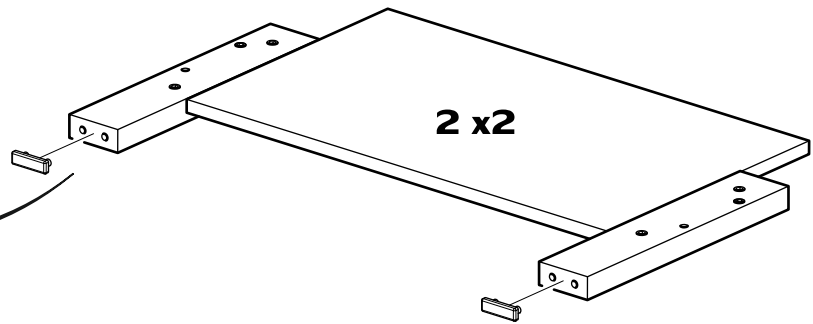
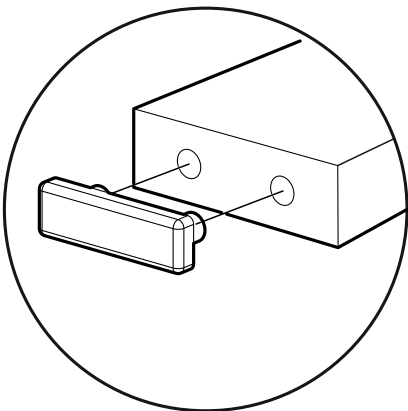


**2**

1000868

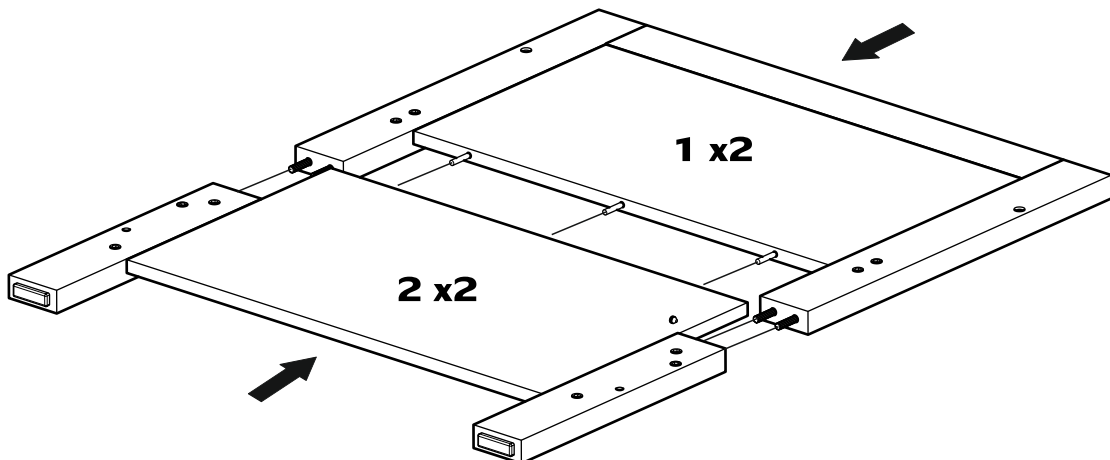


x 4



2 x2

**3**

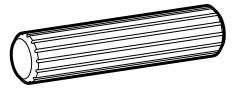


1 x2

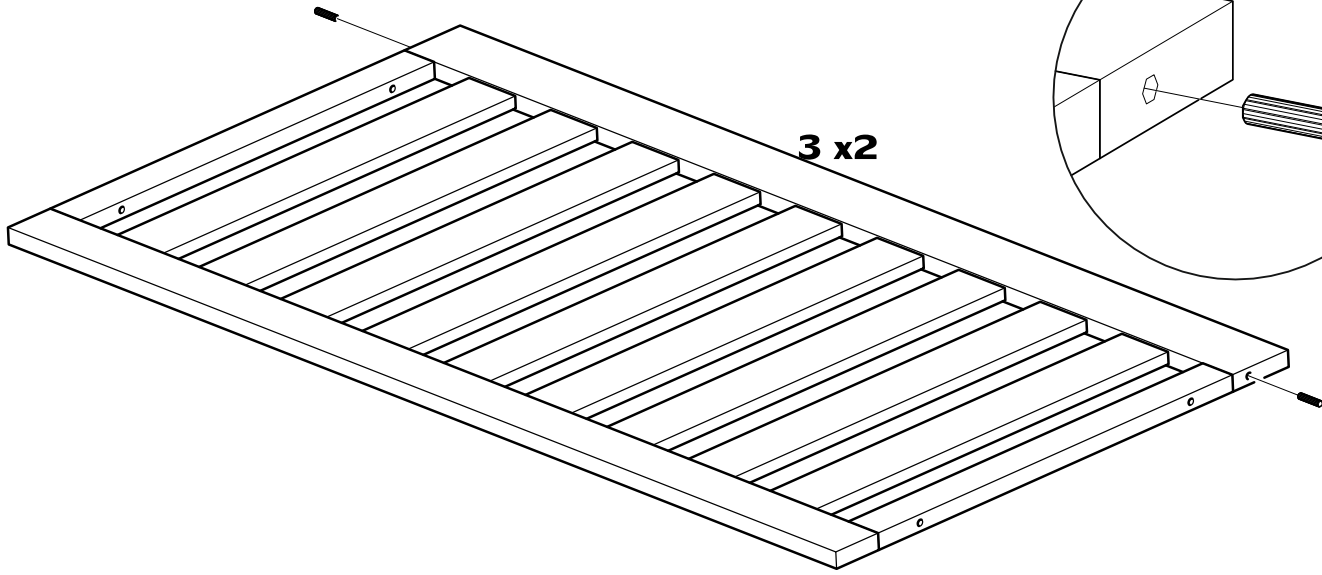
2 x2

4

1005857



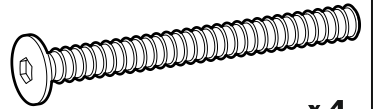
x 4



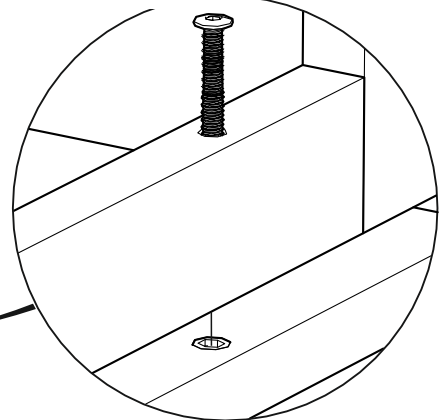
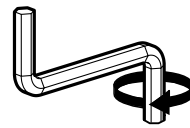
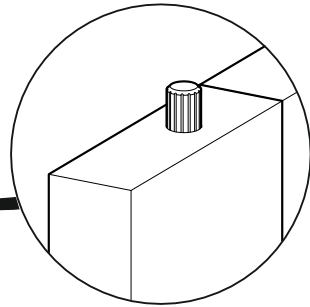
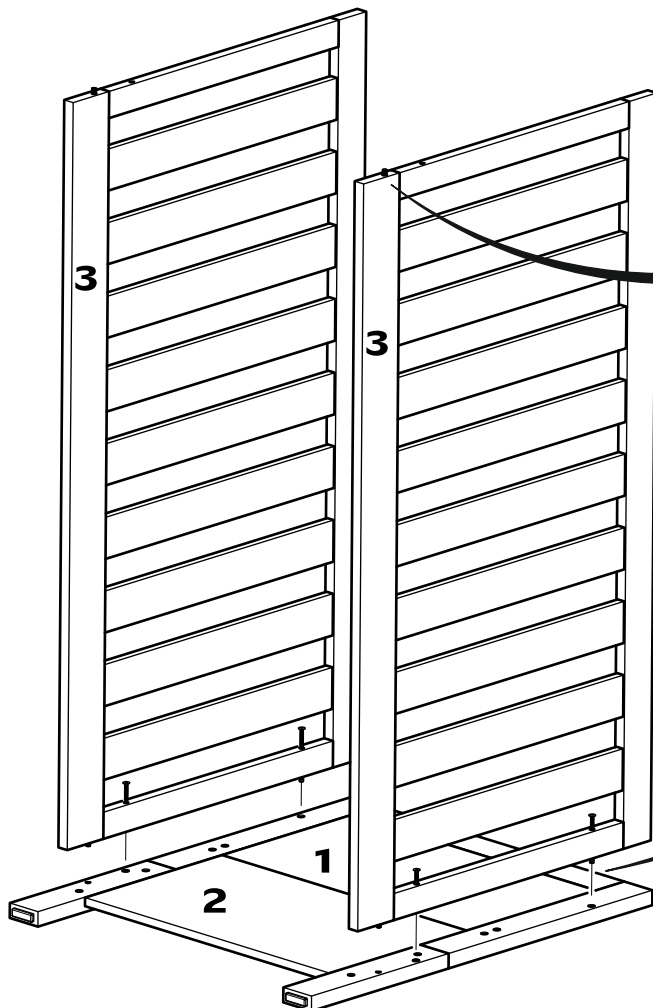
3 x 2

5

1006025

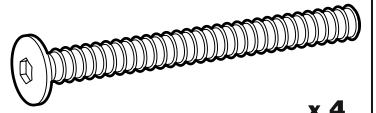


x 4

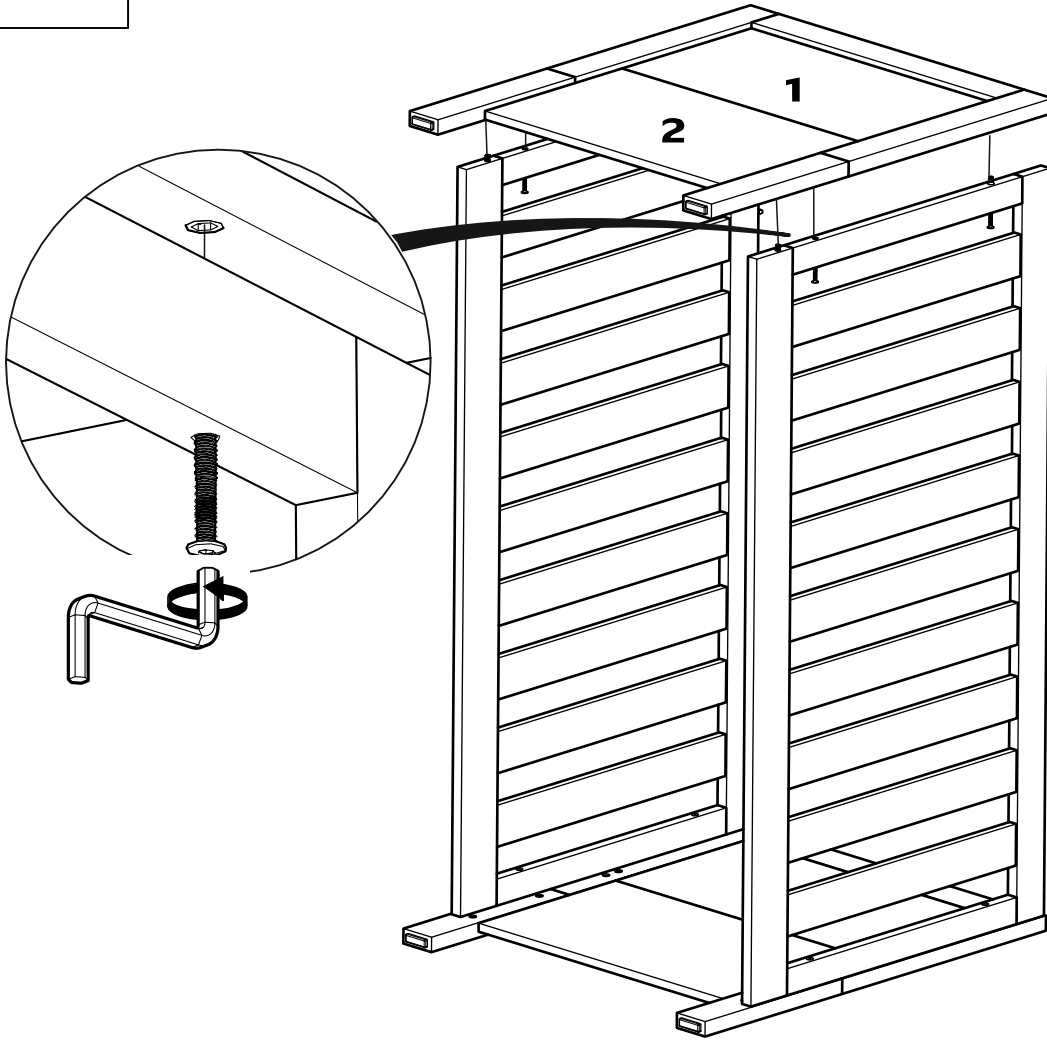


6

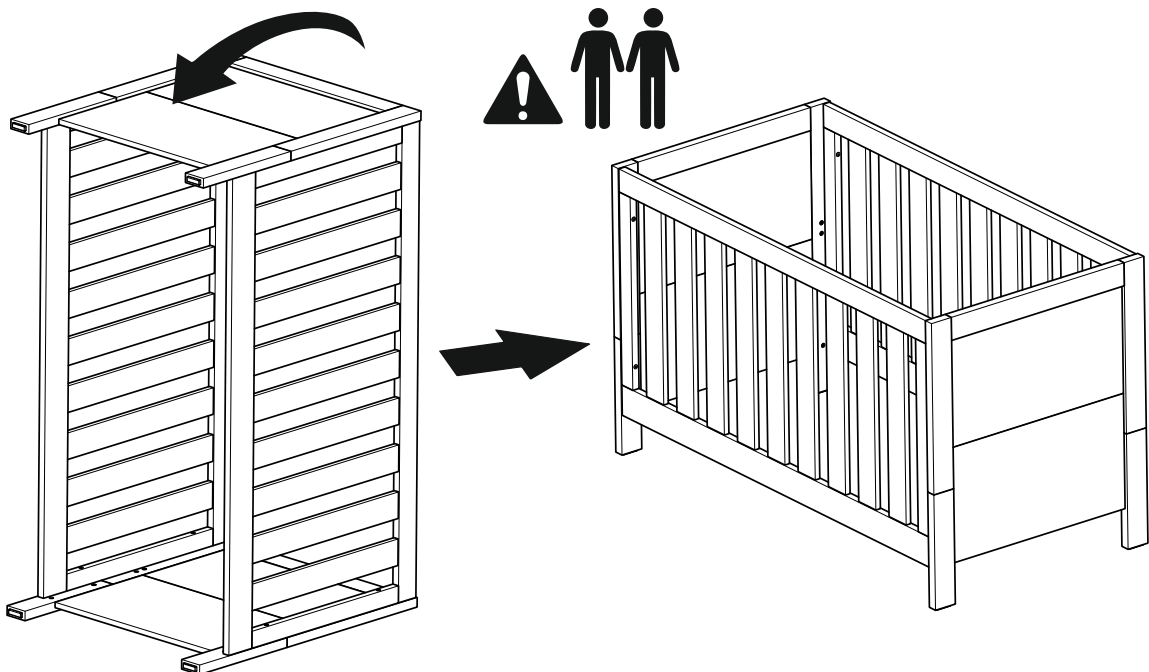
1006025

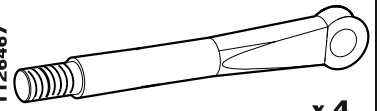


x 4



7



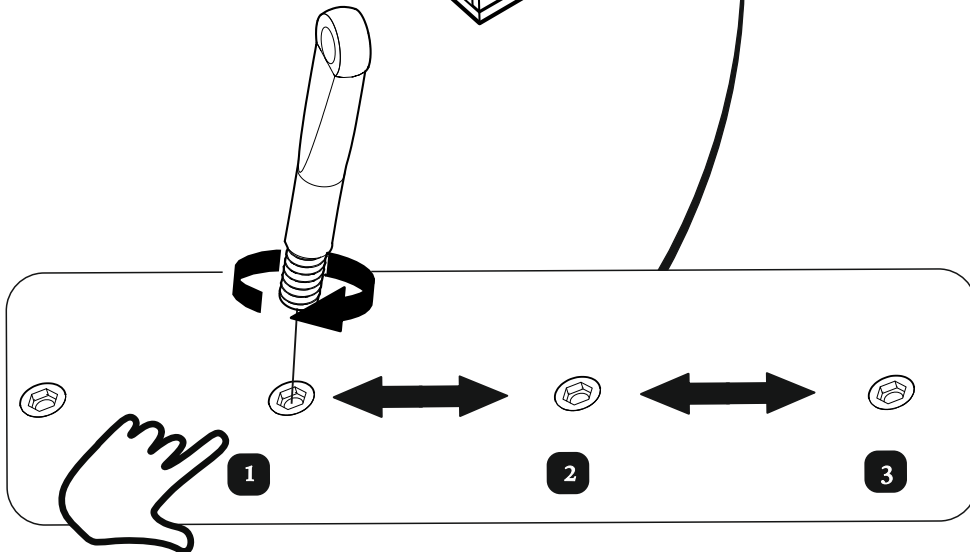
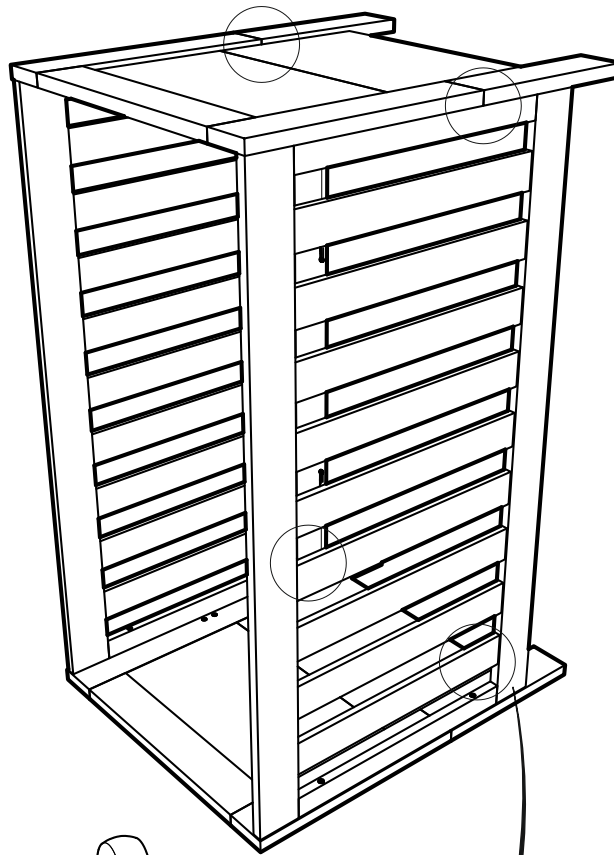
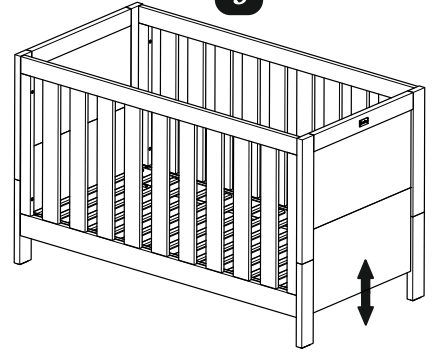
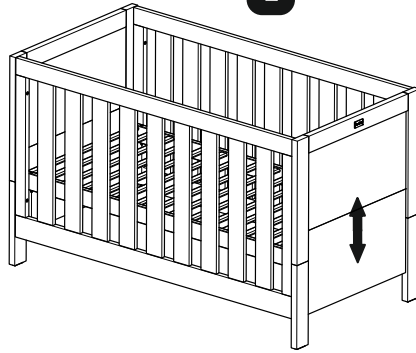
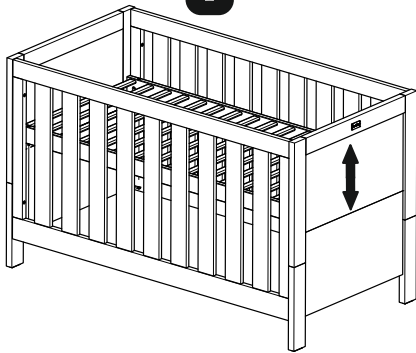


i

1

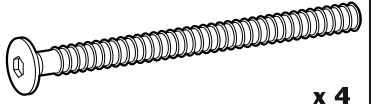
2

3

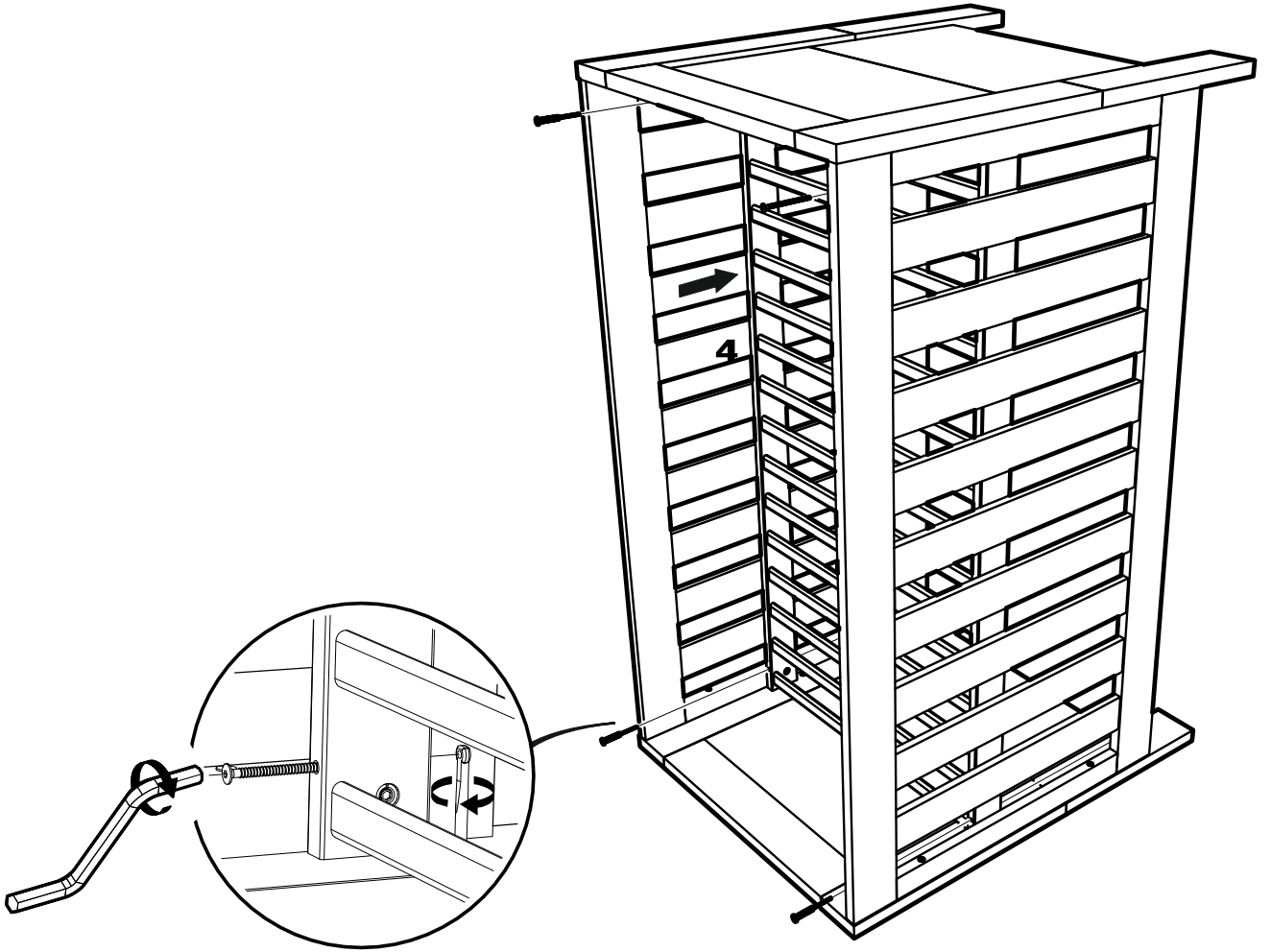


9

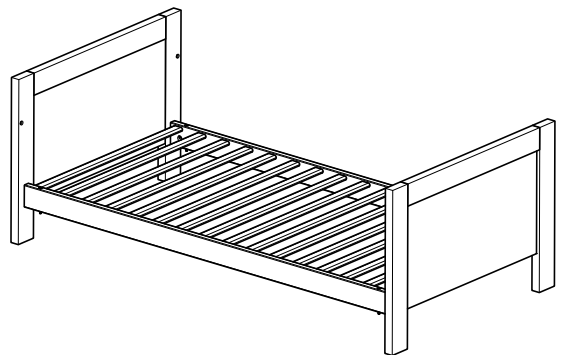
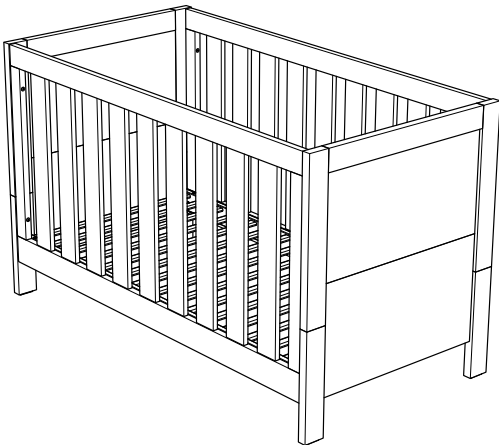
1005756



x 4

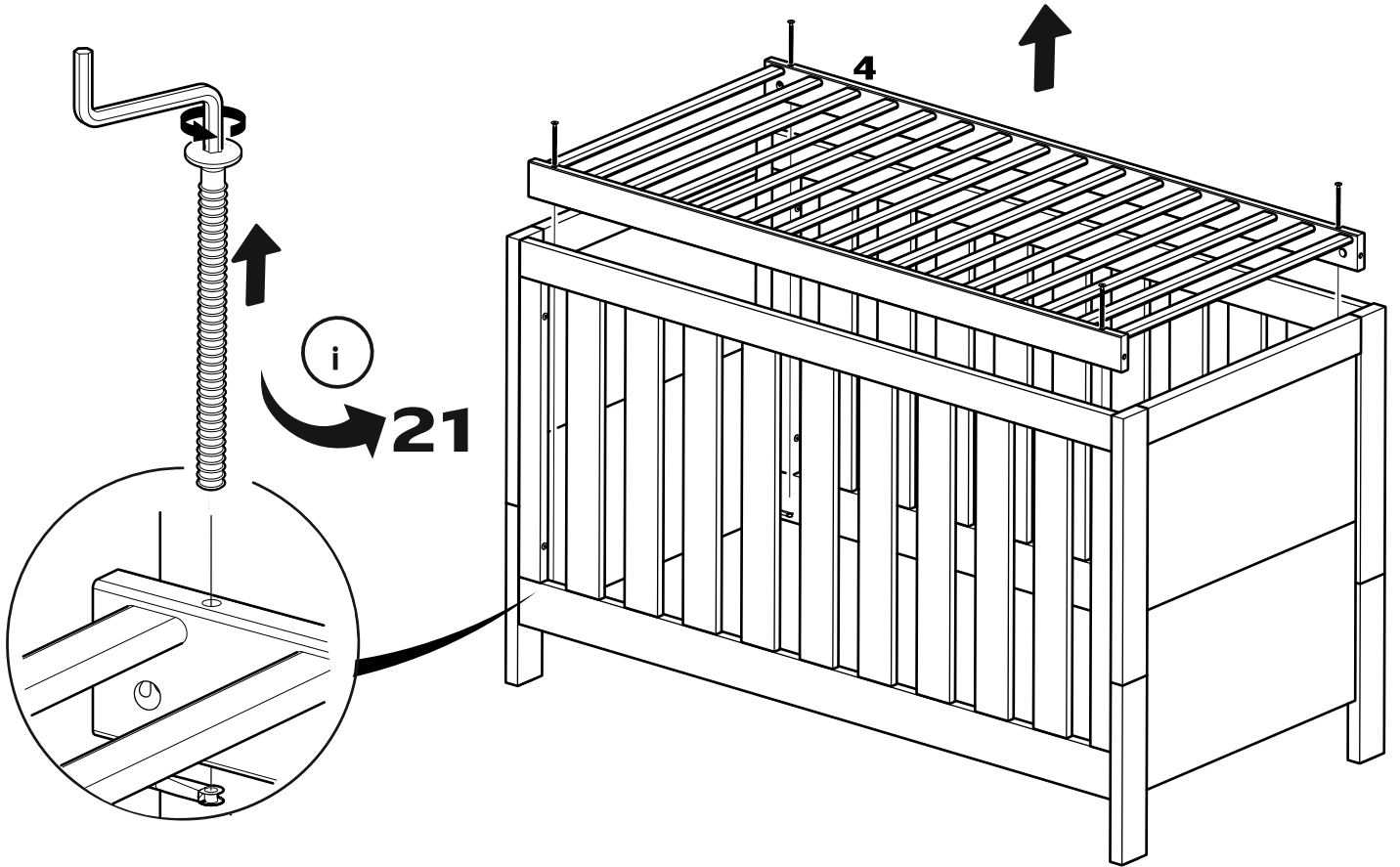


i

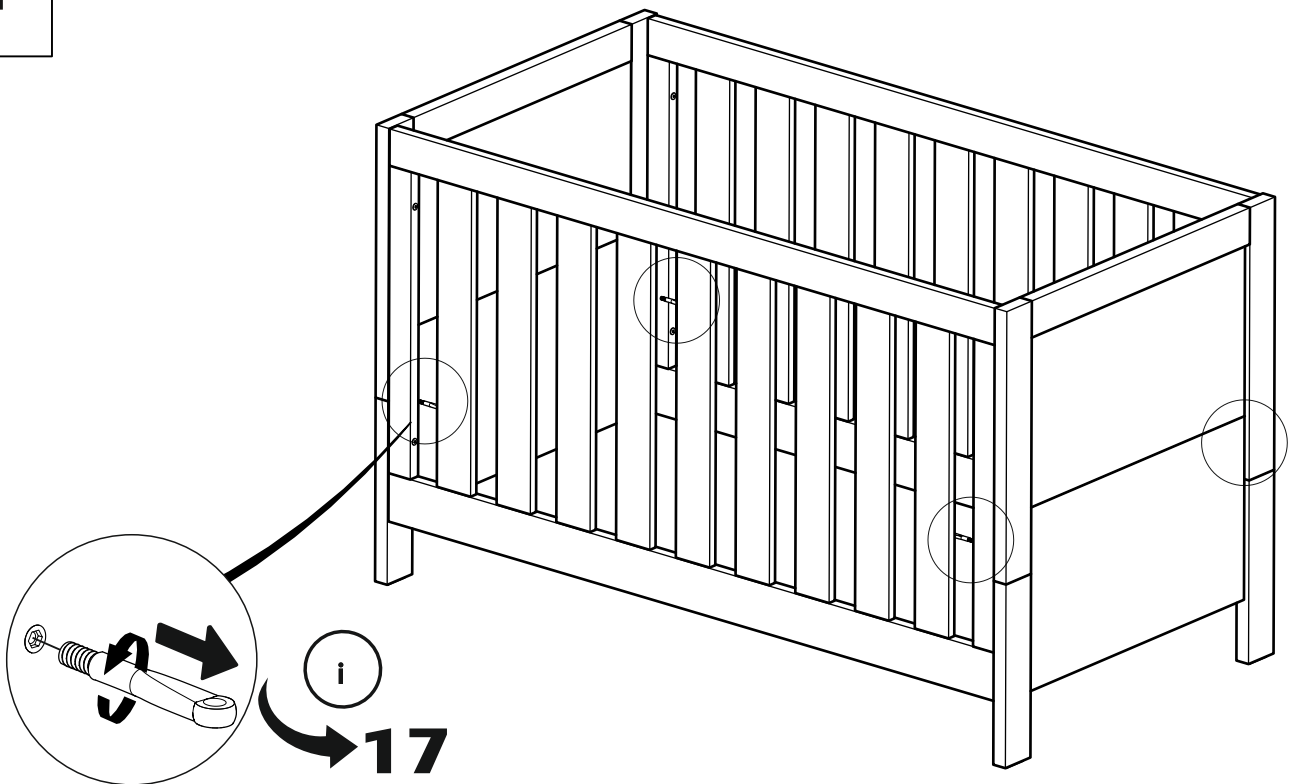




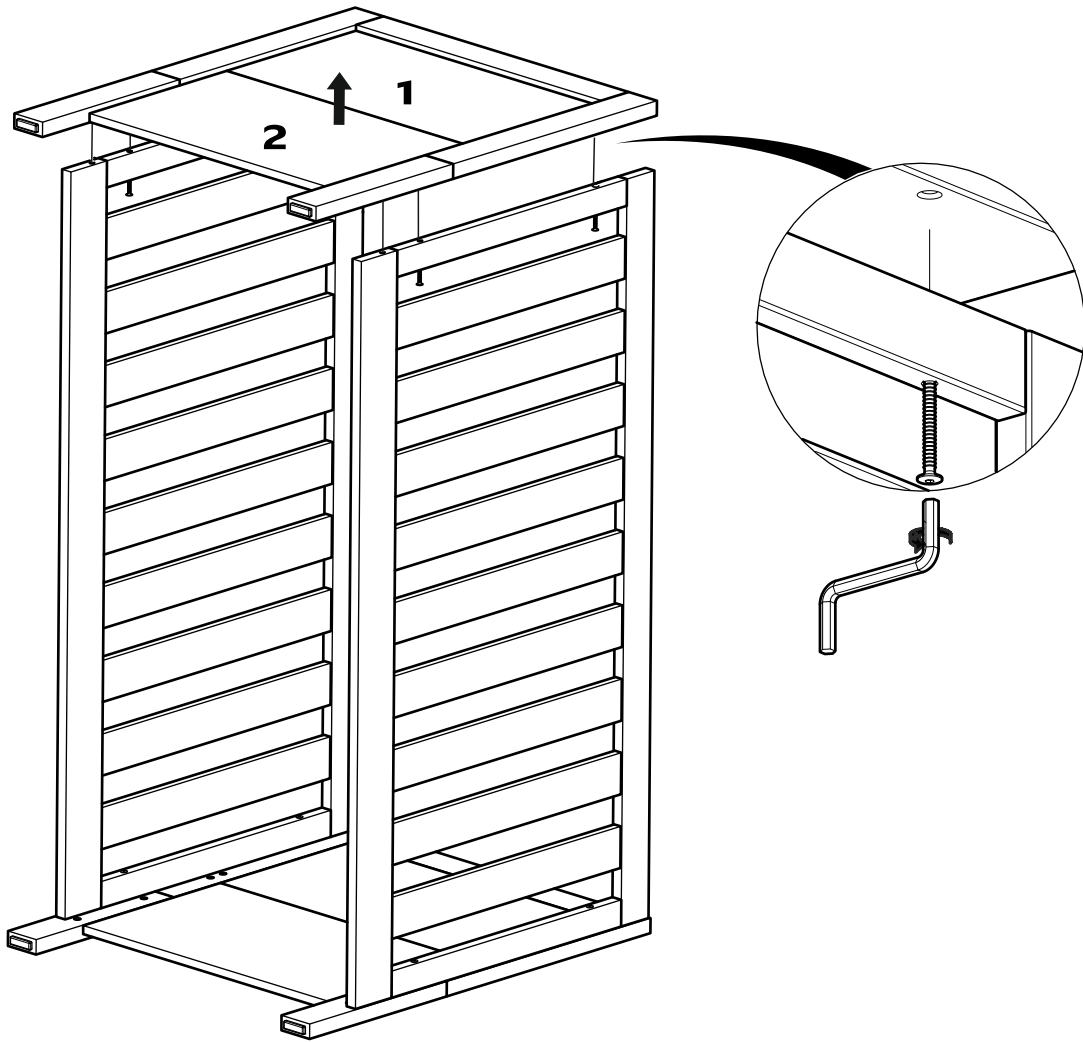
10



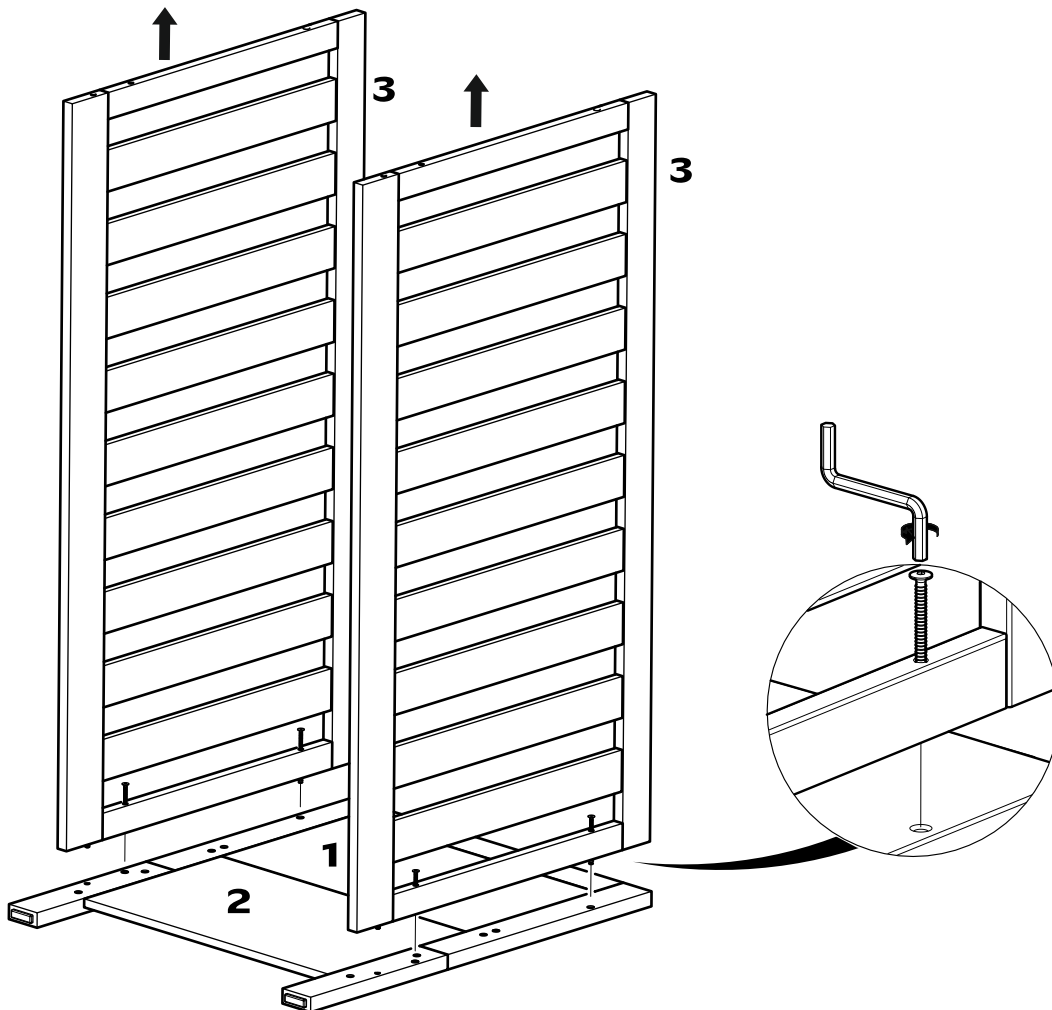
11



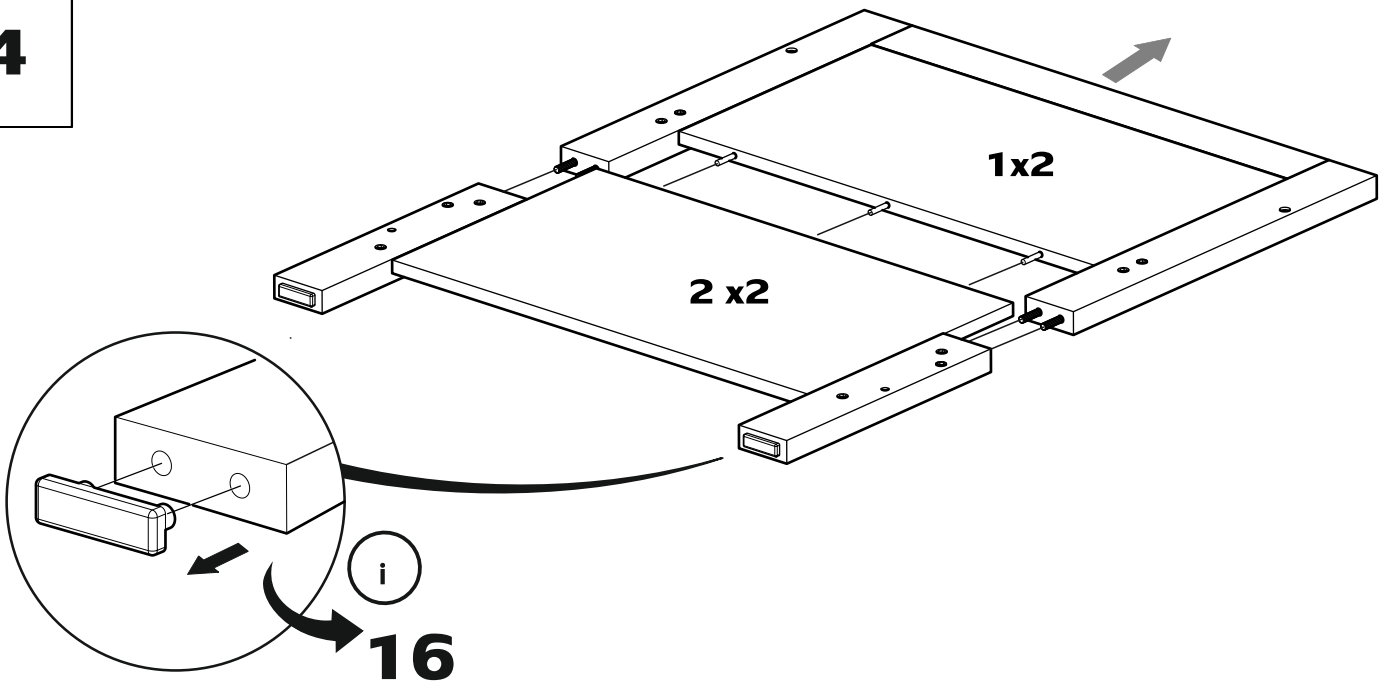
12



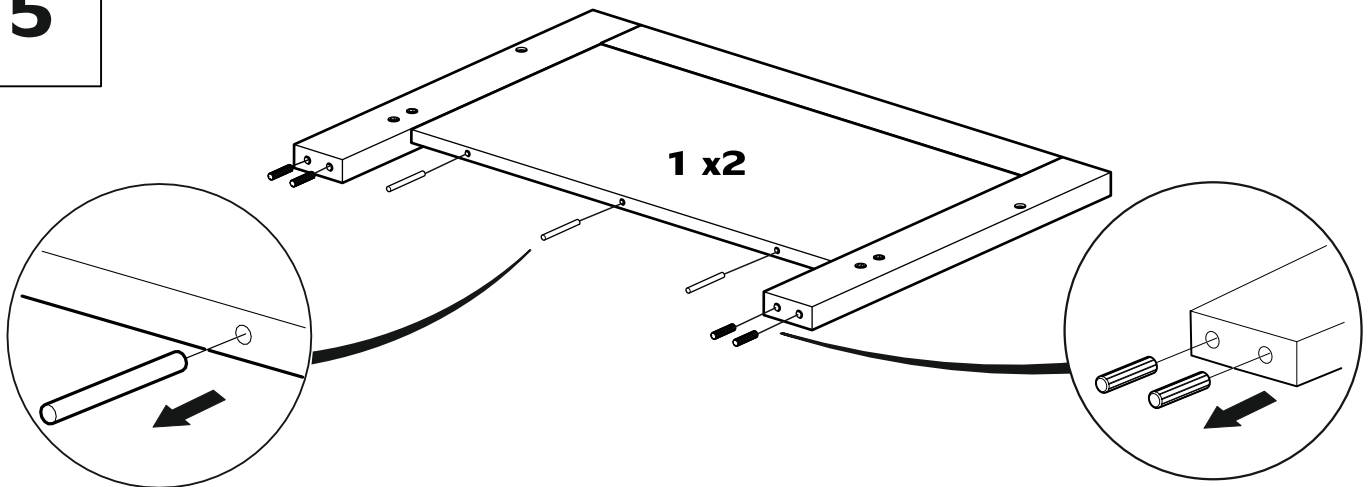
13



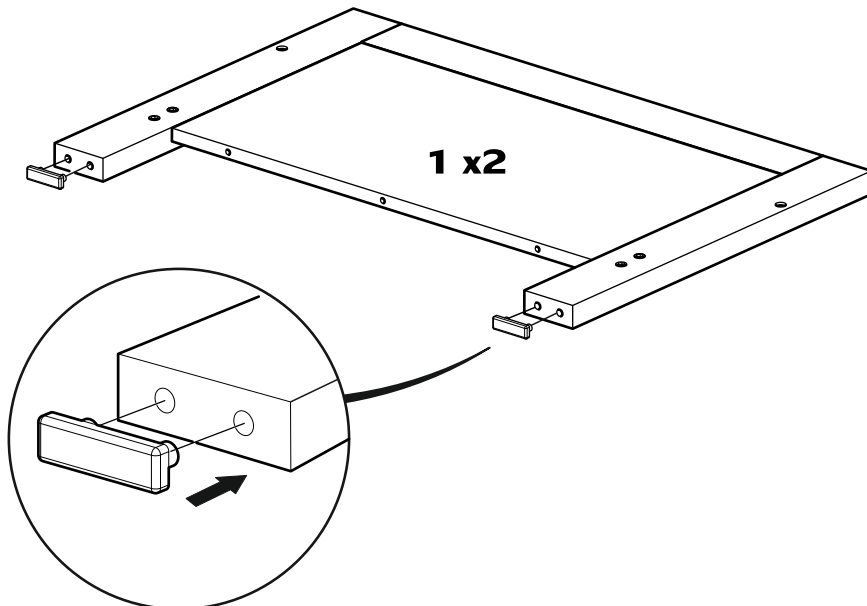
14



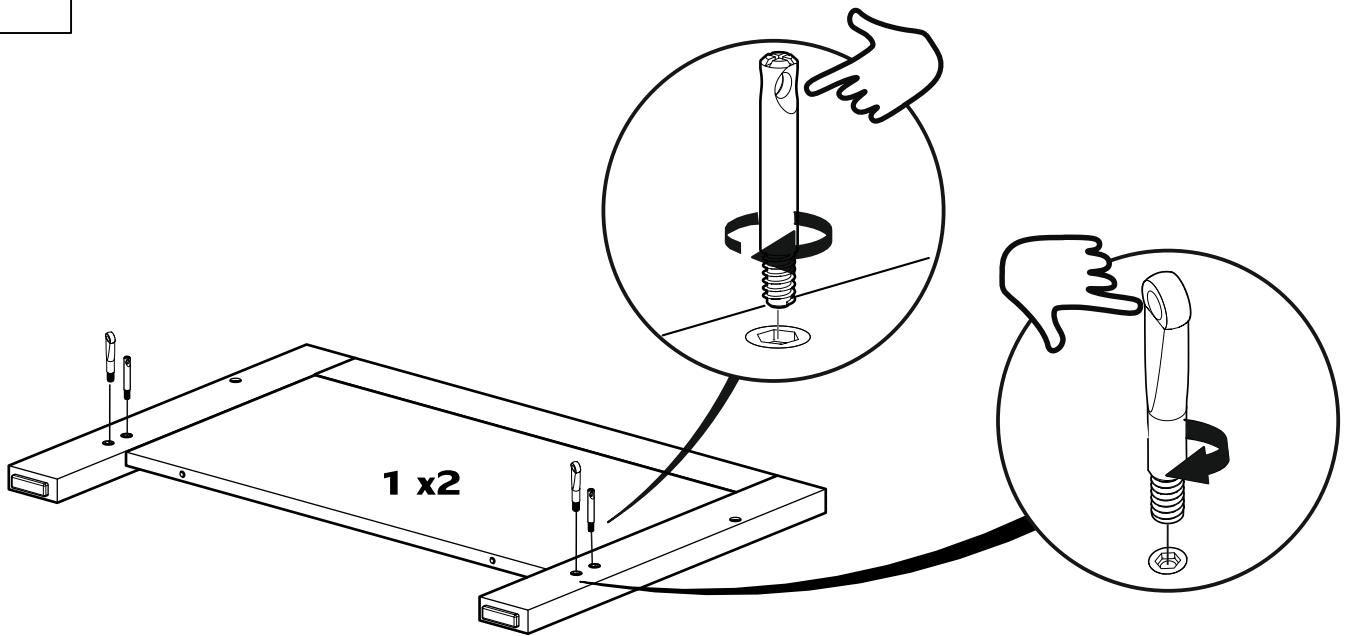
15



16



17



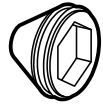
18

1125729

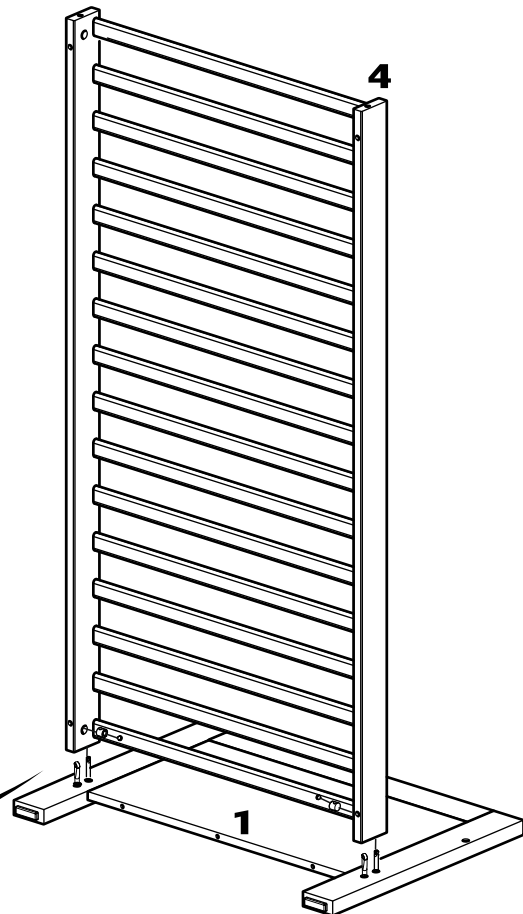
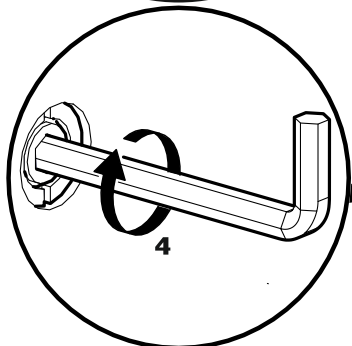
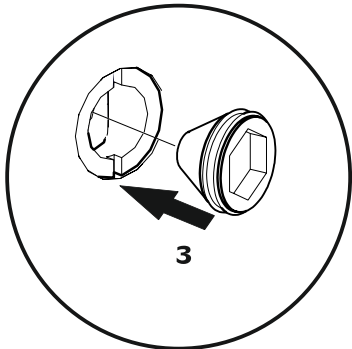
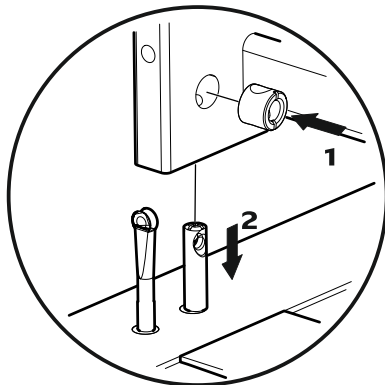


x 2

1125731

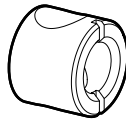


x 2



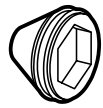
19

1125729

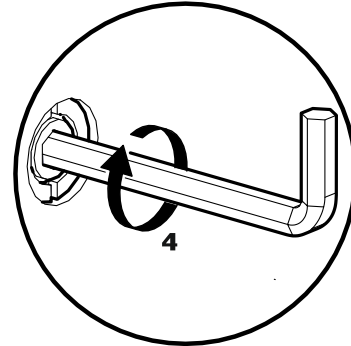
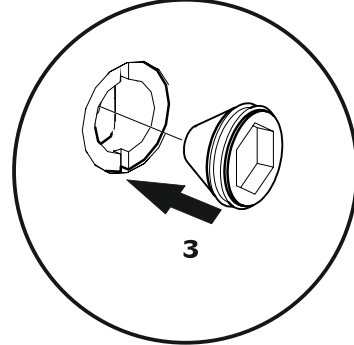
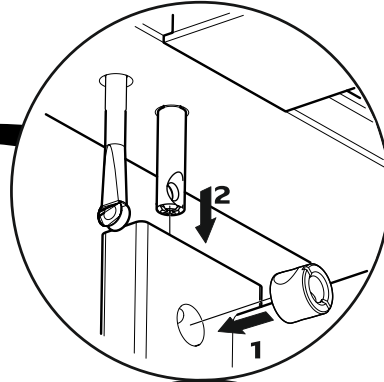
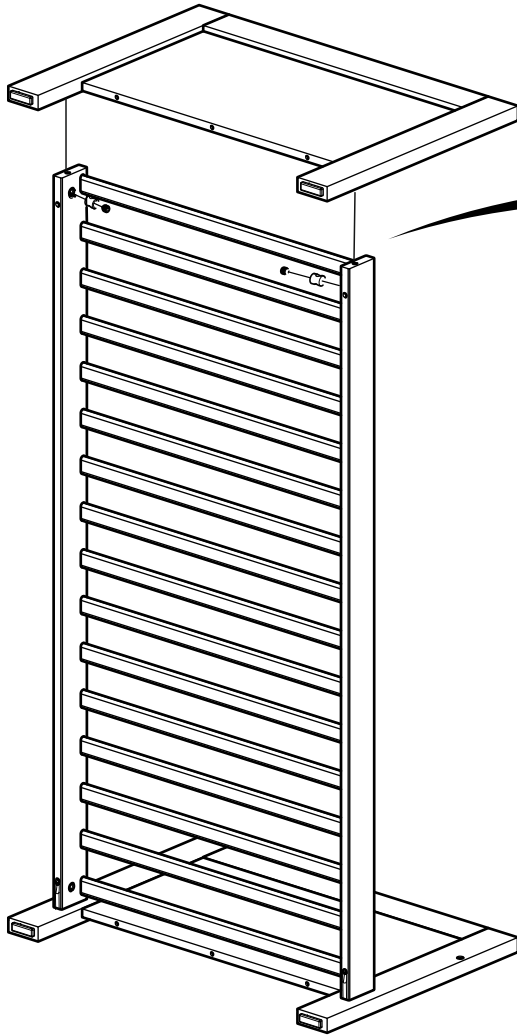


x 2

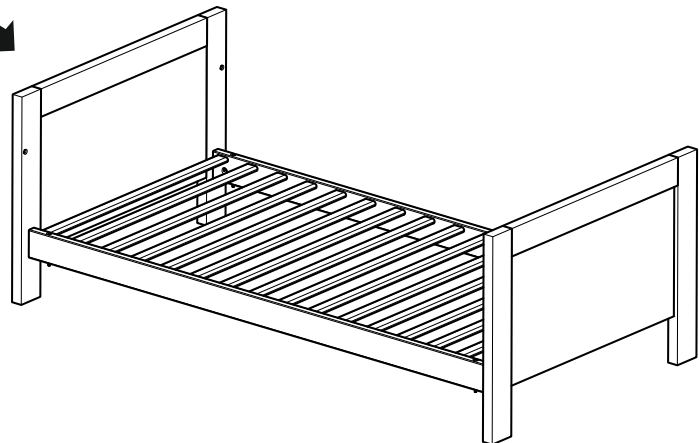
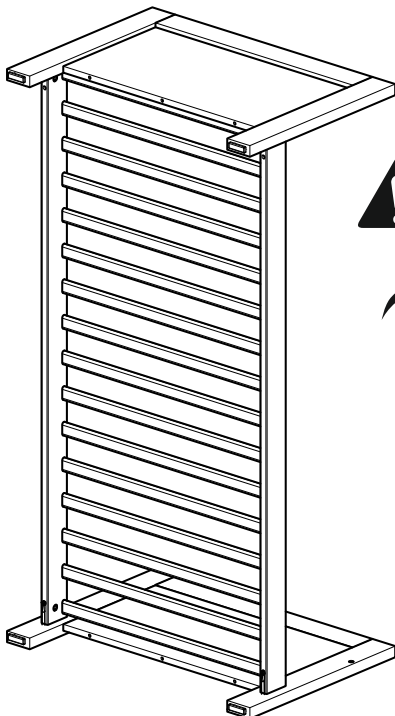
1125731

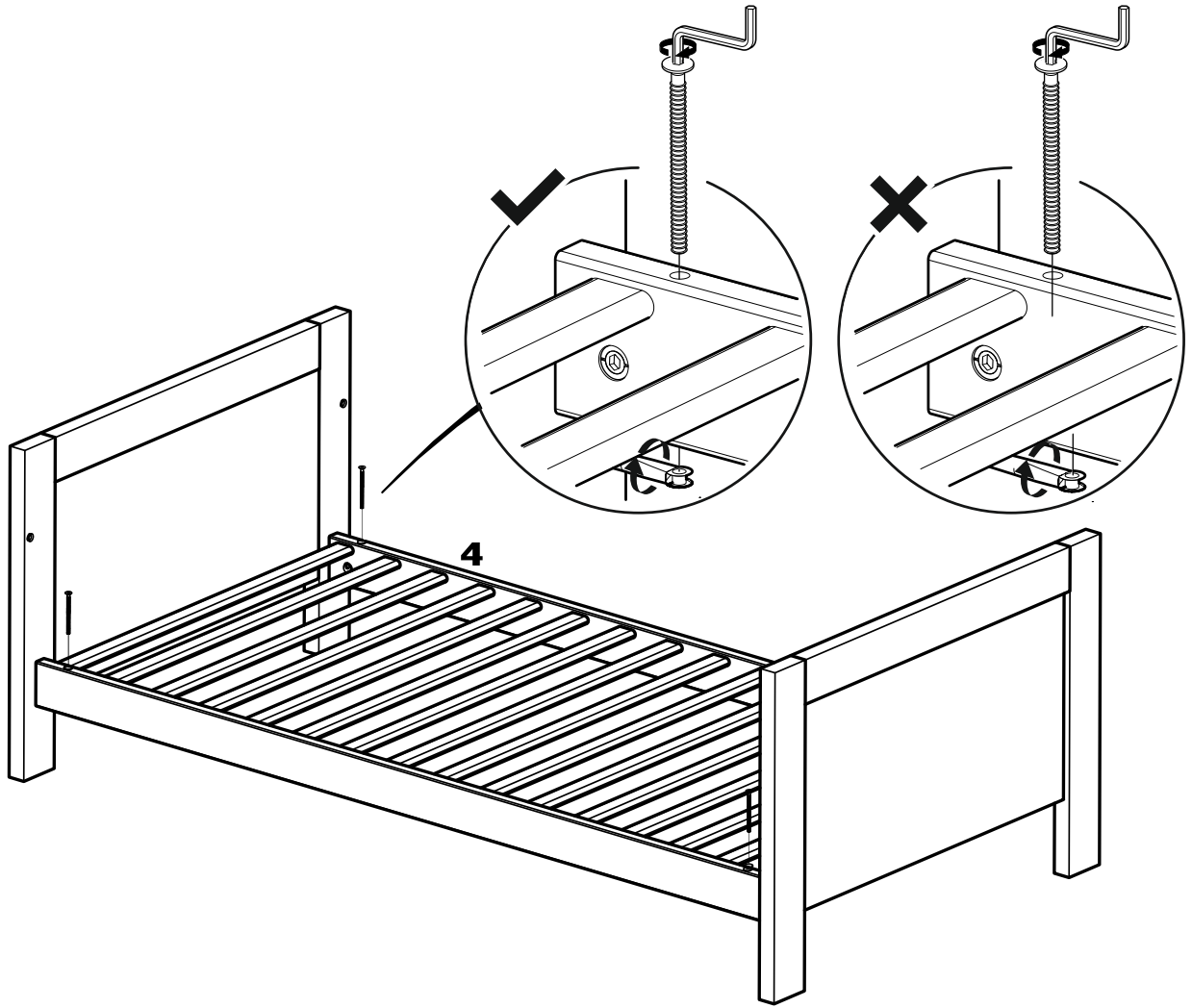


x 2



20





# Warnings & Instructions

## For Safe Use & Maintenance

**WARNING: Be aware of the risk of open fire and other sources of strong heat, such as electric bar fires, gas fires etc, in the vicinity of the cot/bed.**

**WARNING: Do not use the product if any part is broken, damaged, torn or missing. Approved replacement parts can be obtained from MAGICBABY LTD. Phone: +44(0) 130 295 3872**

**WARNING: Do not leave anything in the cot/bed, or place it close to another product which provides a foothold or presents a danger of suffocation or strangulation. For example strings, blind/curtain cords etc.**

**WARNING: Children are likely to play, bounce, jump and climb on beds, therefore the child's bed should not be placed too close to other furniture or windows, blind cords, curtain pulls or other strings or cords, and should be placed either tight to any wall or have a gap of 300mm between the wall and the side of the bed.**

**WARNING: Do not place this child's bed near heat sources, windows and other furniture.**

**WARNING: Mattress Max. thickness: 10cm**

**WARNING: Do not use more than one mattress in the cot.**

The lowest position of the mattress base is the safest, and should be used as soon as the baby is old enough to sit up. To prevent injury from falls, when the child is able to climb out of the cot, the cot shall no longer be used for that child.

Thickness of the mattress chosen must not reduce the internal depth (from mattress surface to top of the side) to less than 500mm with the base in its lower position or 200mm with the base in its higher position. The leg of the cot has a mark indicating this height.

If you leave the child unattended in the cot, always make sure that the dropside is in the highest position.

**MAGICBABY LTD**

**Unit 7 Brookfields Way,  
S63 5DL Manvers Rotherham,  
United Kingdom**

All assembly fittings should be tightened properly, checked regularly and re-tightened as necessary.

Screws and bolts should not be loose because a child can squeeze parts of the body, or clothing e.g string, necklaces, ribbons for babies dummies etc. could get caught. There would be a danger of strangulation.

The cot/bed must be used on a level and stable surface, away from electric sockets. Can be dismantled for storage and transportation etc. Never move the cot/bed with a child in it.

Excessive chewing may damage the wood and cause splintering. If any part is damaged stop using until the correct replacement part has been obtained from MAGICBABY LTD. Phone: +44(0) 130 295 3871

Your cot/bed can be cleaned by wiping with a damp cloth and drying immediately with a soft clean cloth.

Do not use abrasives, bleach, alcohol or ammonia based household polishes.

Take care when handling or moving furniture, careless handling can damage wooden furniture.

Wood is a natural material, the colour will darken with age.

The size of the mattress to be used with the child's bed is 1400x700mm.

Cot conforms to EN 716-1:2017 and BS8509: 2008+A1: 2013

Cots which convert to toddler beds are intended from birth up to approximately 4 years.

The mattress length and width shall be such that the gap between the mattress and the sides and ends does not exceed 30mm.

VENICCI<sup>®</sup>  
HOME