

VENICCI®  
HOME

# Forenzo

## Wardrobe



Assembly instruction

DO NOT DRAG  
2 MAN LIFT



Important: retain for future reference

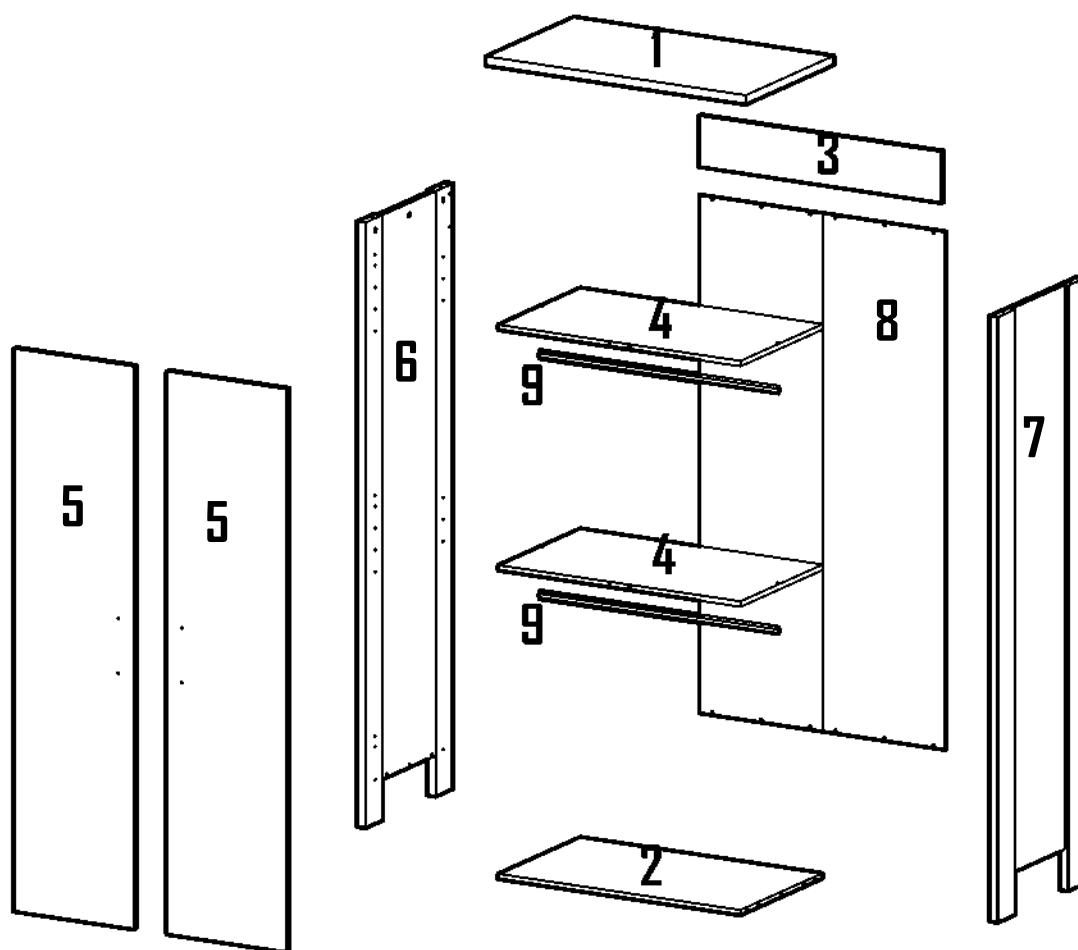
Read carefully


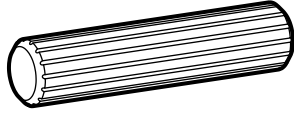
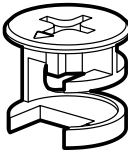
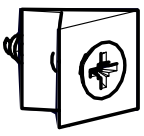
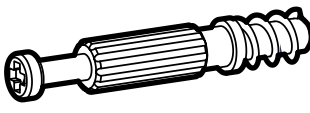
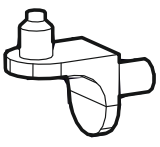


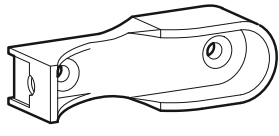
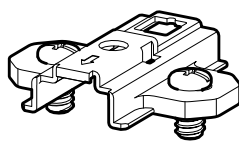
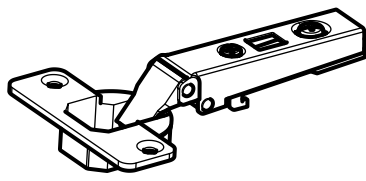
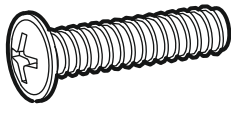
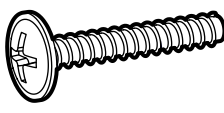


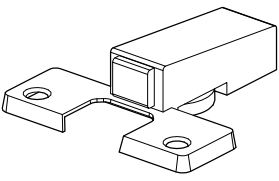
IND.4021786


## BEFOR ASSEMBLY

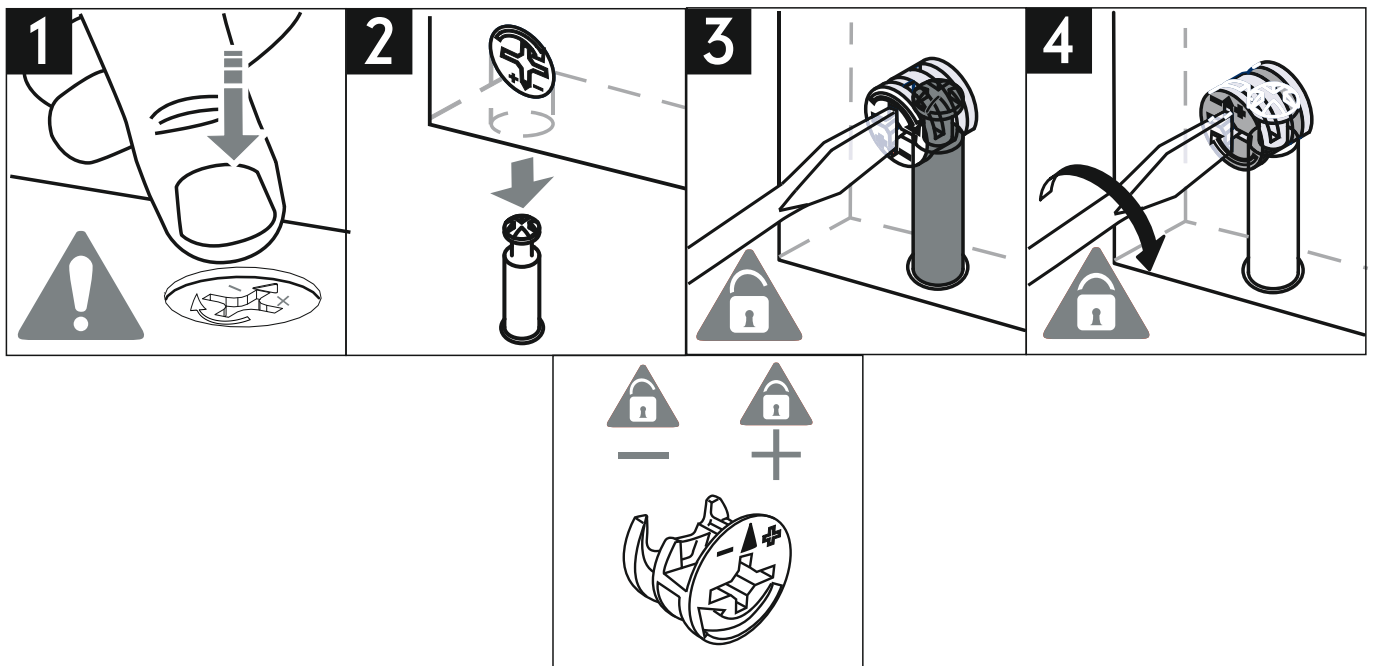
### MAIN COMPONENTS

- unpack all the parts and identify them against the fitting and components list.
- do not discard any packaging until you have checked that you have all parts as shown below.
- you may find the construction of your dresser easier if you have the help of another person.
- crosshead screwdriver (not provided).



<p>1005806</p>  <p>x 1</p>	<p>1005857</p>  <p>x 8</p>	<p>1005367</p>  <p>x 18</p>
<p>1006022</p>  <p>x 6</p>	<p>1006091</p>  <p>x 18</p>	<p>1001262</p>  <p>x 8</p>
<p>1006012</p>  <p>x 12</p>	<p>1000893</p>  <p>x 1</p>	<p>1000225</p>  <p>x 4</p>
<p>1004785</p>  <p>x 6</p>	<p>1000197</p>  <p>x 6</p>	<p>1110778</p>  <p>x 4</p>
<p>1006031</p>  <p>x 4</p>	<p>1130728</p>  <p>x 2</p>	<p>1005681</p>  <p>x 12</p>
<p>1000339</p>  <p>x 2</p>		

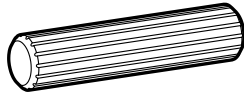
ARTIKELNUMMER ITEM NUMER ARTIKELNUMMER		4021786	AANTAL QUANTITY ANZAHL	AFTMETINGEN [mm] DIMENSIONS [mm] ABMESSUNGEN [mm]		
1	1/3	2220619	1	850	500	28
2	1/3	2220602	1	792	466	16
3	1/3	2220622	1	792	150	16
4	1/3	2220627	2	792	465	16
5	2,3/3	2220628	2	1649	392	16
6	2/3	2219766	1	1772	498	28
7	3/3	2219767	1	1772	498	28
8	3/3	2219768	1	1517	804	2,5
9	1/3	1125236	2	778	x	x



EN. In case of complain please advise the spare part number.

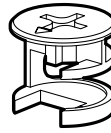
1

1005857



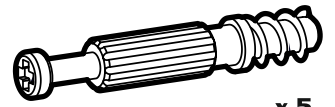
x 2

1005367

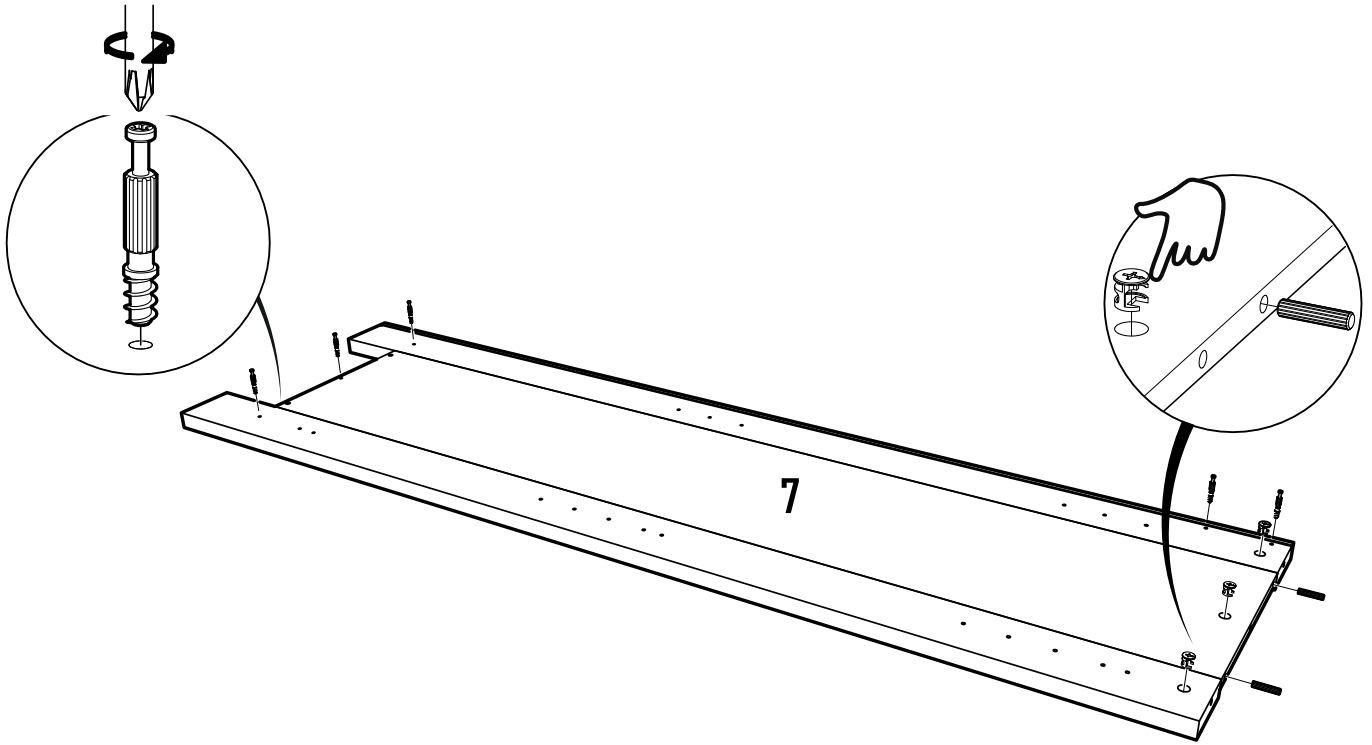


x 3

1006091

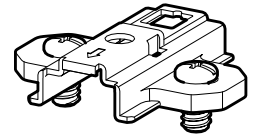


x 5

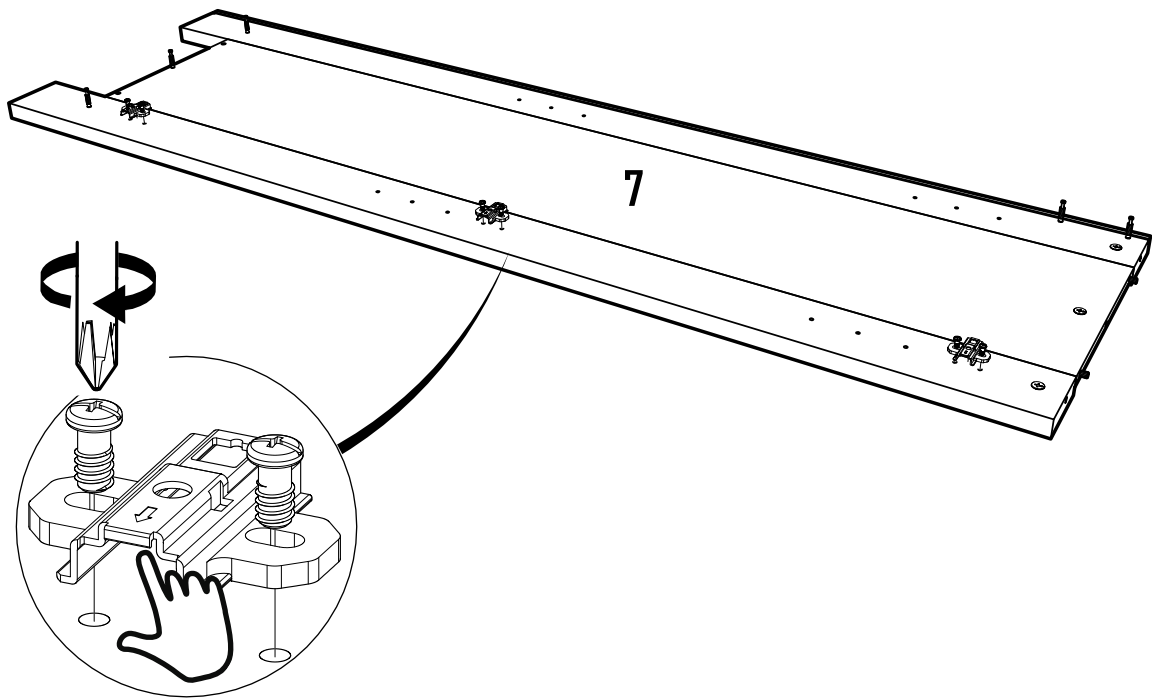


2

1004785

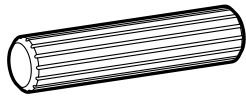


x 3



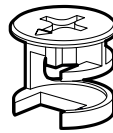
3

1005857



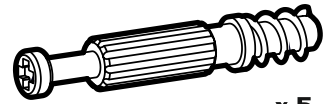
x 2

1005367

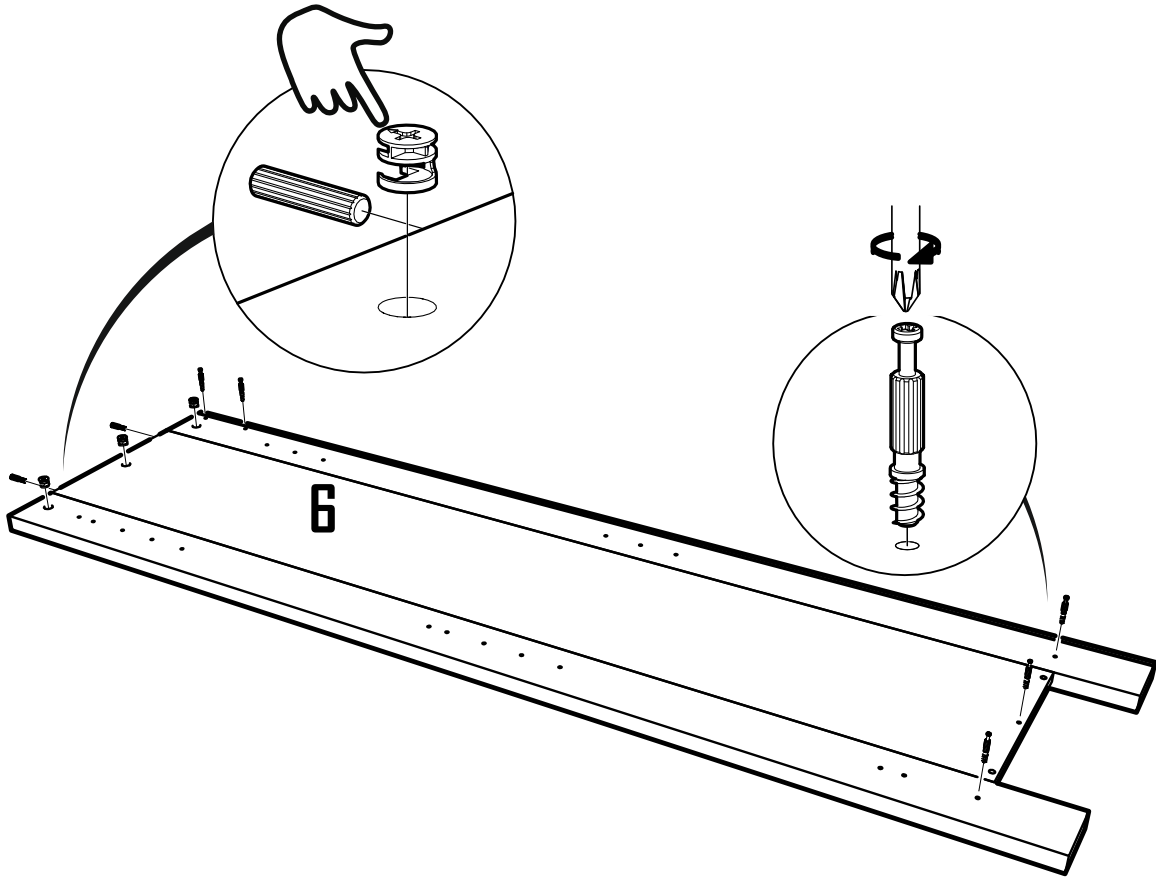


x 3

1006091

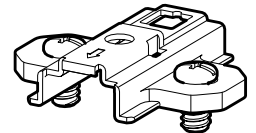


x 5

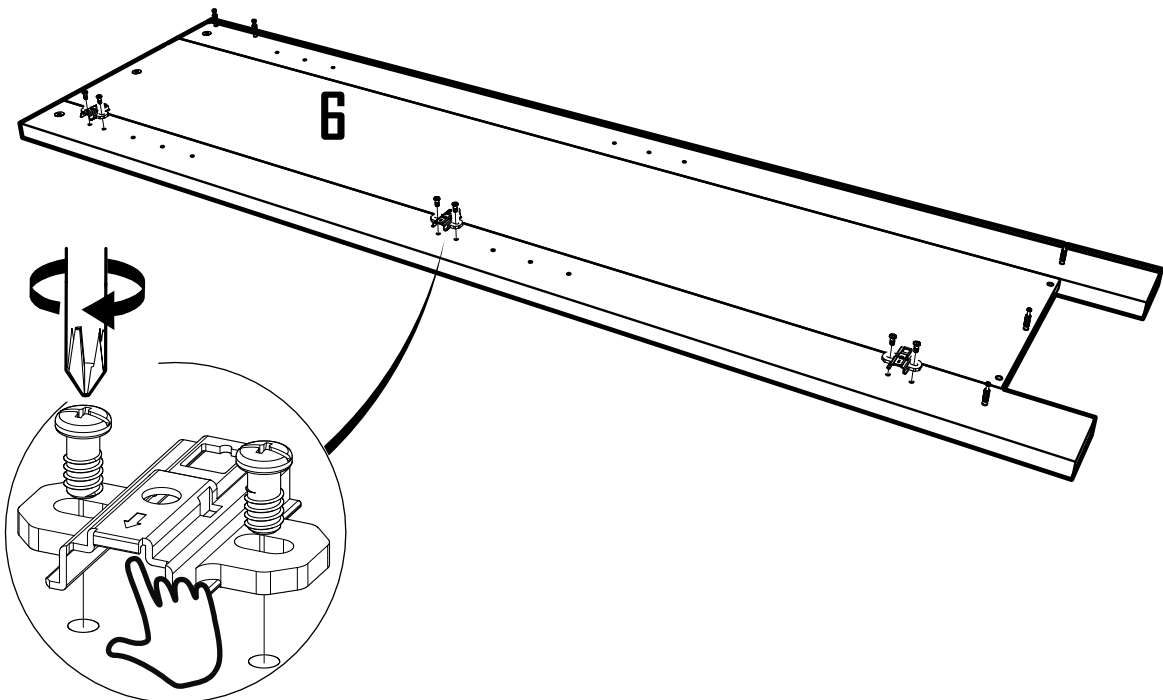


4

1004785

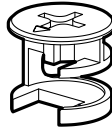


x 3



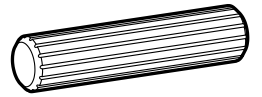
5

1005367

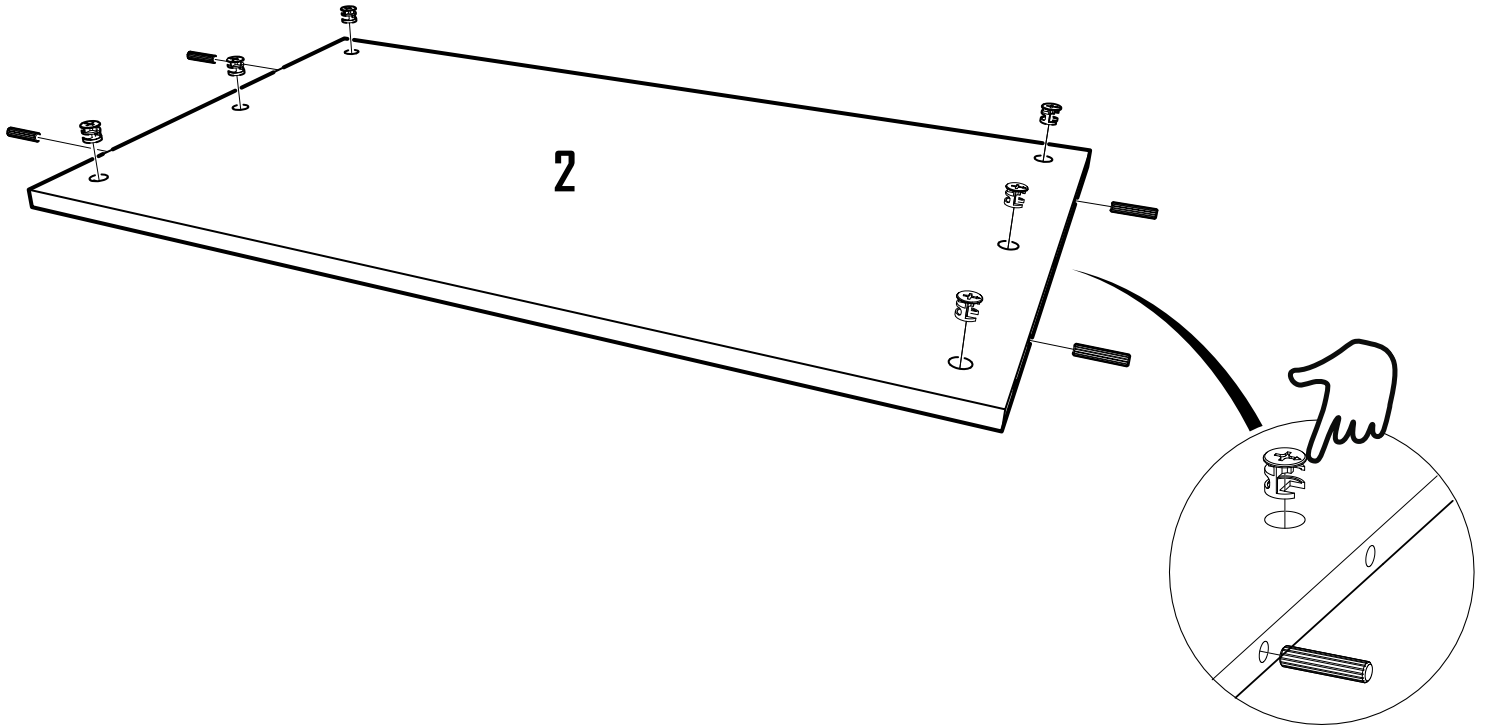


x 6

1005857

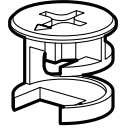


x 4

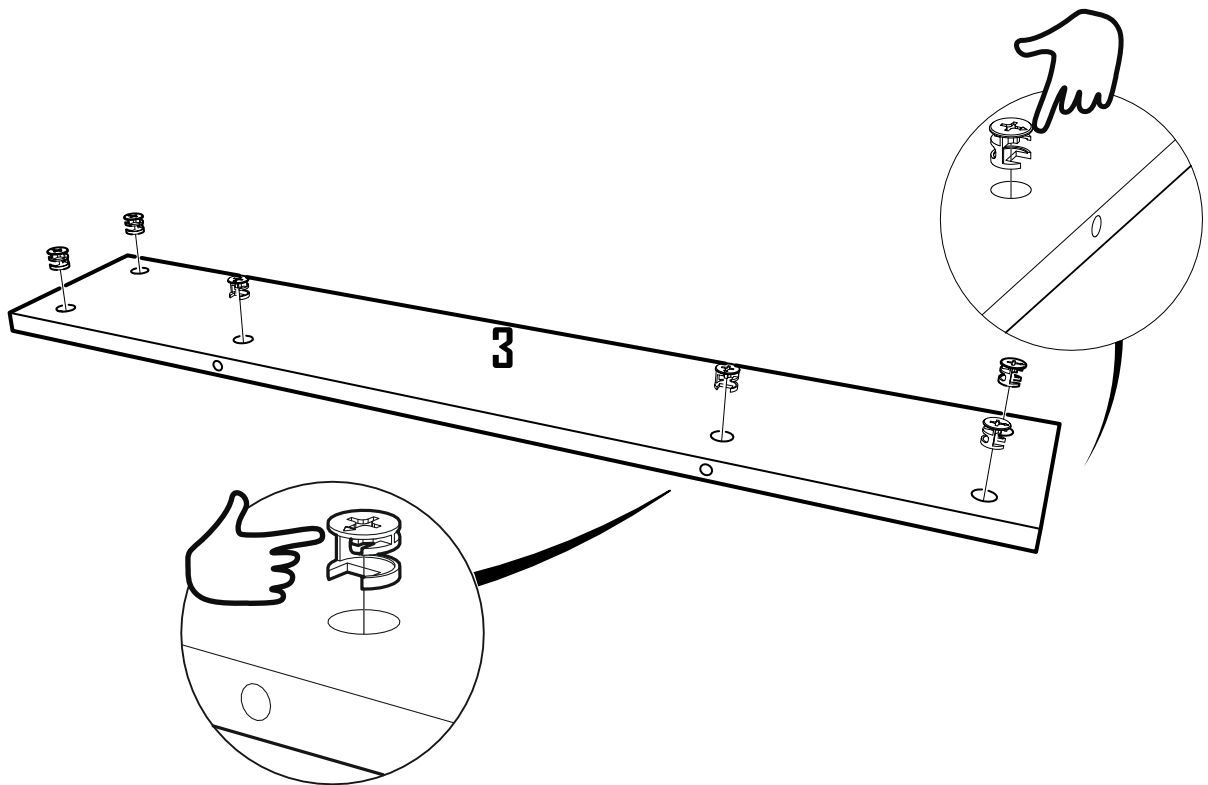


6

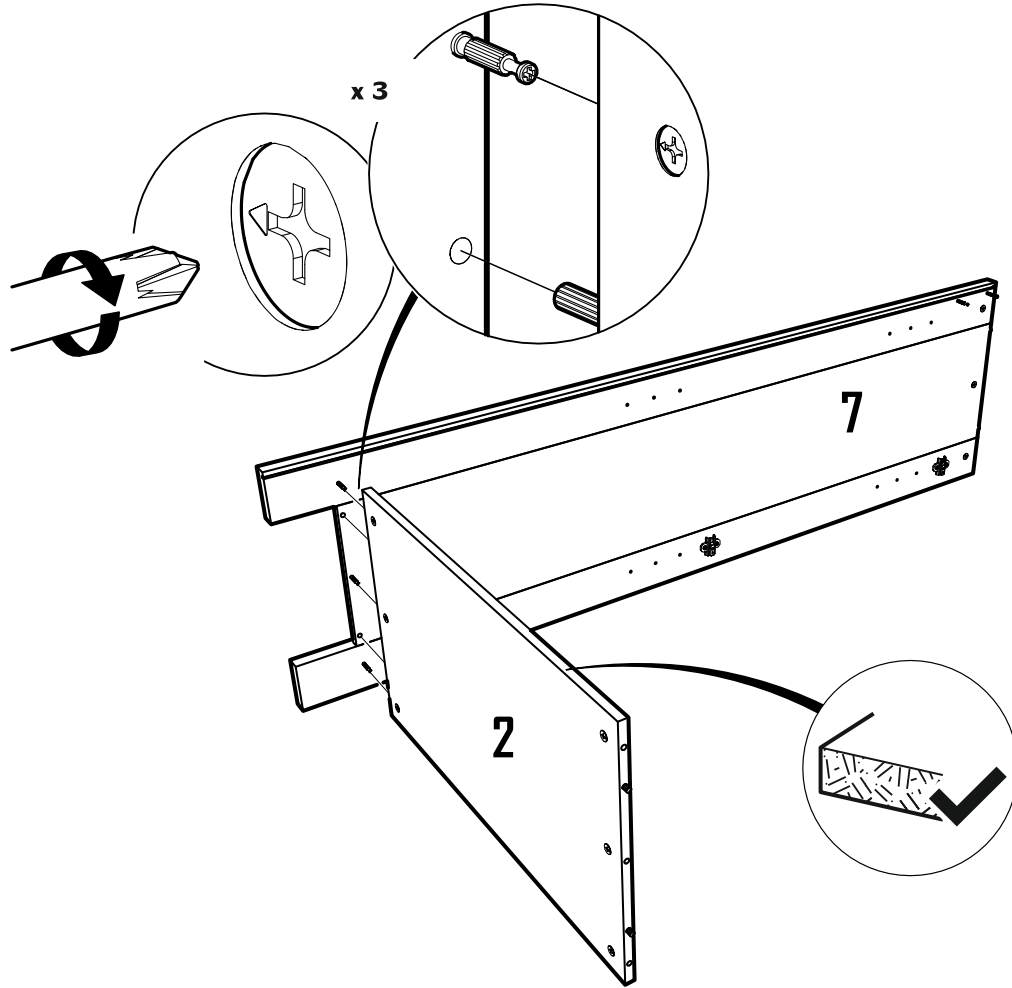
1005367



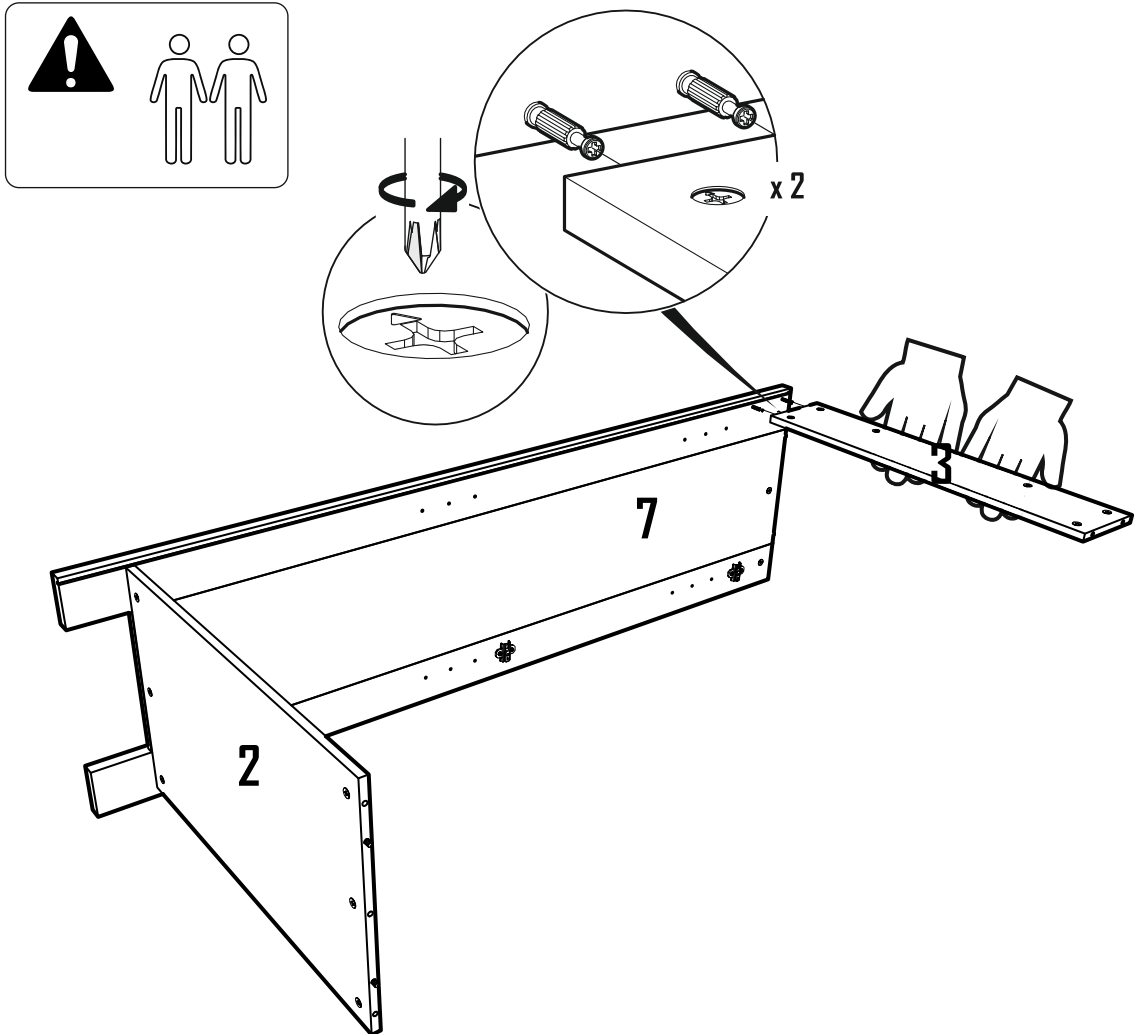
x 6



7

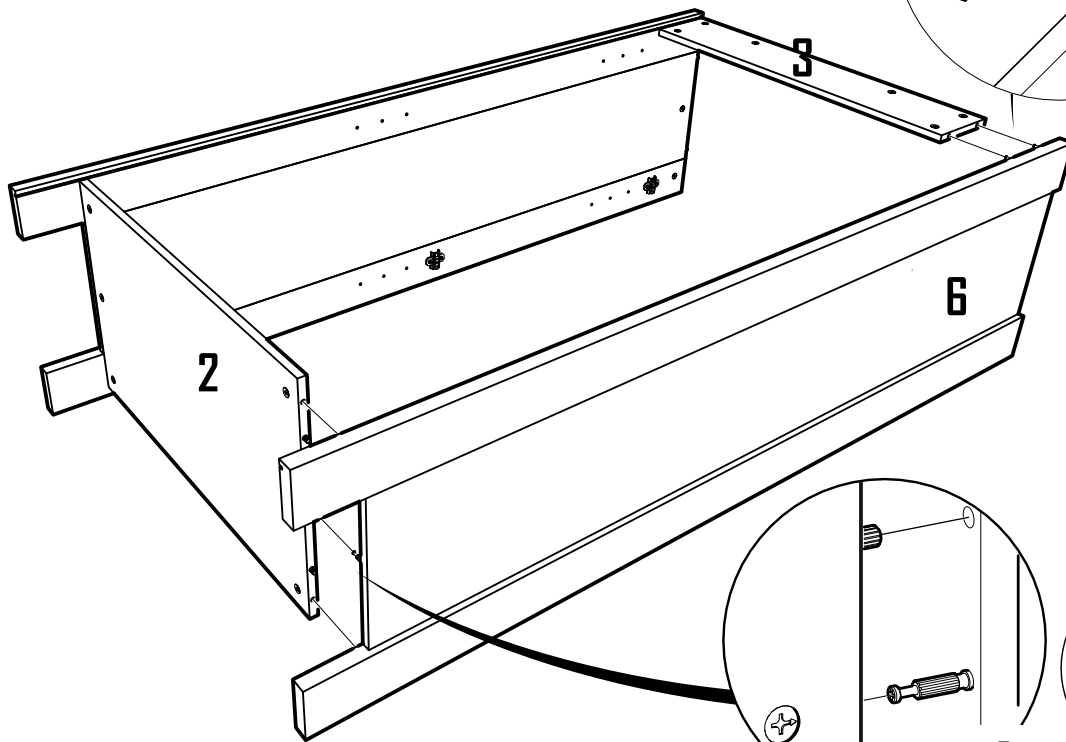
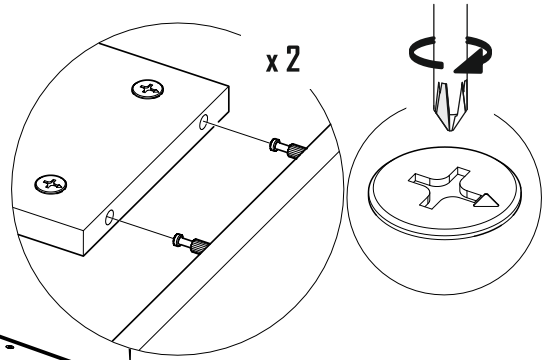
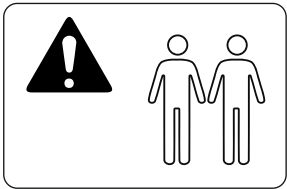


8



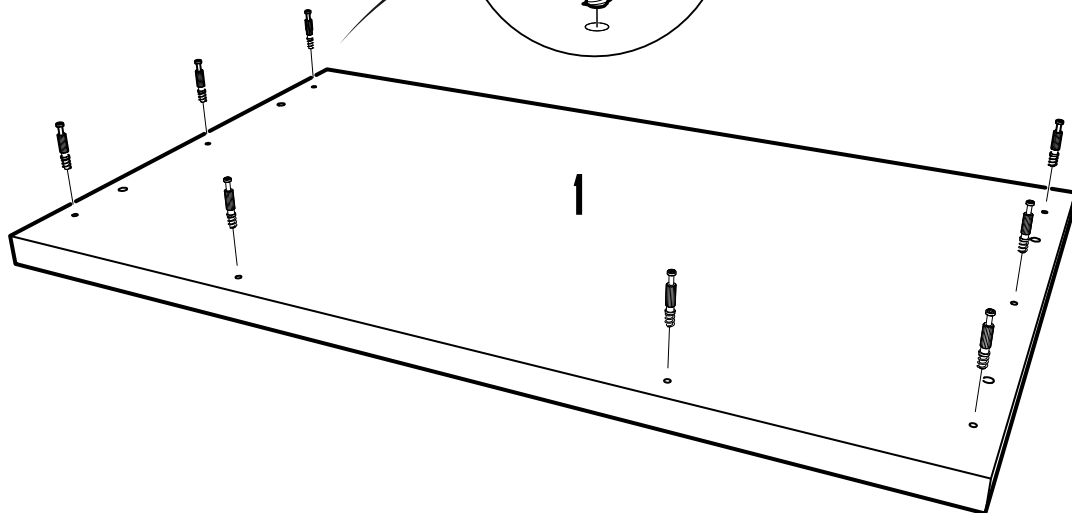
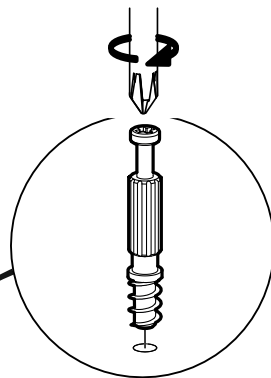
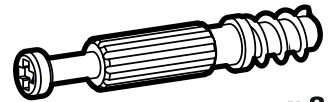


9

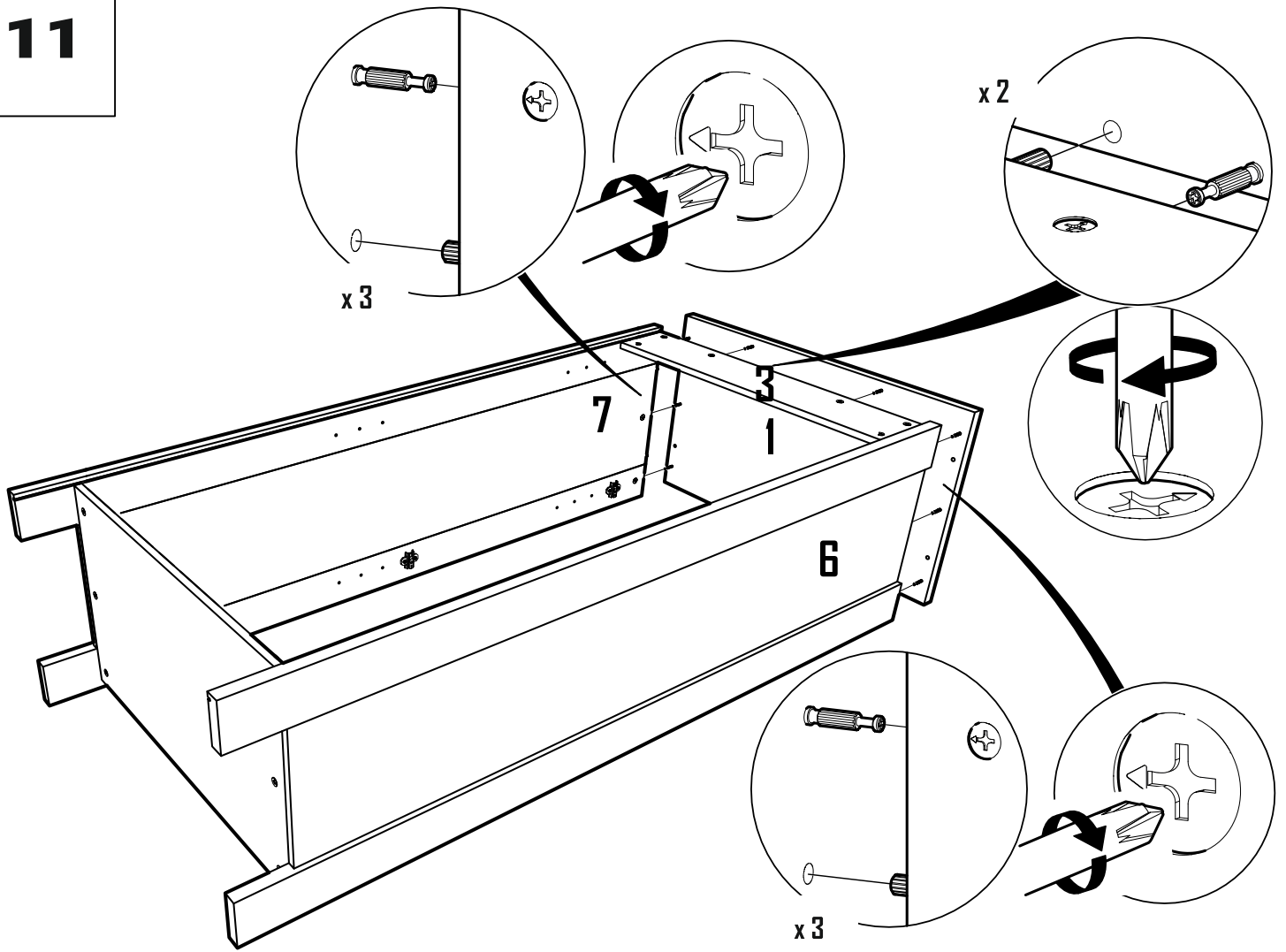


10

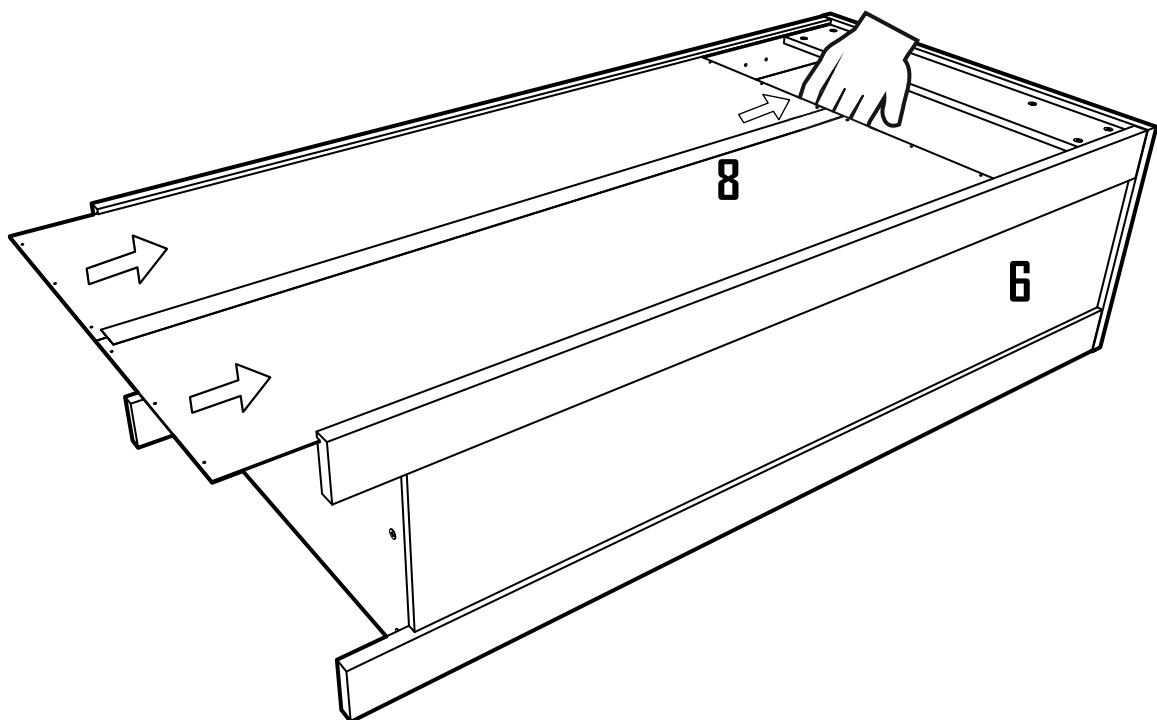
1006091



11



12

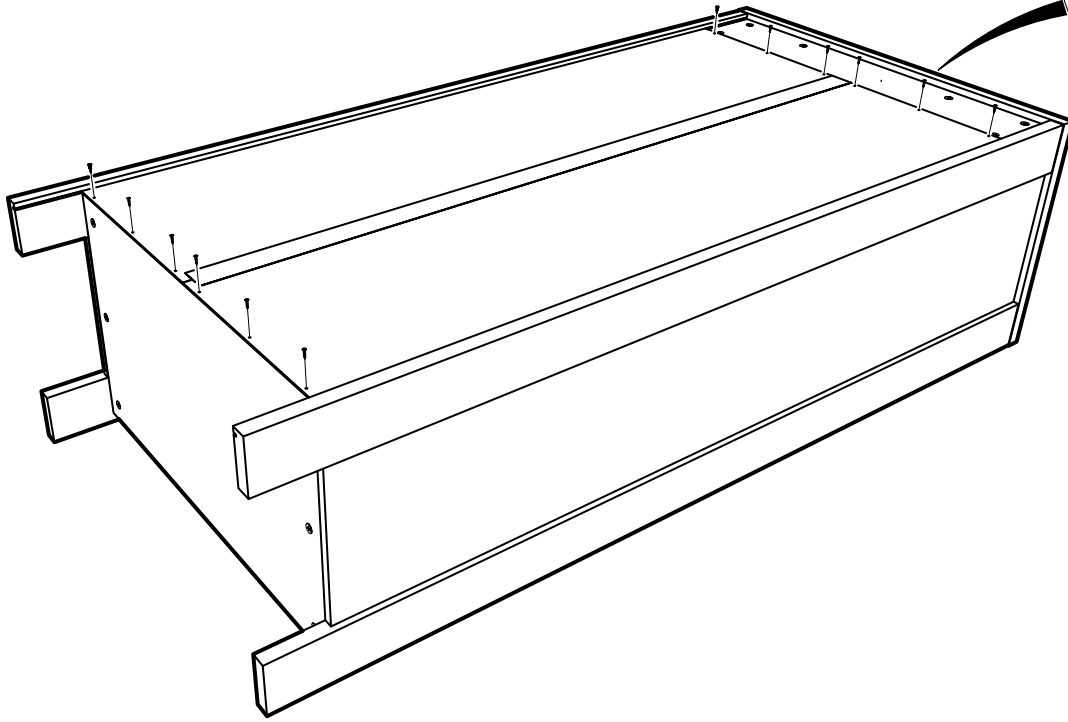


13

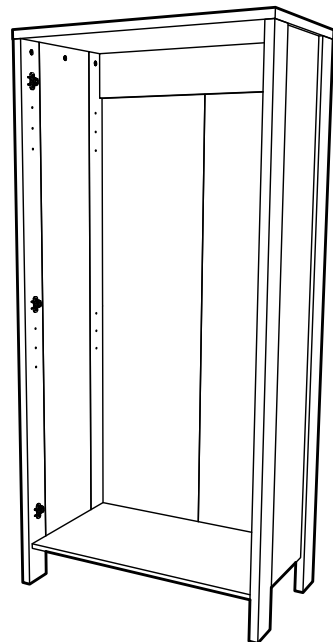
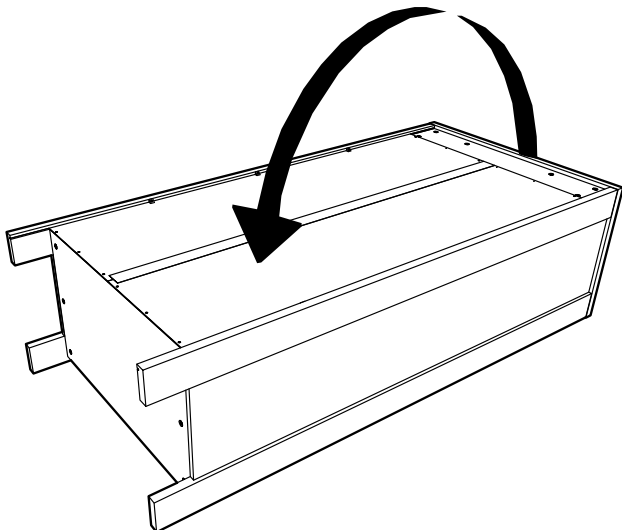
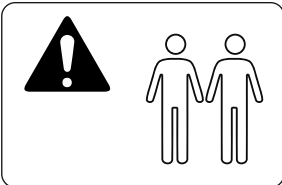
1006012



x 12

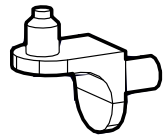


14

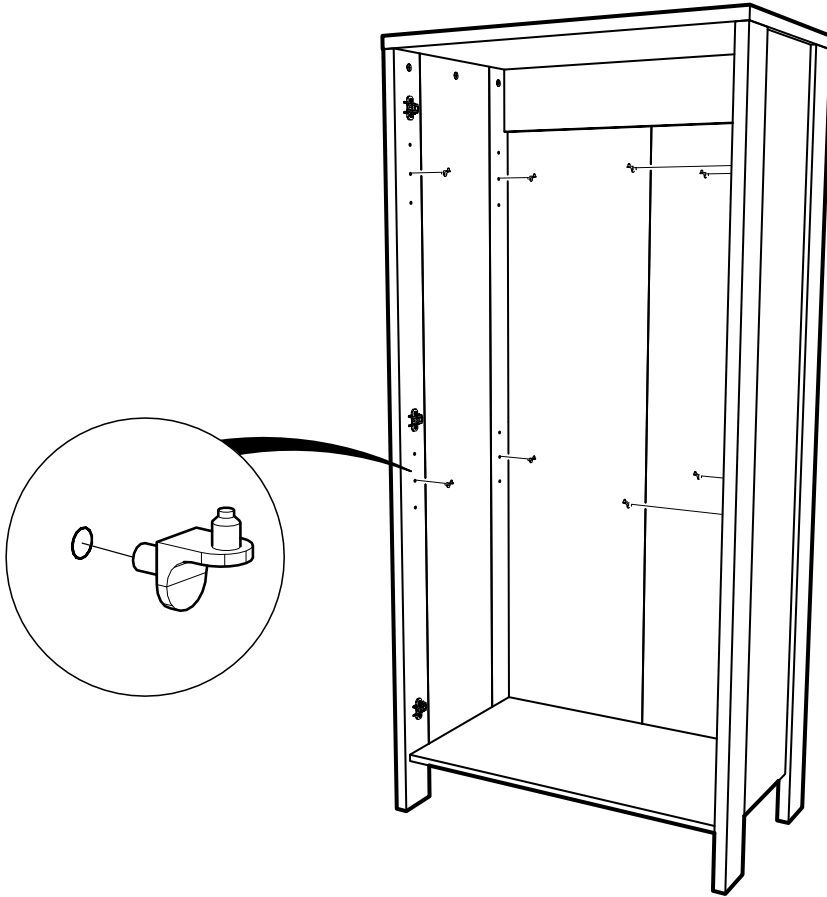


15

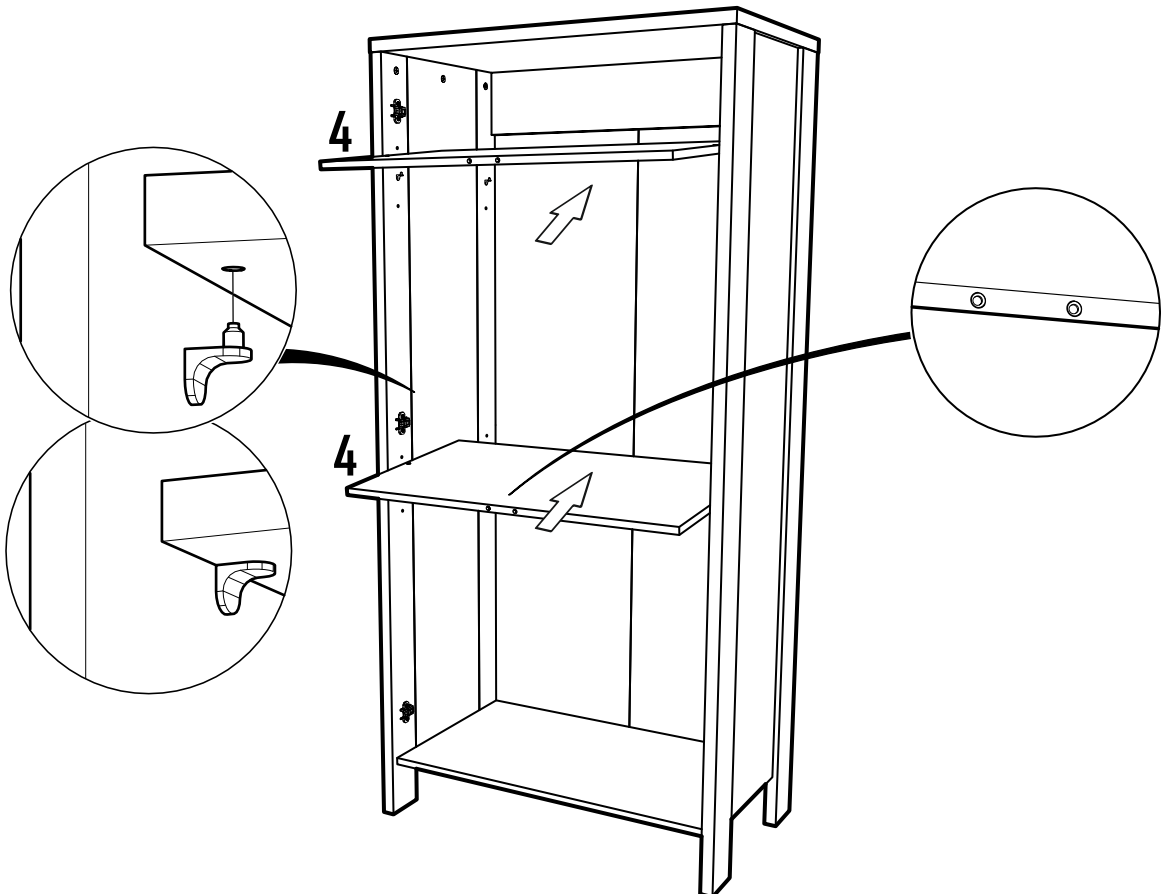
1001262



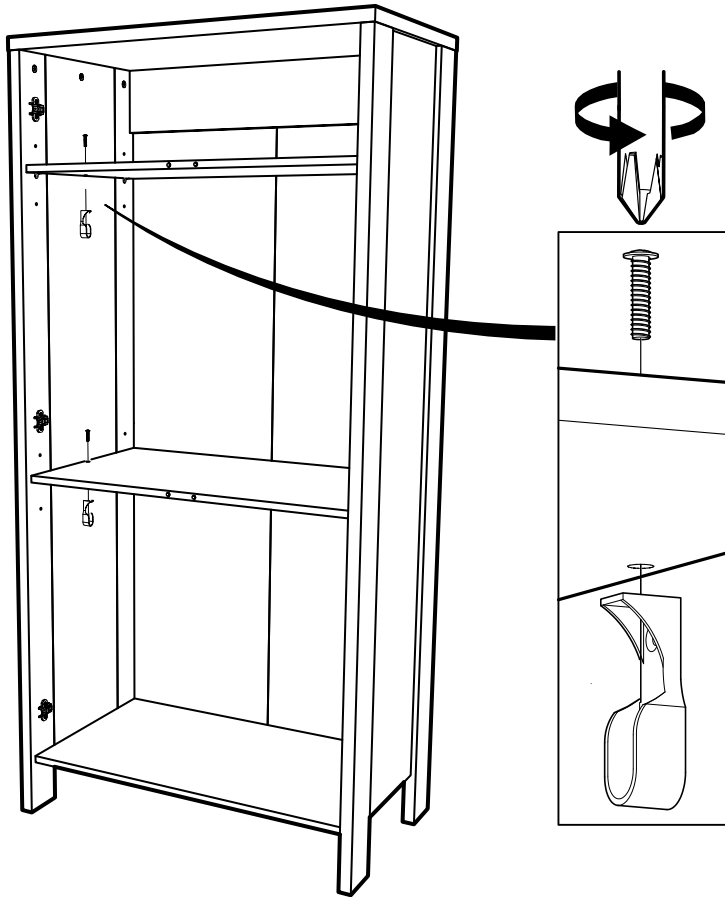
x 8



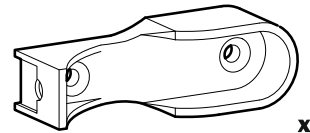
16



17

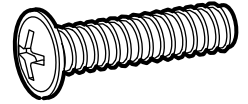


1000225



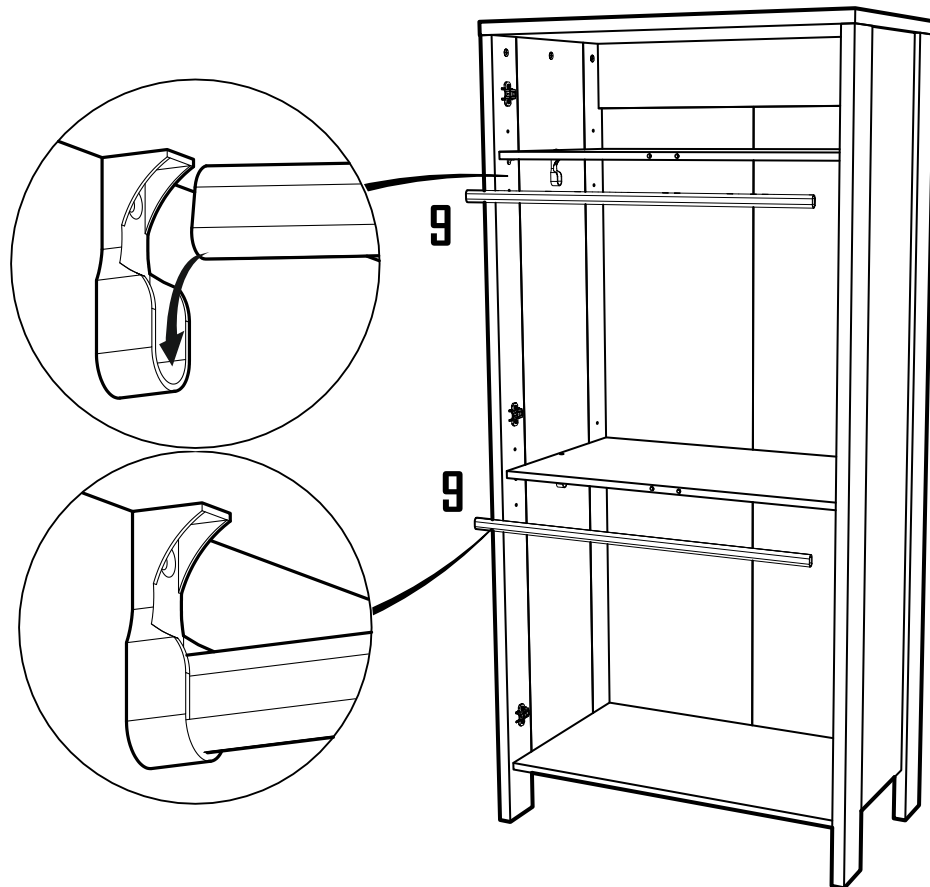
x 4

1110778

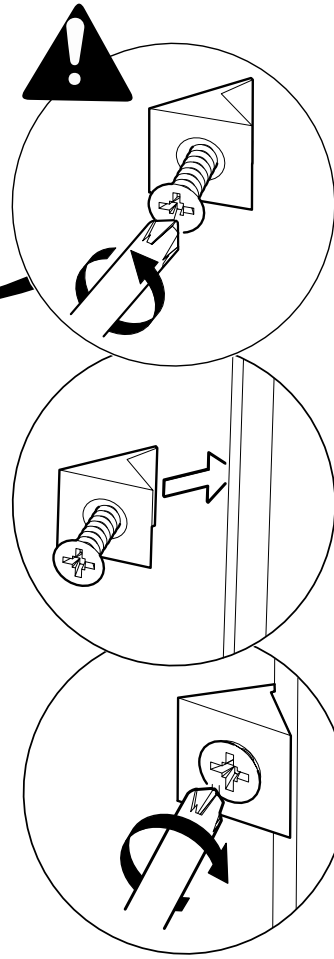
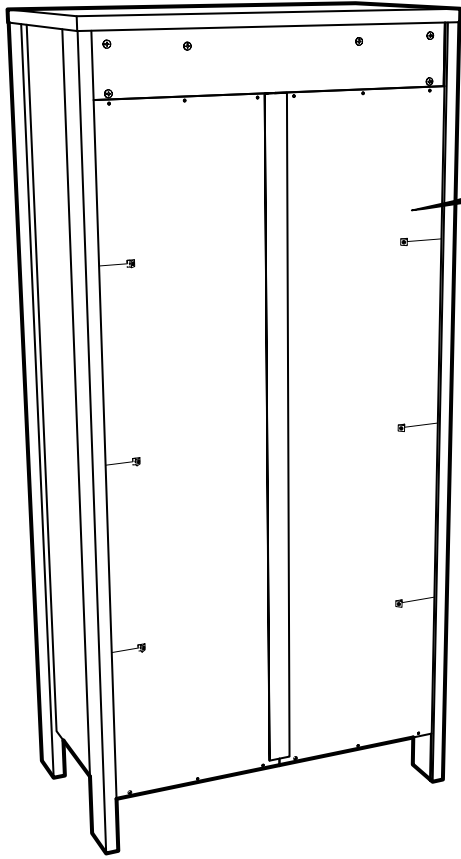


x 4

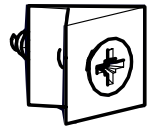
18



19



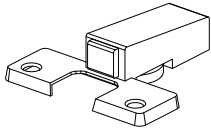
1006022



x 6

20

1000339



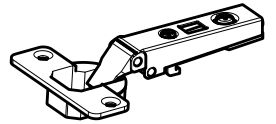
x 2

1005681

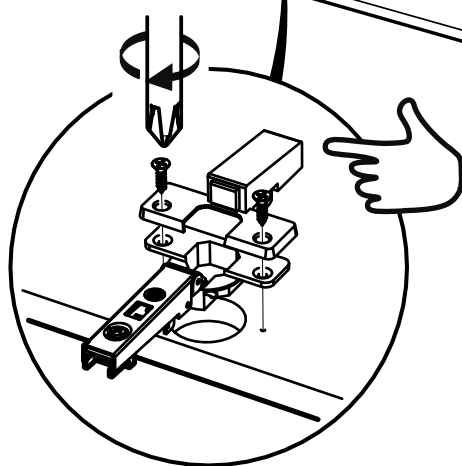
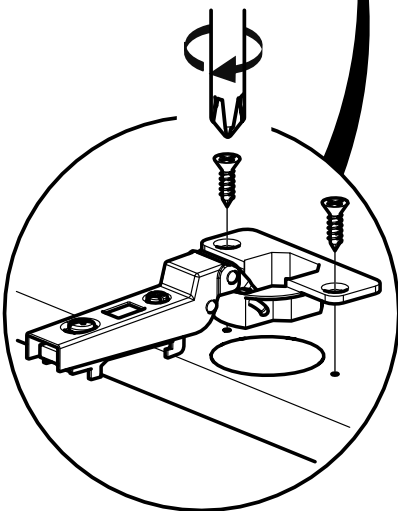
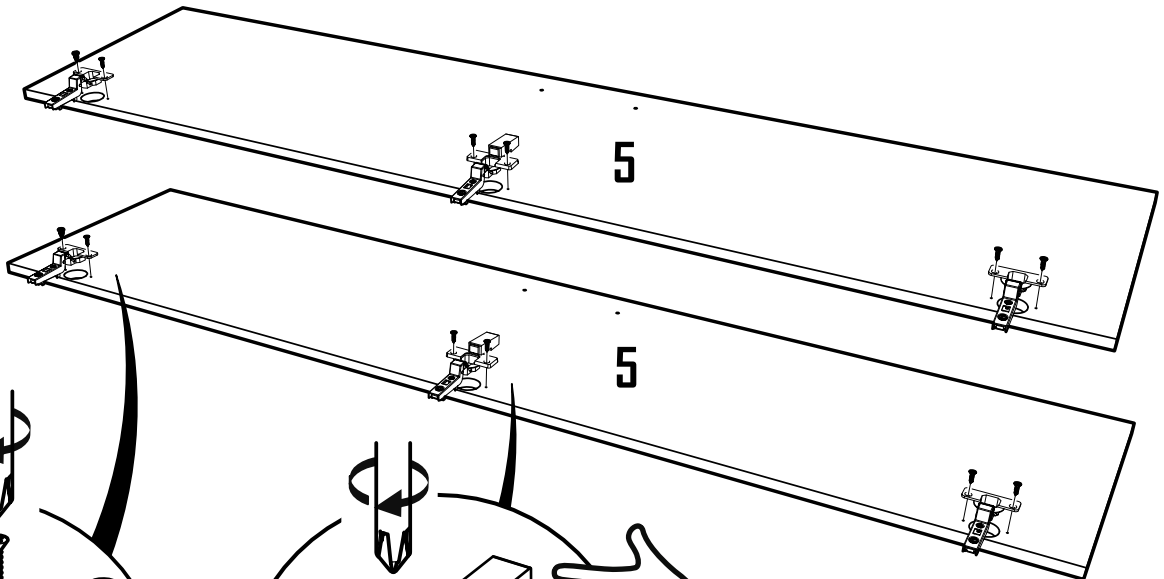


x 12

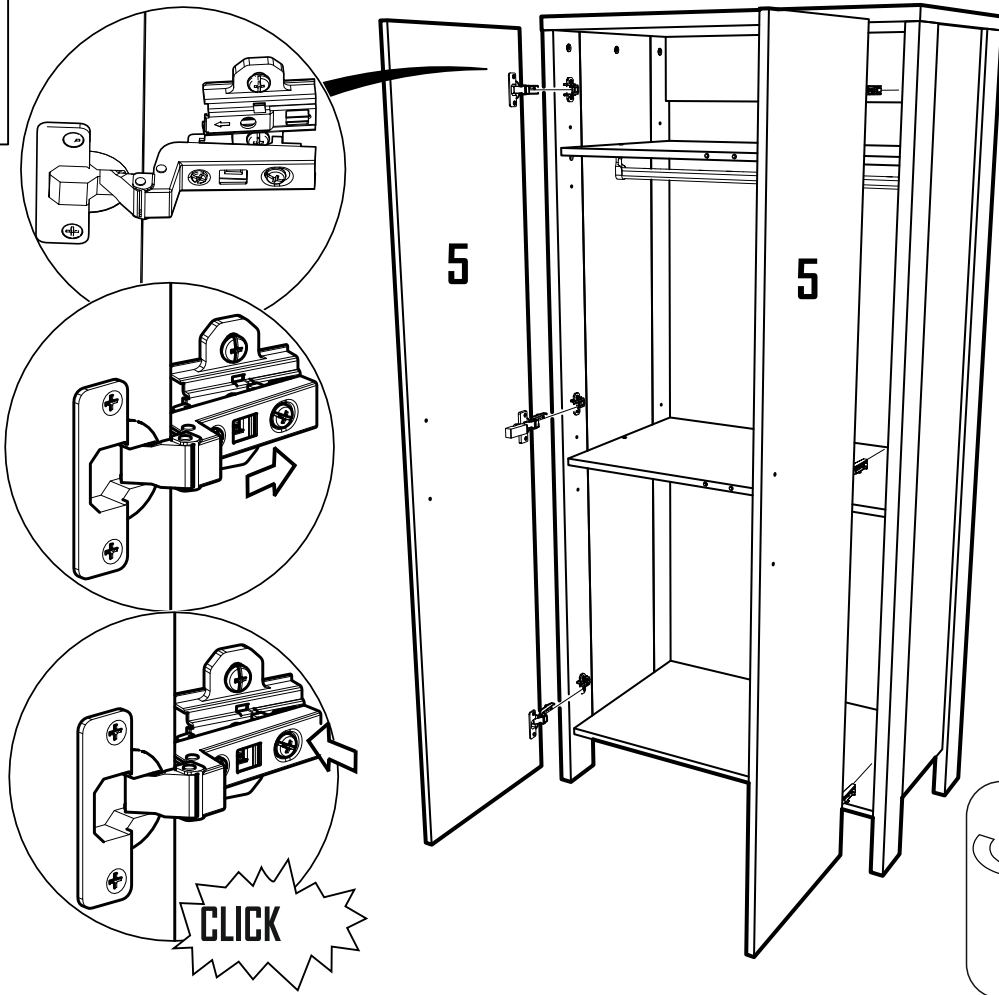
1000197



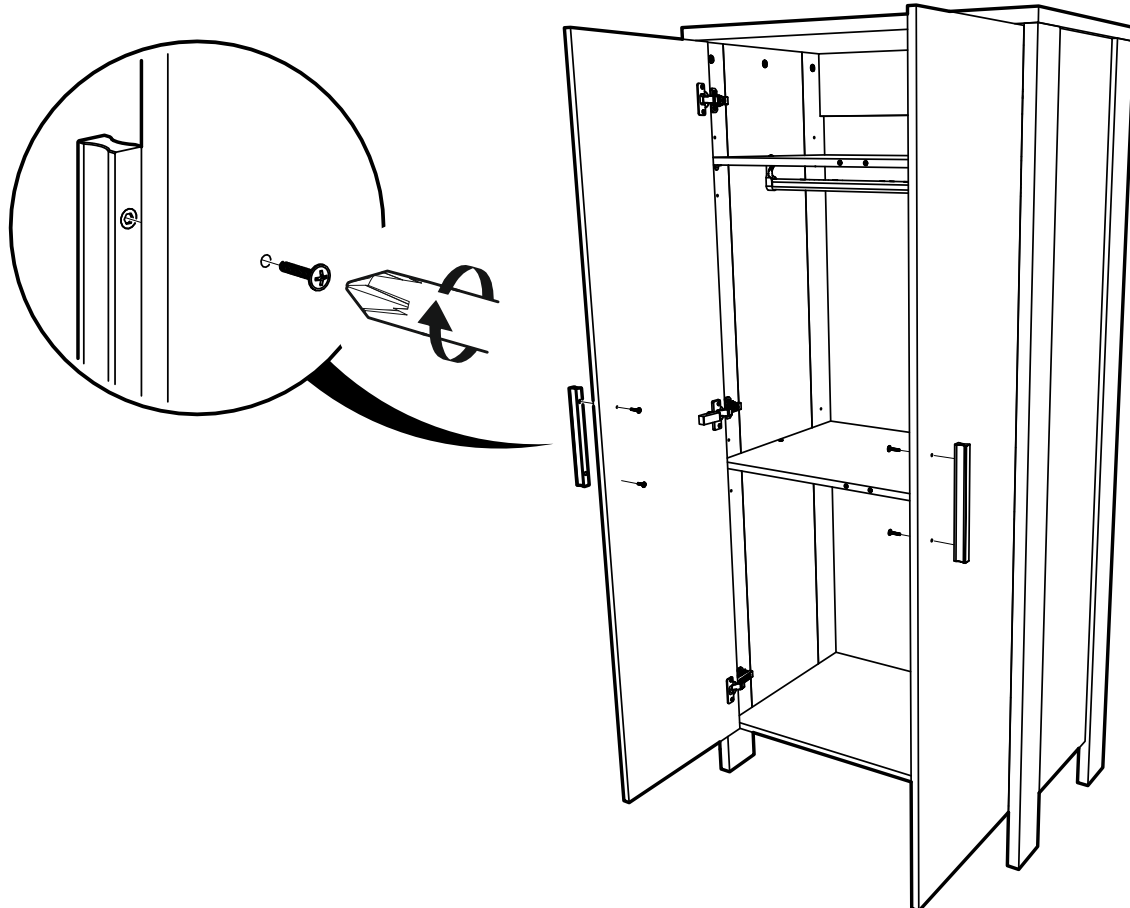
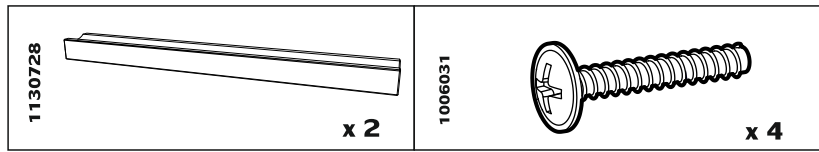
x 6



21

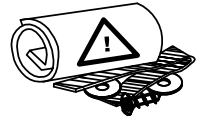


22

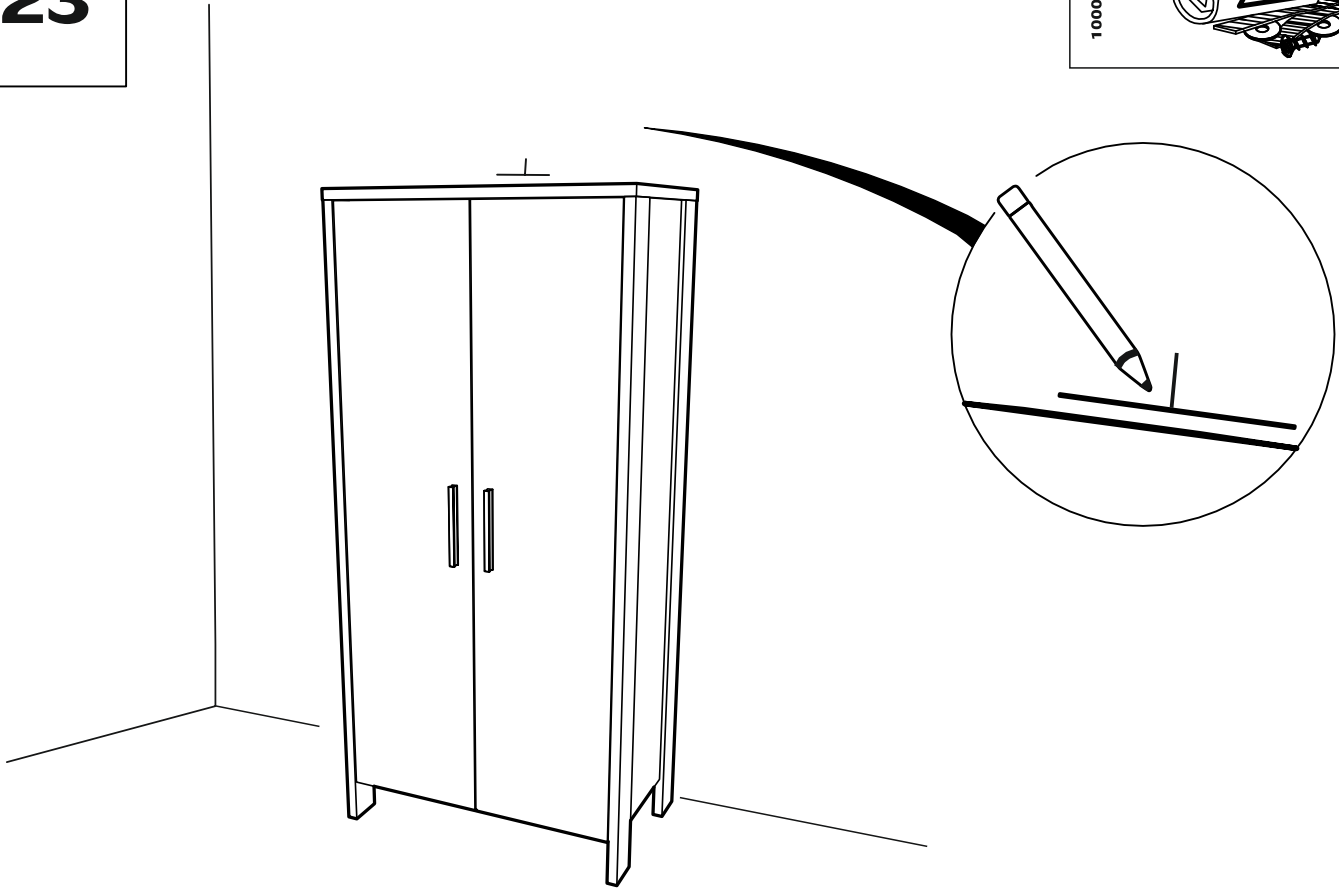


23

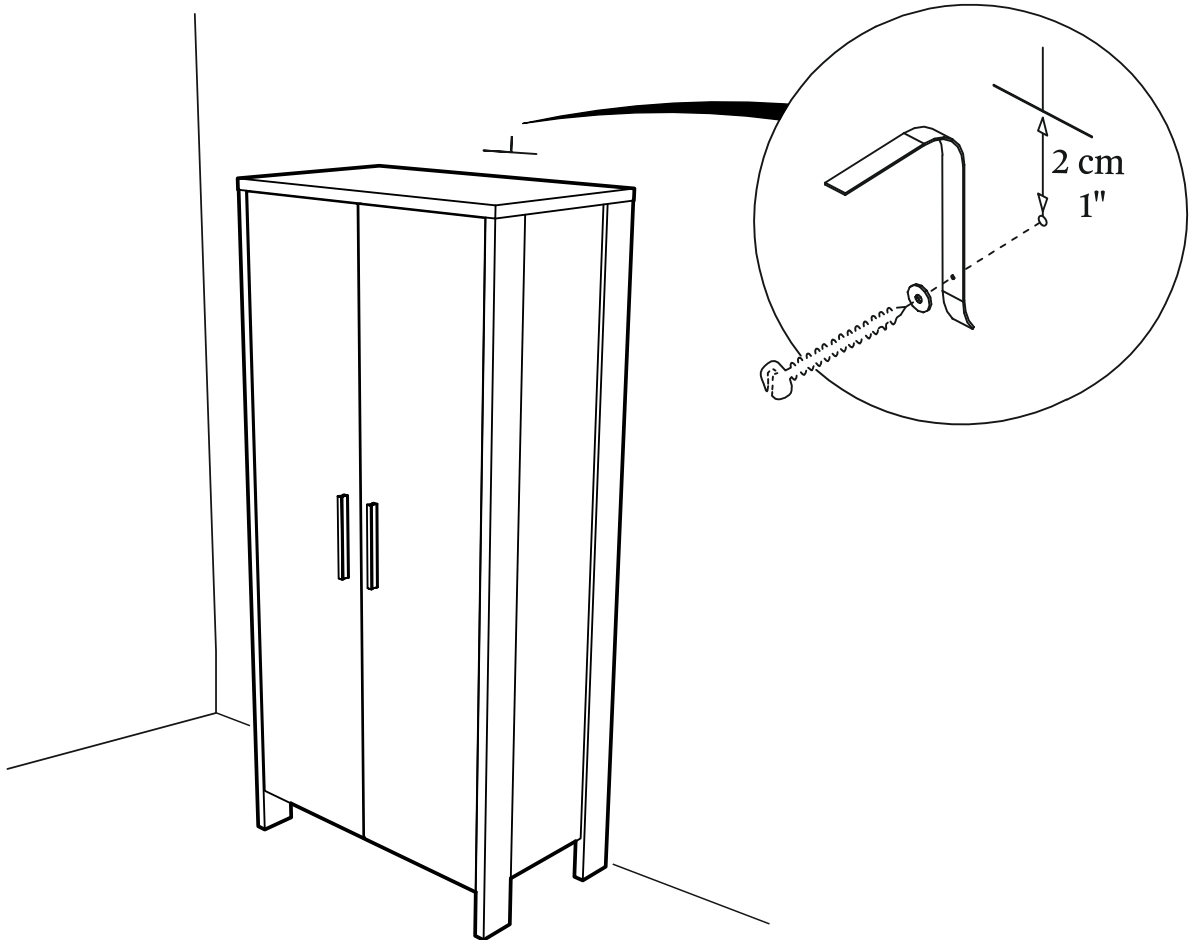
1000893



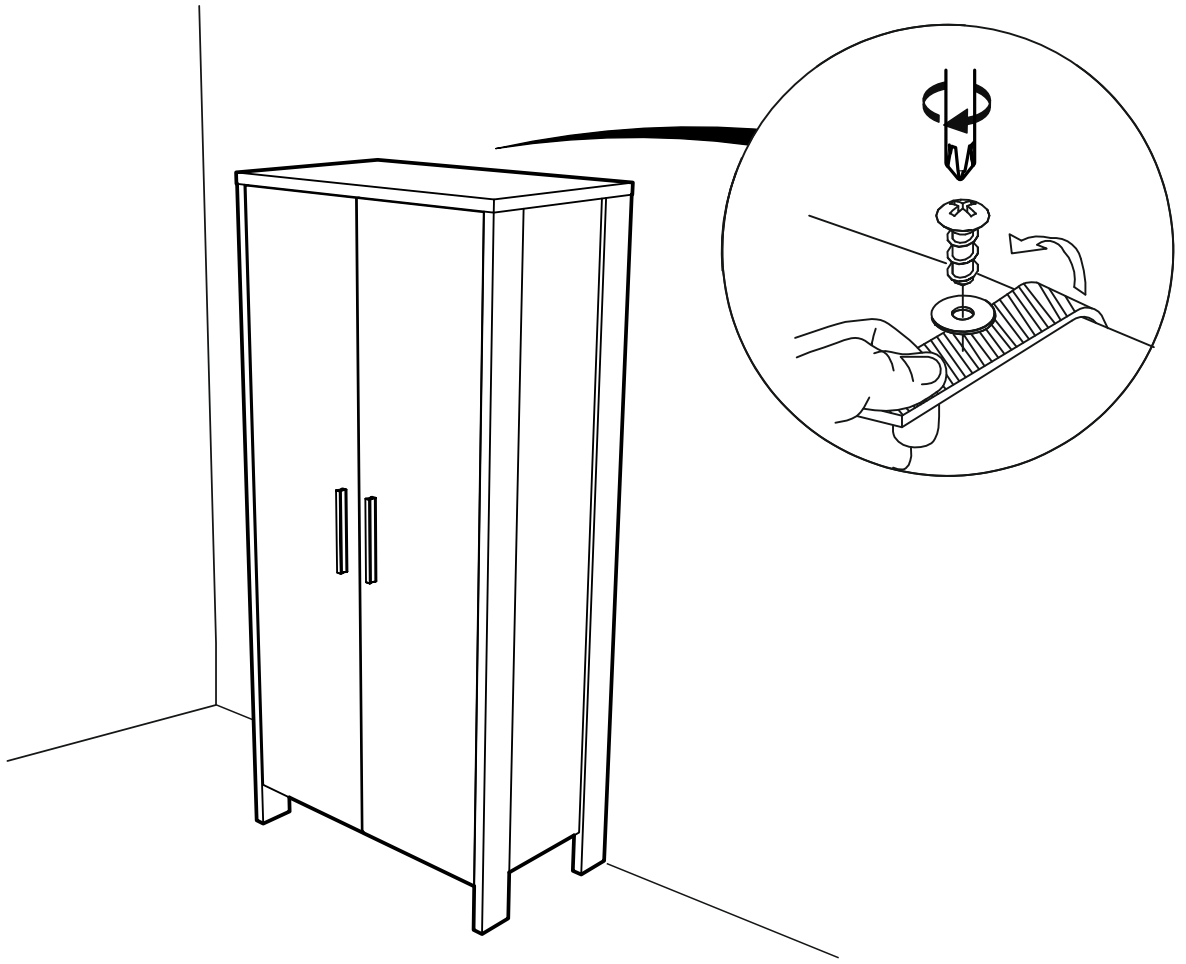
x 1



24







## **Safety**

Always use the wall attachment strap provided.

All assembly fixings should always be tightened properly. Care should be taken that no screws are loose because a child could trap parts of their body, or clothing (e.g. strings, necklaces, ribbons, dummies, etc.) which could pose a risk of strangulation.

Be aware of the risks of open fires and other such sources of strong heat, such as electric bar fires, gas fires, etc. in the near vicinity of the wardrobe.

Do not use if any of the parts are broken, torn or missing.

Any additional or replacement parts can only be obtained from the manufacturer or the distributor.

ensure there are no small parts fittings are left after assembly as these can be a choking hazard.

## **Maintenance**

Take care when handling or moving the furniture. Careless handling may cause damage.

Regularly check that all fixings are tightened and that there are no broken or damaged parts.

## **Cleaning**

Your wardrobe can be cleaned by wiping with a damp cloth and drying with a soft clean cloth. Do not use abrasives, bleach, alcohol or ammonia based household polishes.

**MAGICBABY LTD**

**Unit 7 Brookfields Way,**

**S63 5DL Manvers Rotherham,**

**United Kingdom**

VENICCI<sup>®</sup>  
HOME