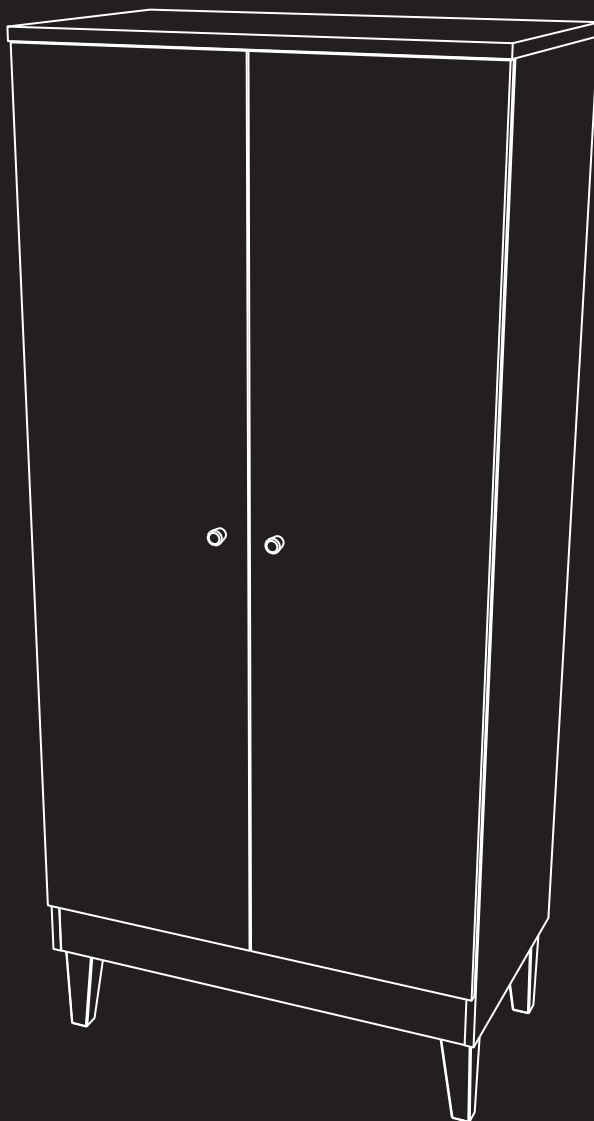


VENICCI[®]
HOME

Saluzzo

Wardrobe



Assembly instruction

DO NOT DRAG
2 MAN LIFT



Important: retain for future reference

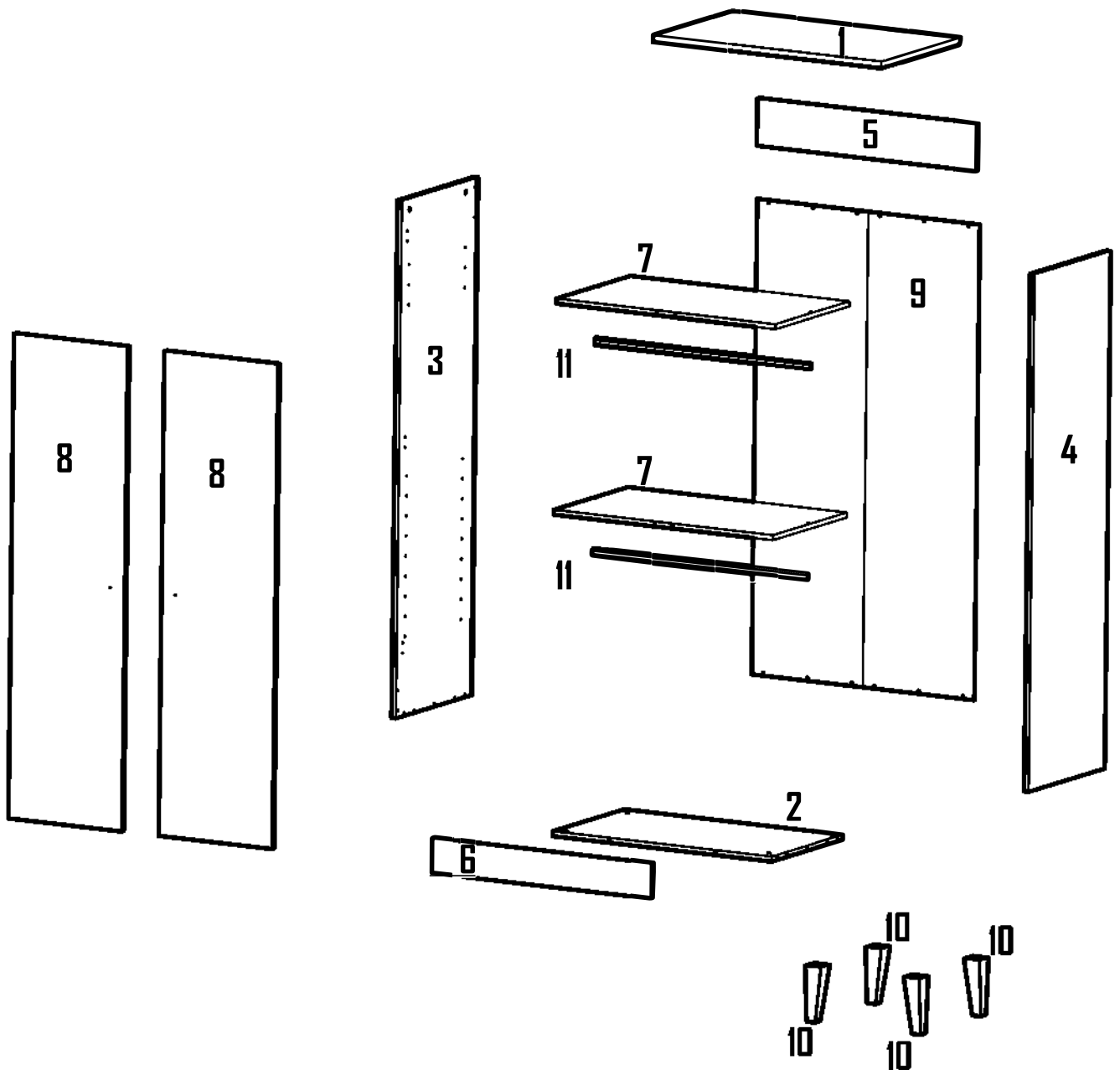
Read carefully


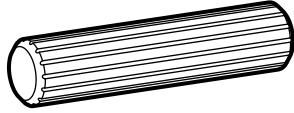
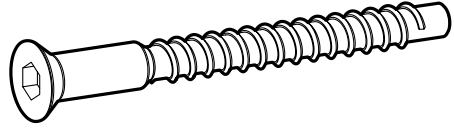
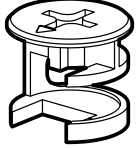
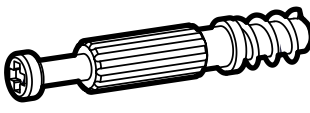
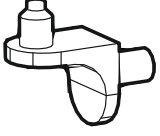

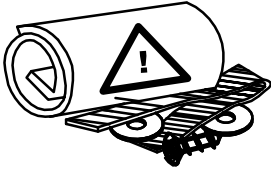
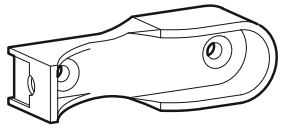
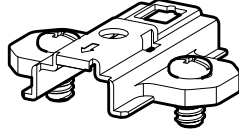
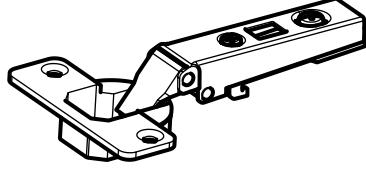
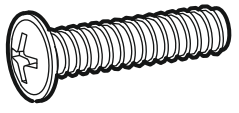
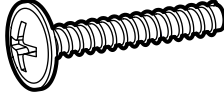
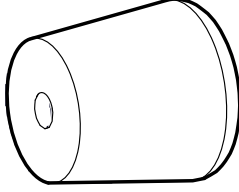

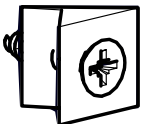
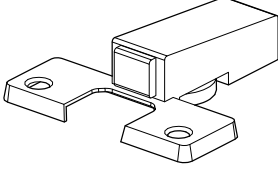
IND.4021780


BEFOR ASSEMBLY

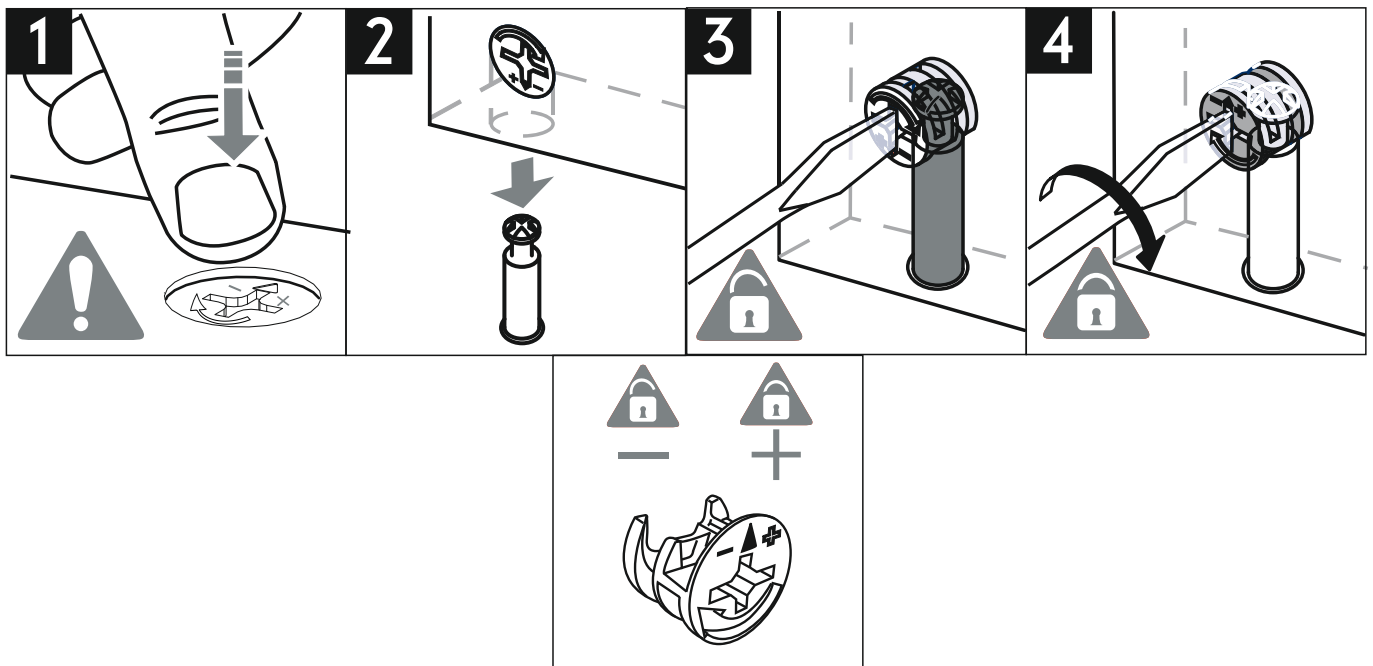
MAIN COMPONENTS

- unpack all the parts and identify them against the fitting and components list.
- do not discard any packaging until you have checked that you have all parts as shown below.
- you may find the construction of your dresser easier if you have the help of another person.
- crosshead screwdriver (not provided).



<p>100806</p>  <p>x 1</p>	<p>1005857</p>  <p>x 12</p>	<p>1005547</p>  <p>x 8</p>
<p>1005367</p>  <p>x 18</p>	<p>1006091</p>  <p>x 18</p>	<p>1001262</p>  <p>x 8</p>
<p>1006012</p>  <p>x 12</p>	<p>1000893</p>  <p>x 1</p>	<p>1000225</p>  <p>x 4</p>
<p>1004785</p>  <p>x 6</p>	<p>1000197</p>  <p>x 6</p>	<p>1110778</p>  <p>x 4</p>
<p>1005471</p>  <p>x 2</p>	<p>2150437</p>  <p>x 2</p>	<p>1005681</p>  <p>x 12</p>
<p>1006022</p>  <p>x 6</p>	<p>1000339</p>  <p>x 2</p>	

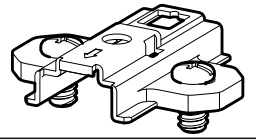
ARTIKELNUMMER ITEM NUMER ARTIKELNUMMER		4021782	AANTAL QUANTITY ANZAHL	AFTMETINGEN [mm] DIMENSIONS [mm] ABMESSUNGEN [mm]		
1	1/3	2221643	1	825	500	22
2	1/3	2221644	1	791	449	16
3	2/3	2221645	1	1648	479	16
4	2/3	2221646	1	1648	479	16
5	3/3	2221647	1	791	150	16
6	3/3	2221648	1	791	110	16
7	1/3	2221649	2	791	465	16
8	3/3	2221650	2	1544	408	16
9	3/3	2219815	1	1514	803	2,5
10	1/3	1129816	4	180	58	33
11	3/3	1125236	2	778	x	x



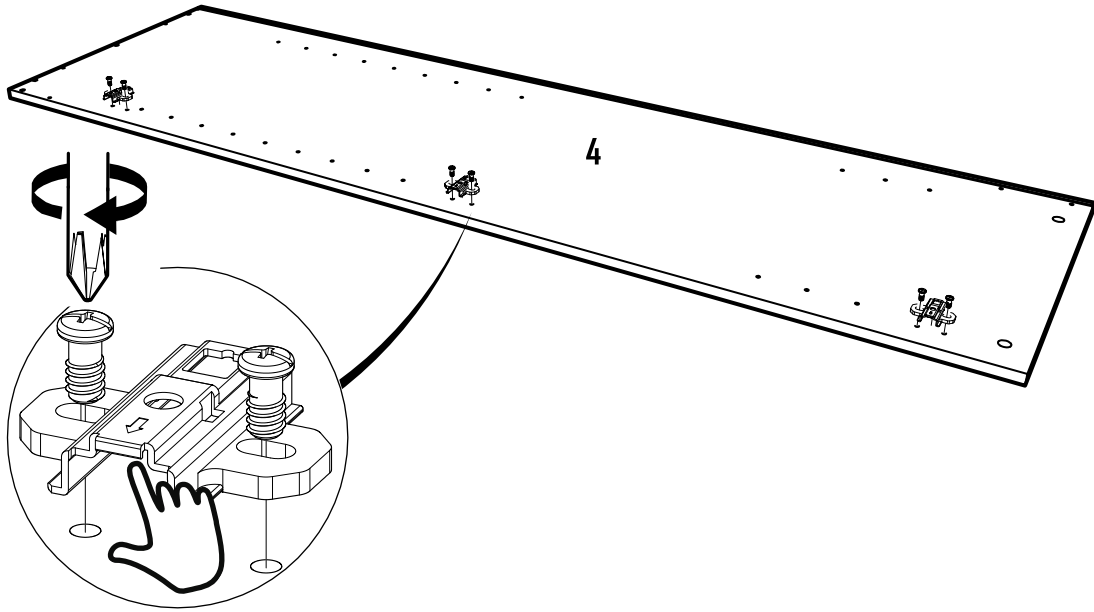
EN. In case of complain please advise the spare part number.

1

1004785



x 3



2

1005857



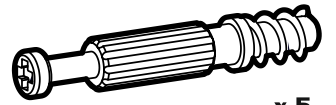
x 2

1005367

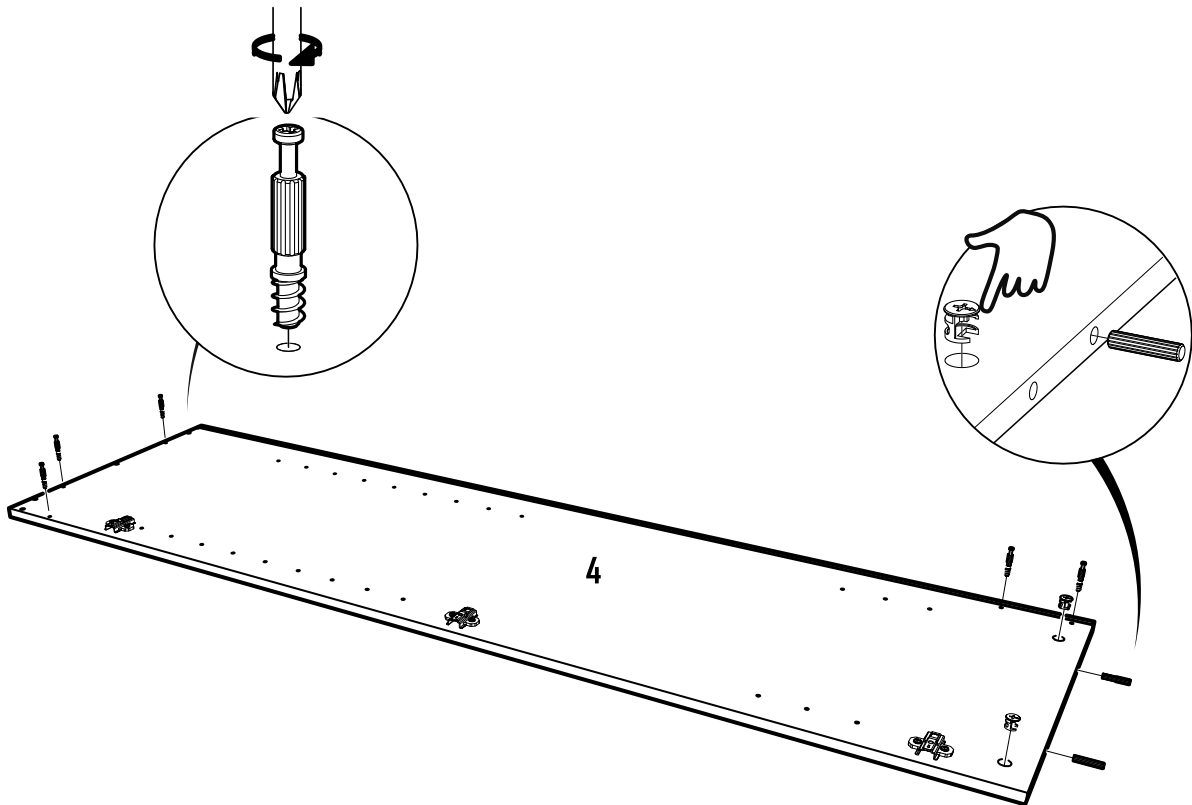


x 2

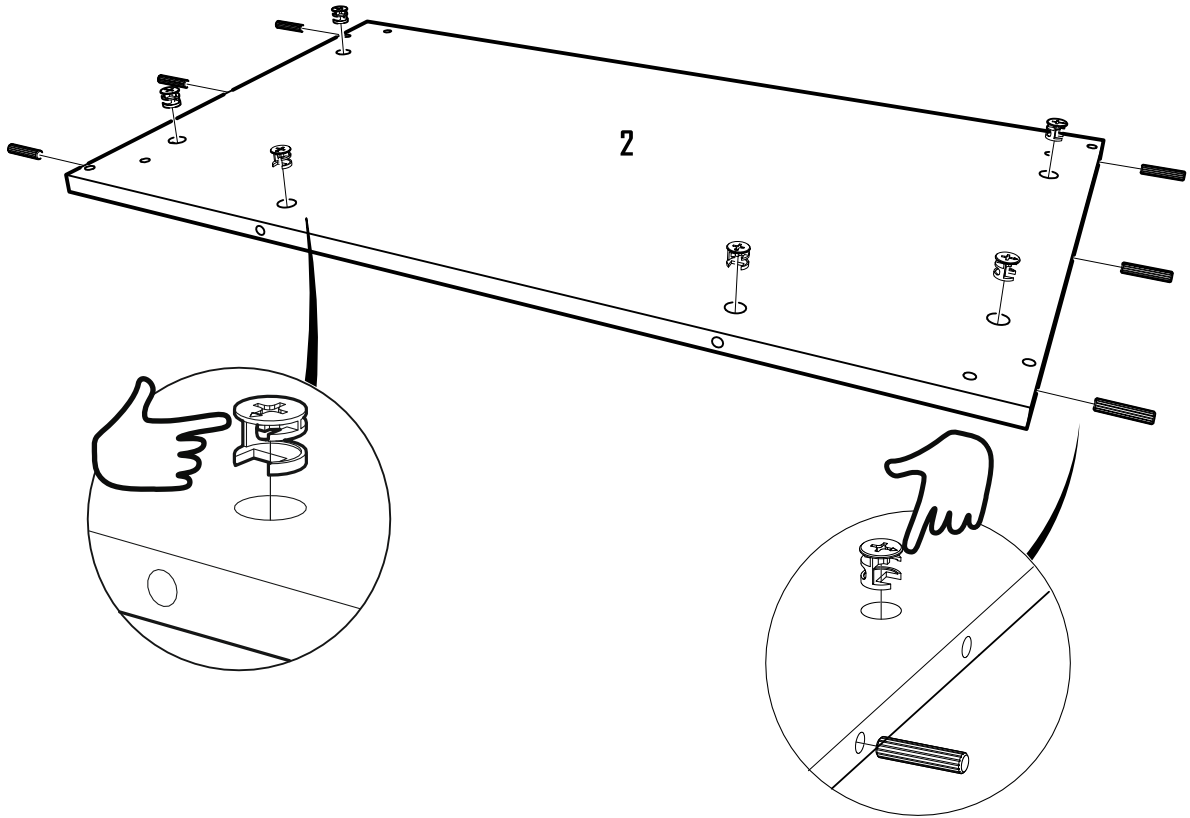
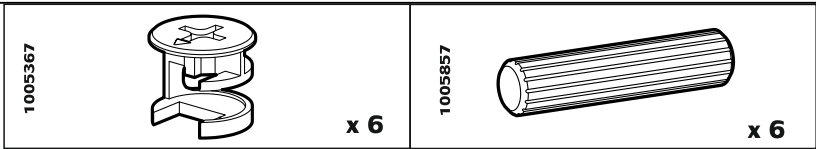
1006091



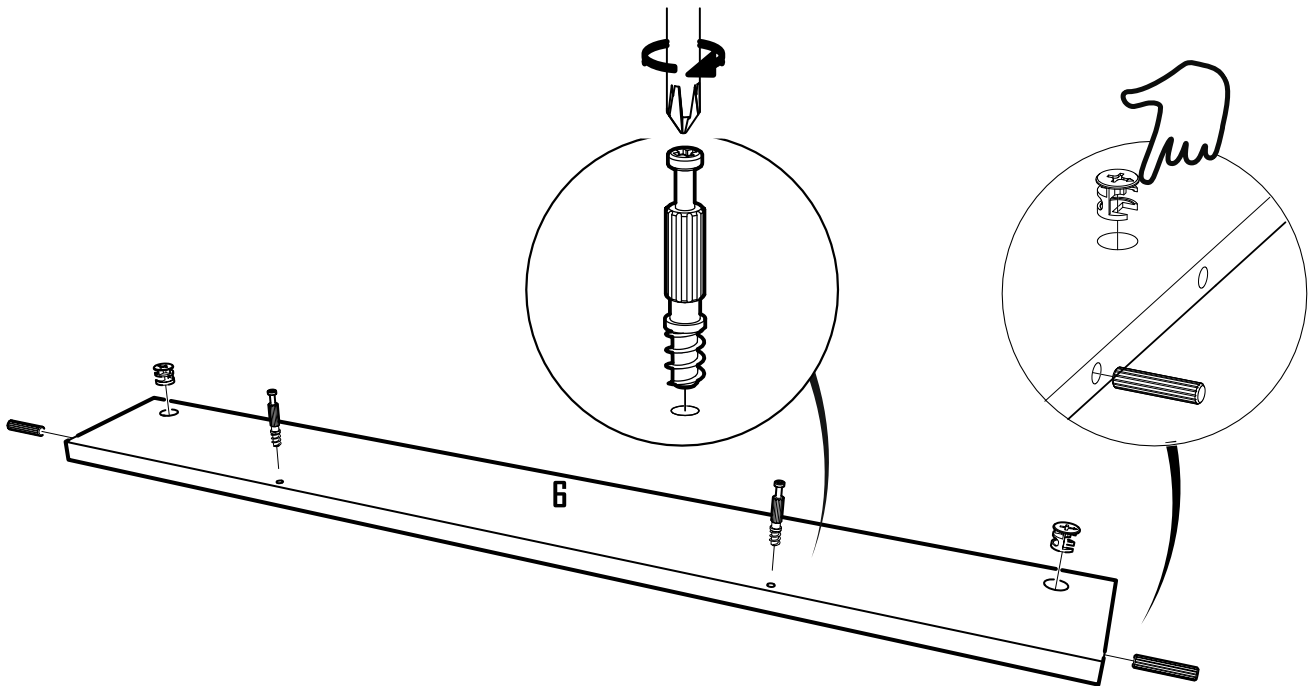
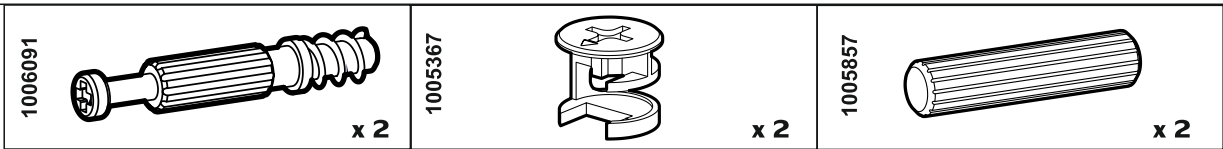
x 5



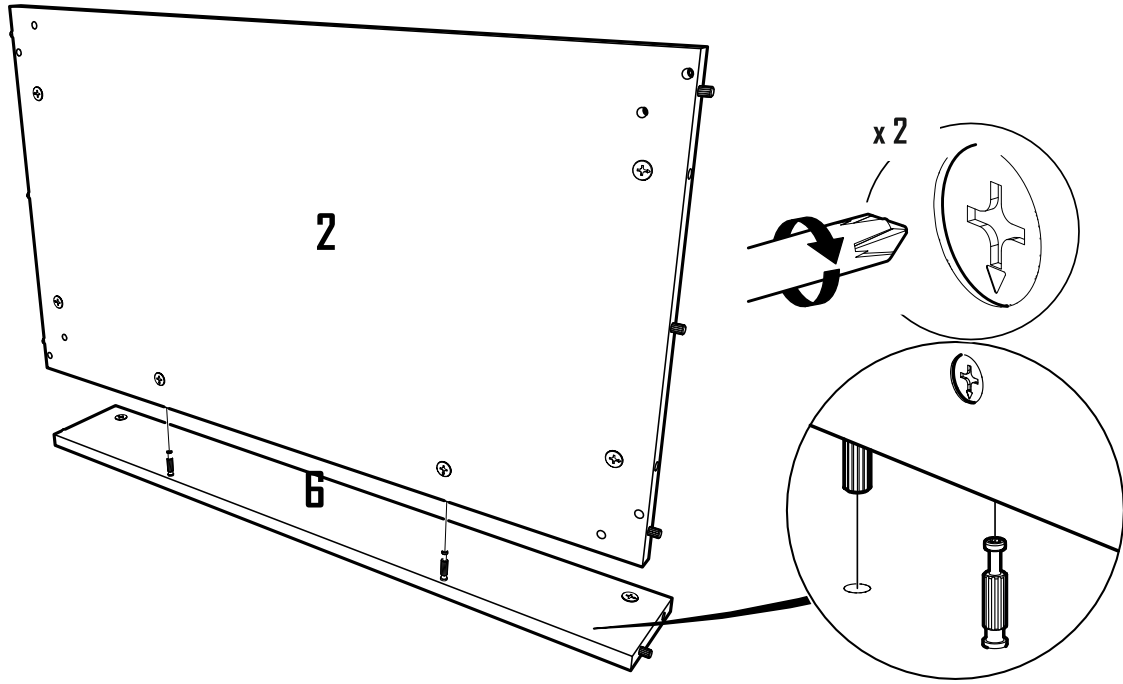
3



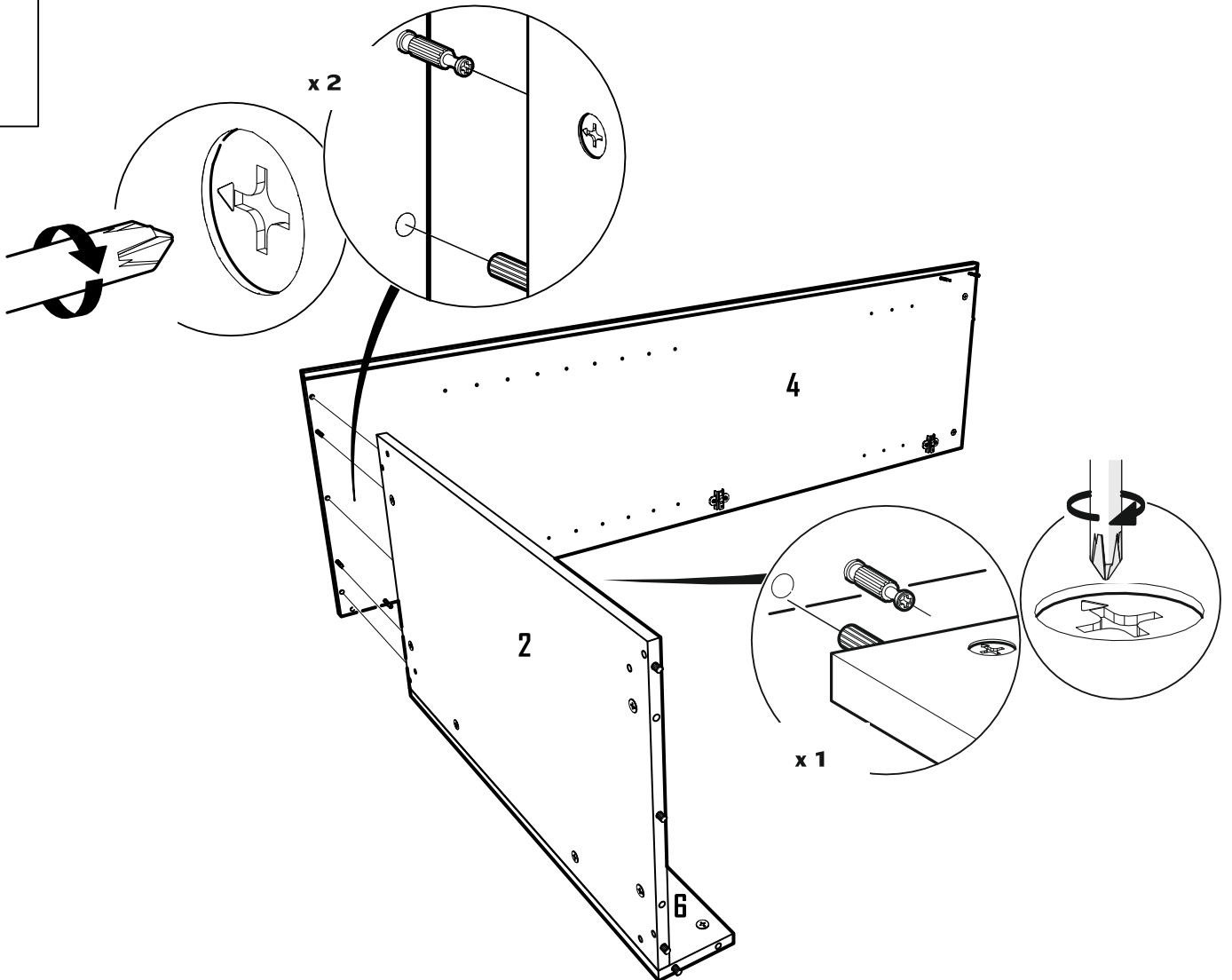
4



5

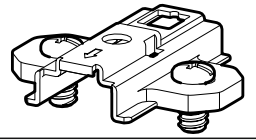


6

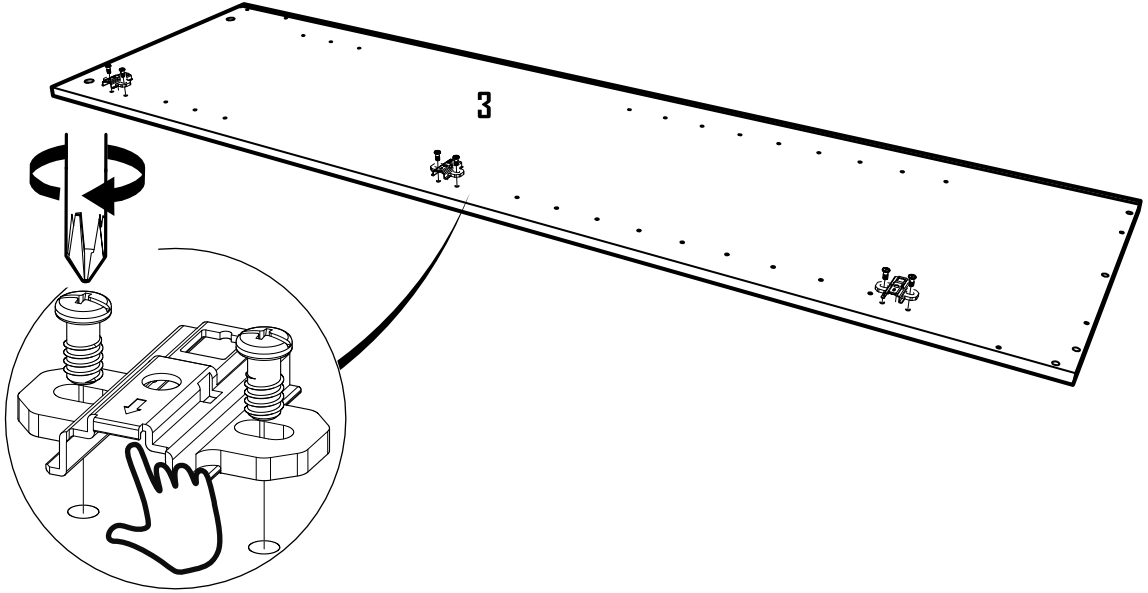


7

1004785



x 3



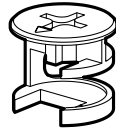
8

1005857



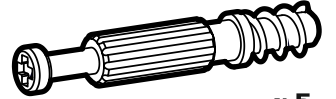
x 2

1005367

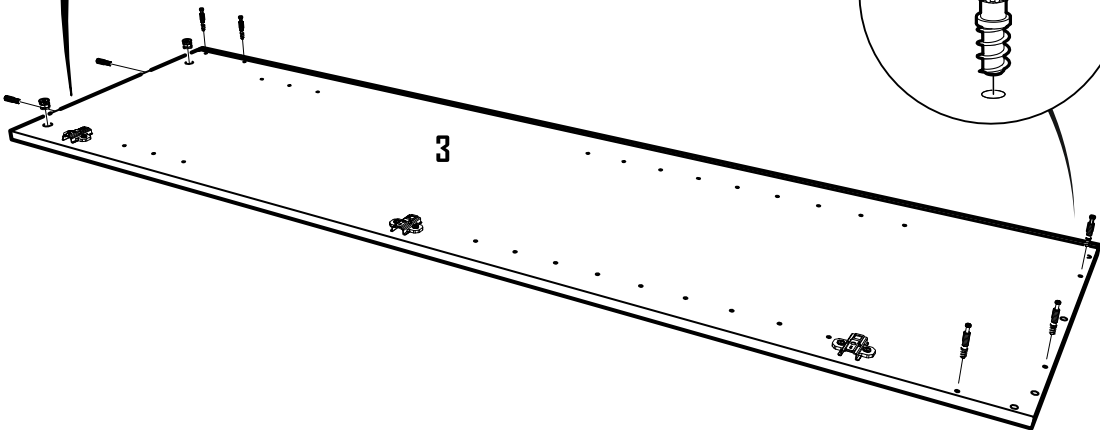
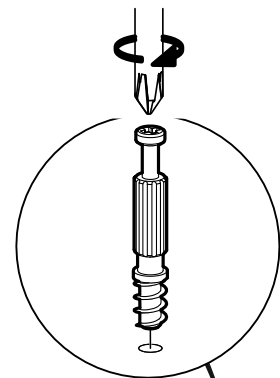
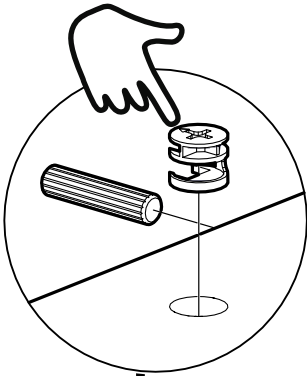


x 2

1006091

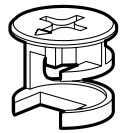


x 5

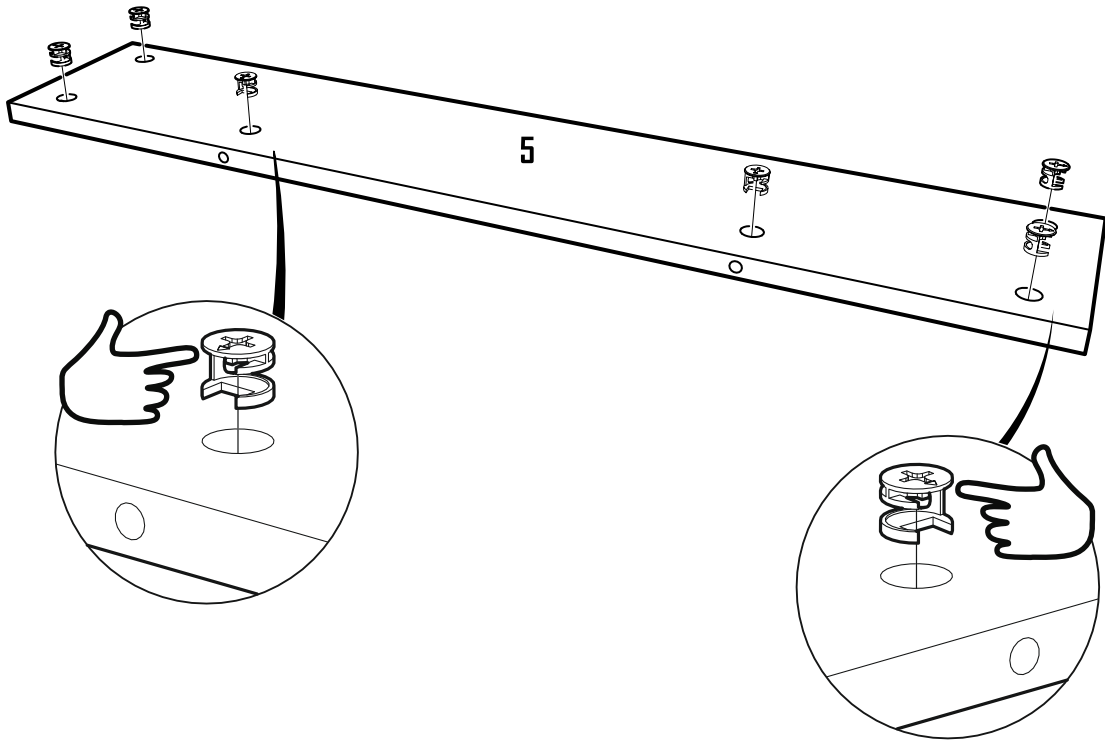


9

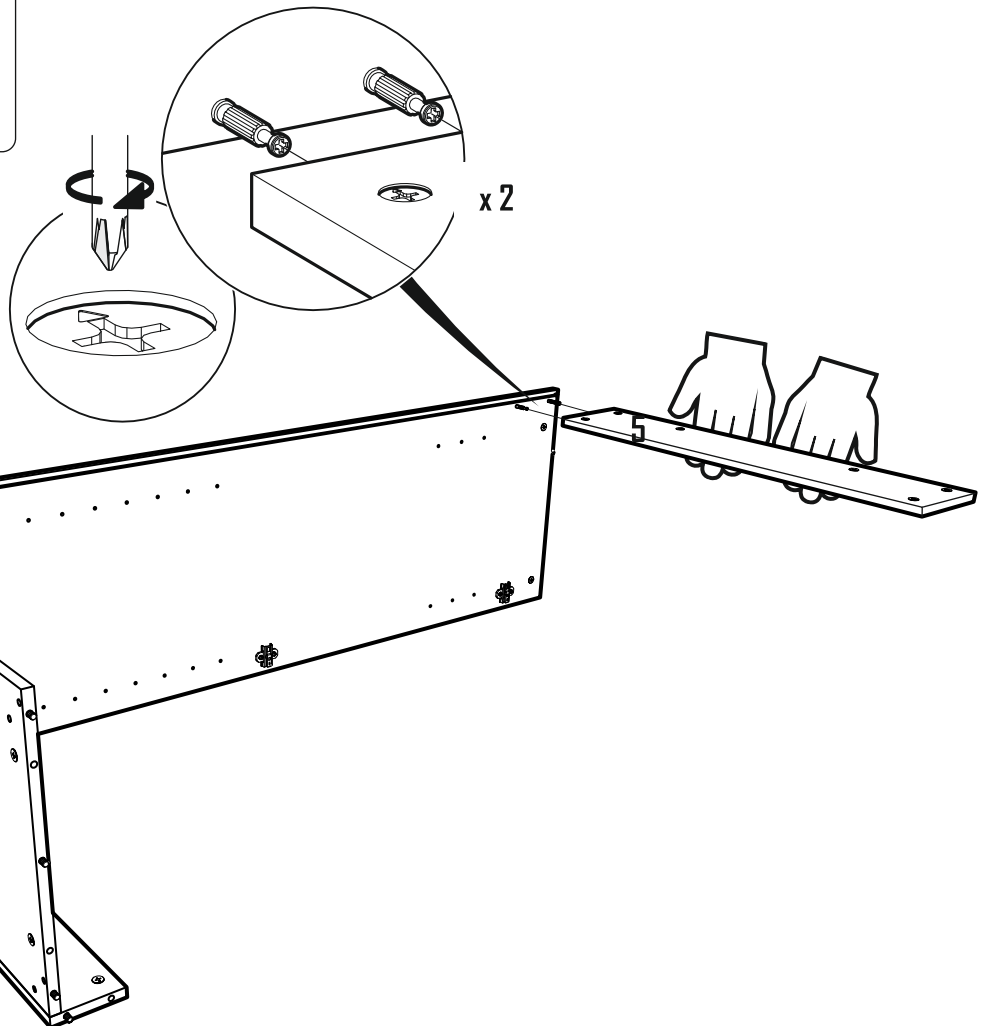
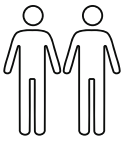
1005367



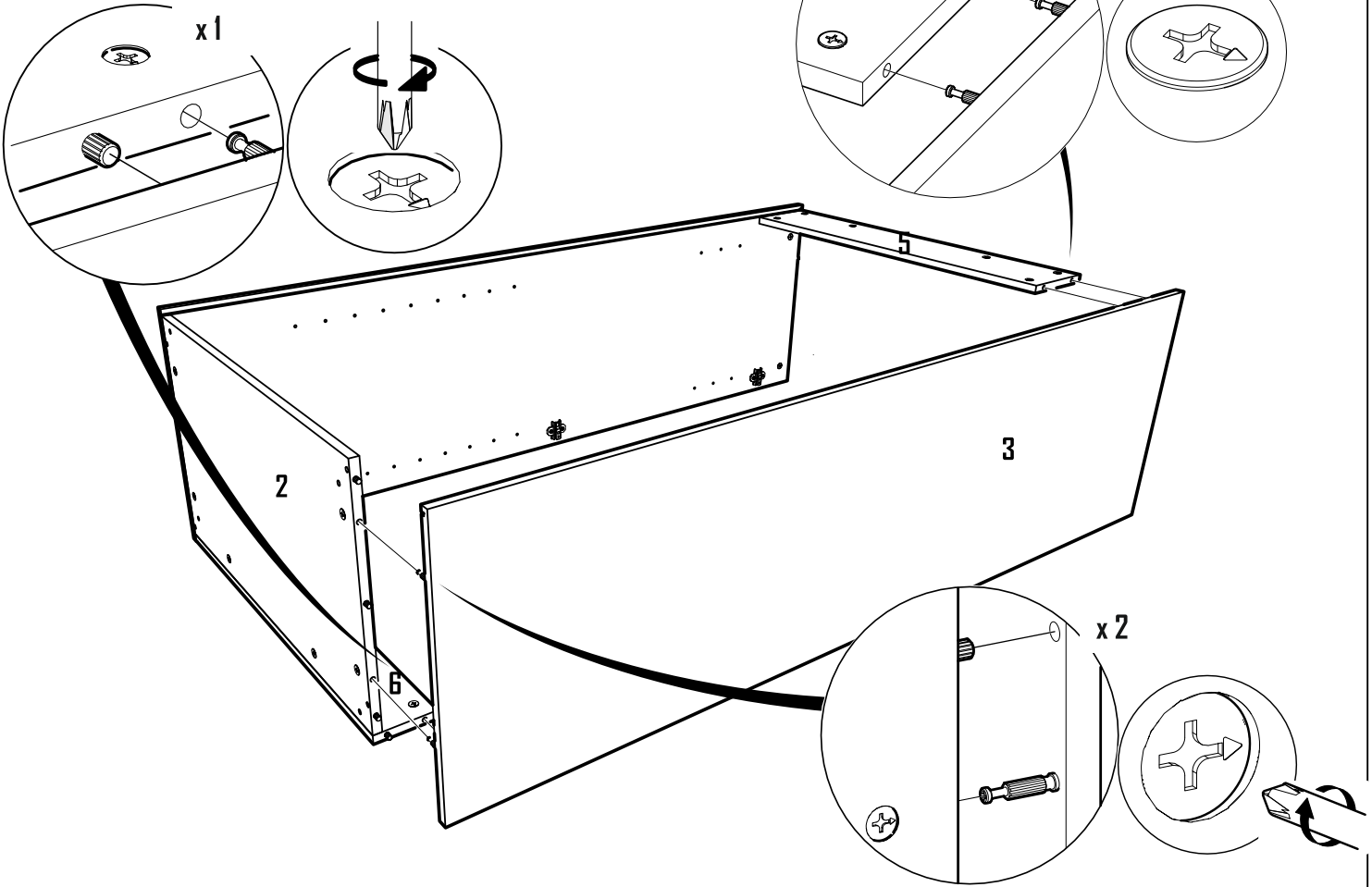
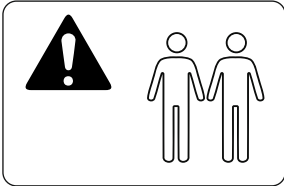
x 6



10

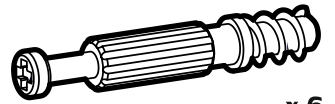


11

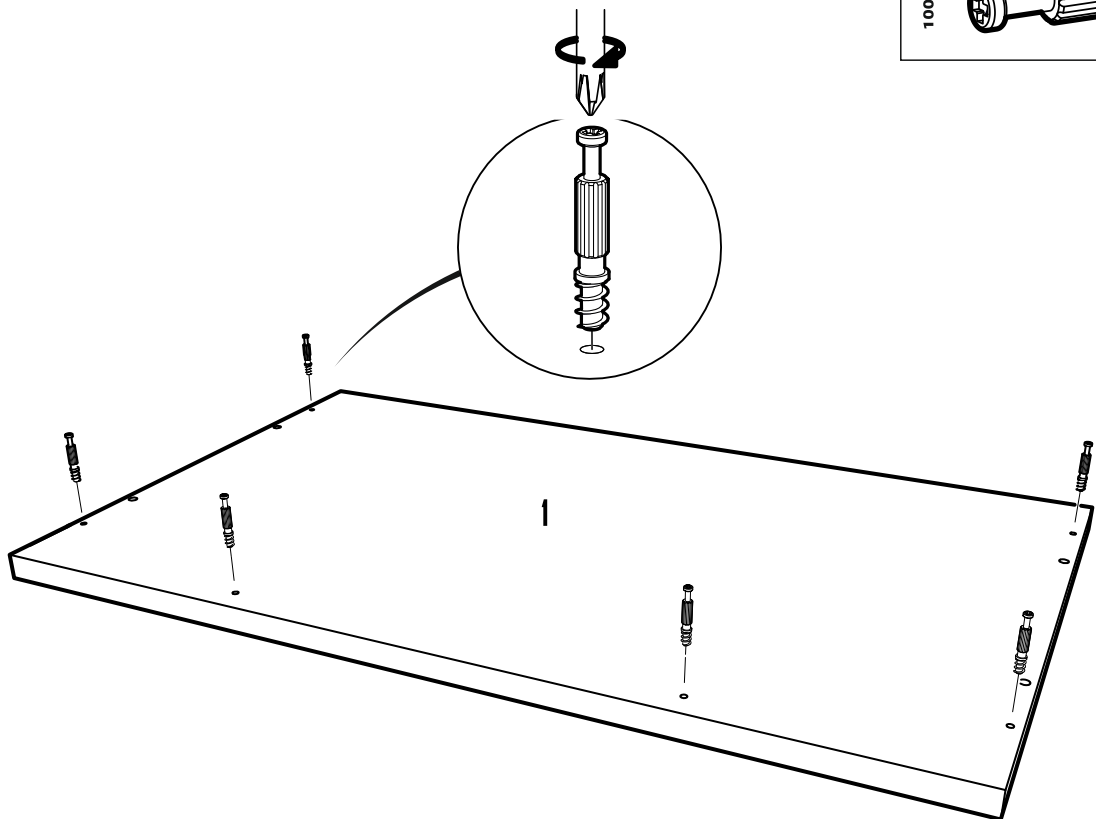


12

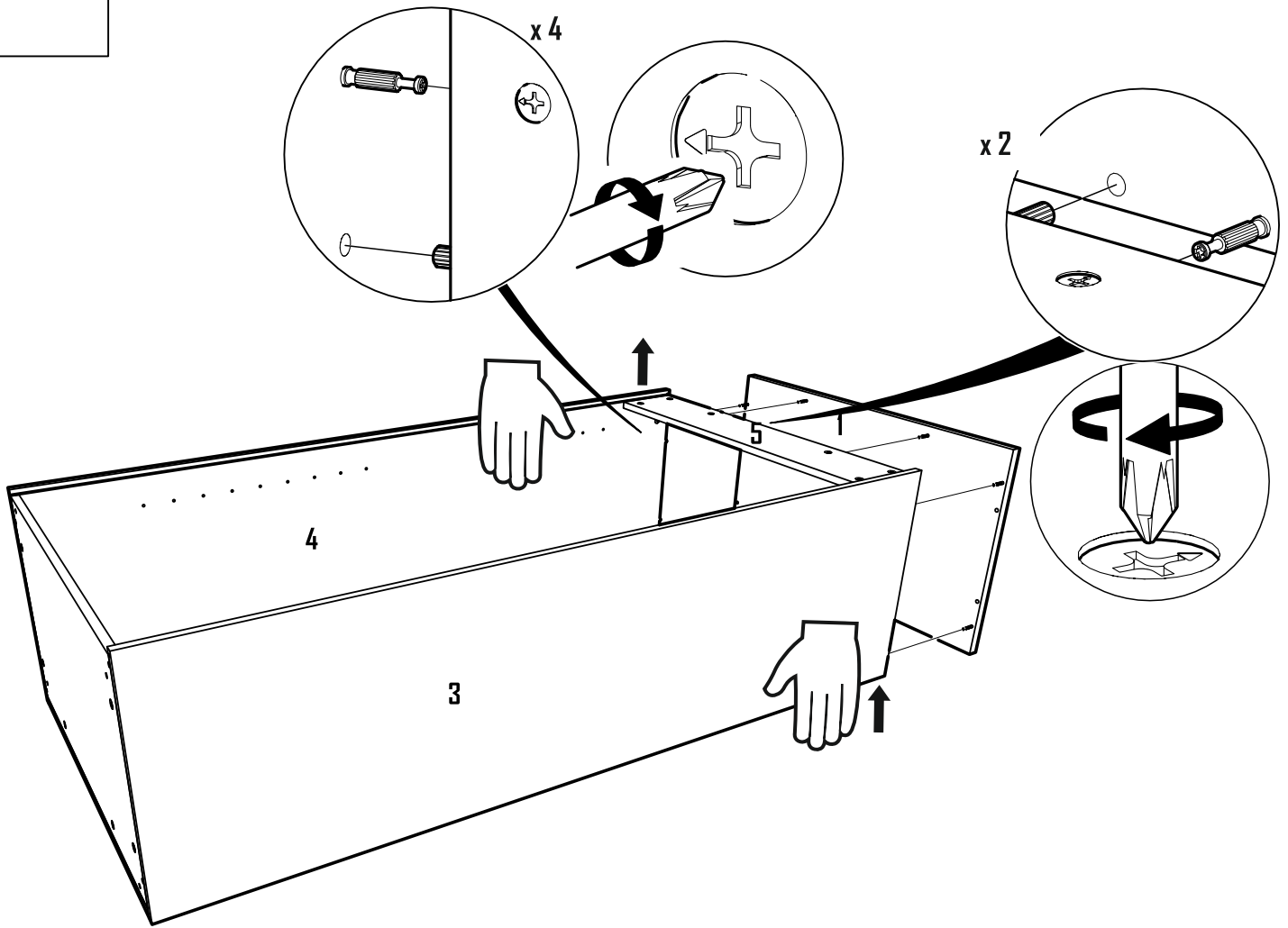
1006091



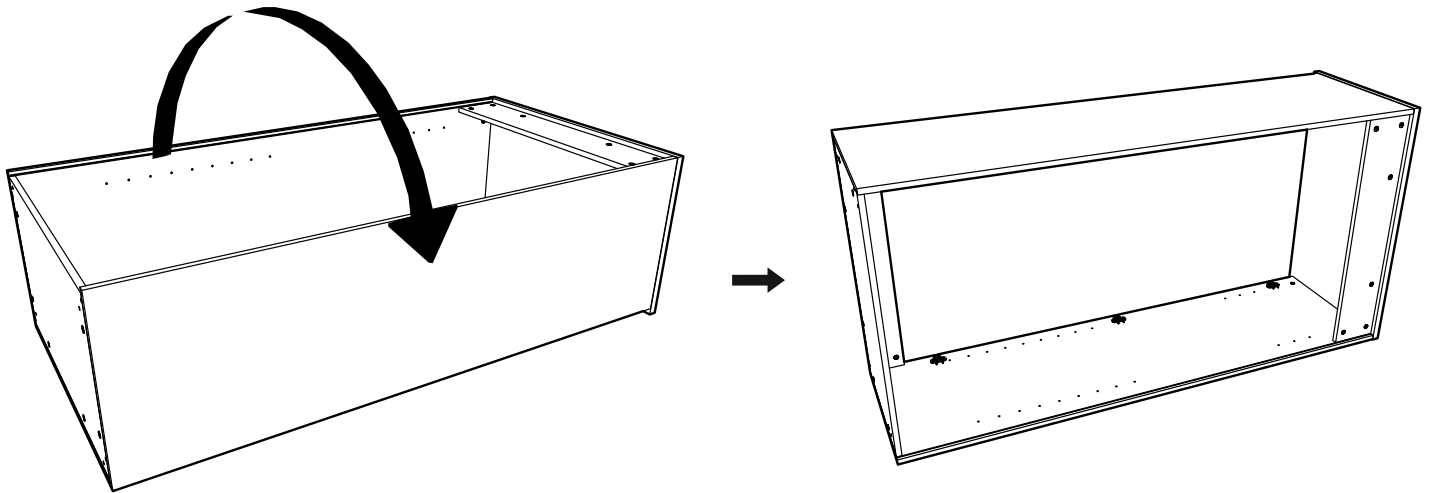
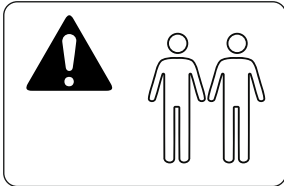
x 6



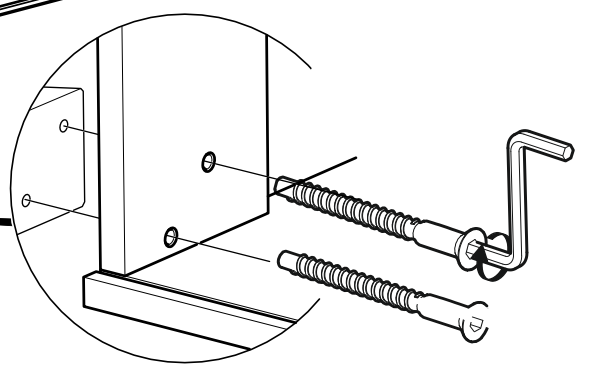
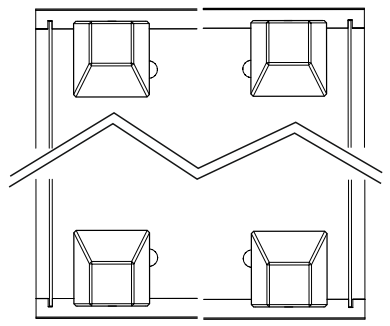
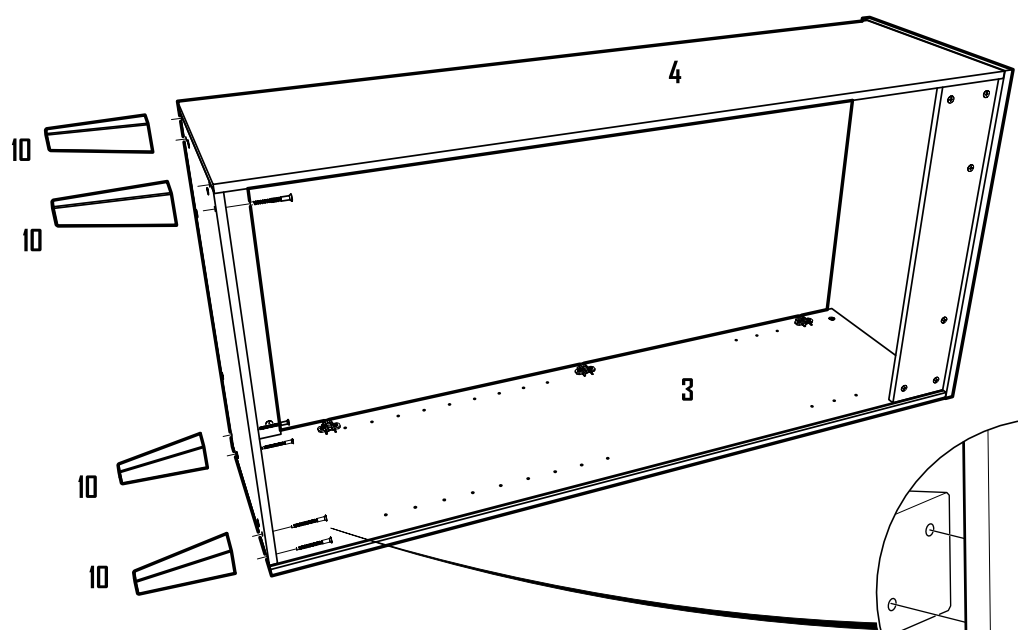
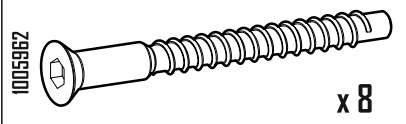
13



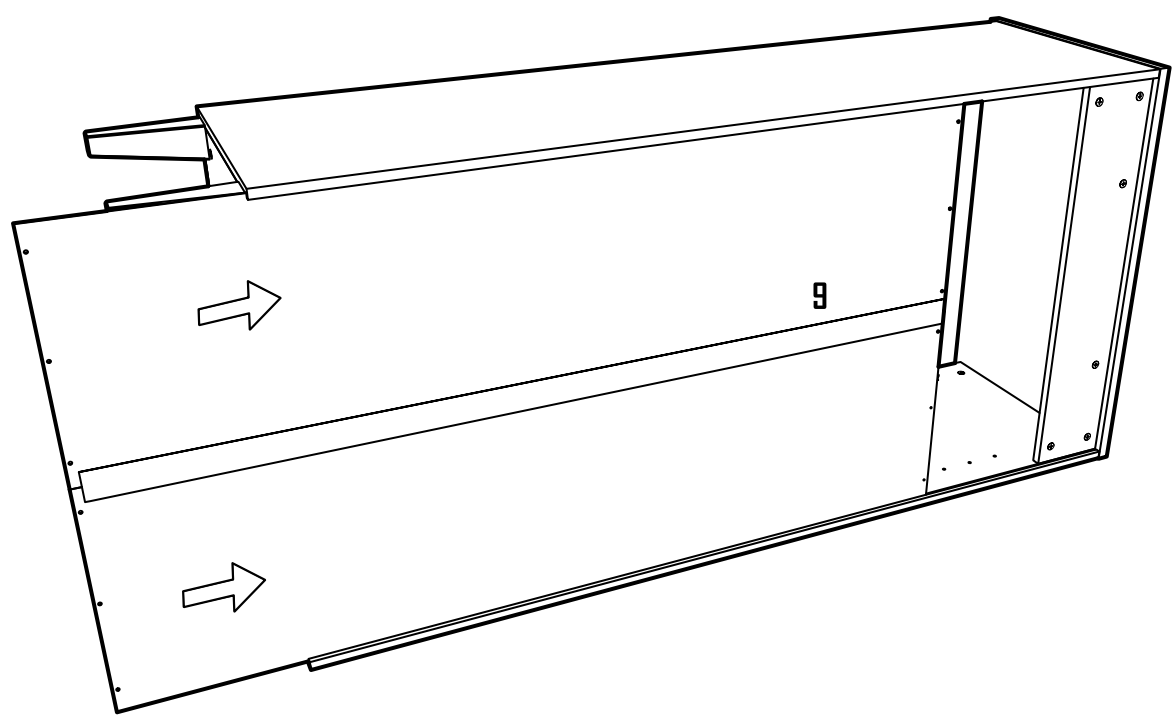
14



15



16

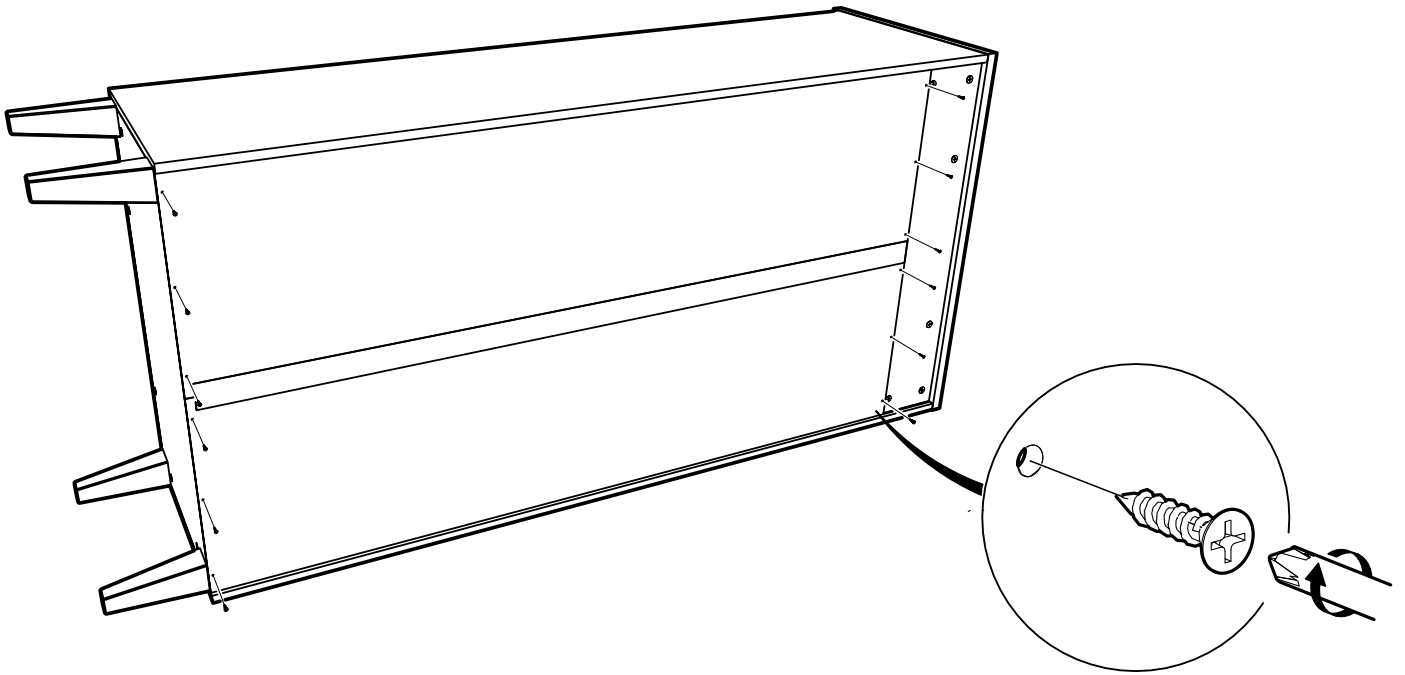


17

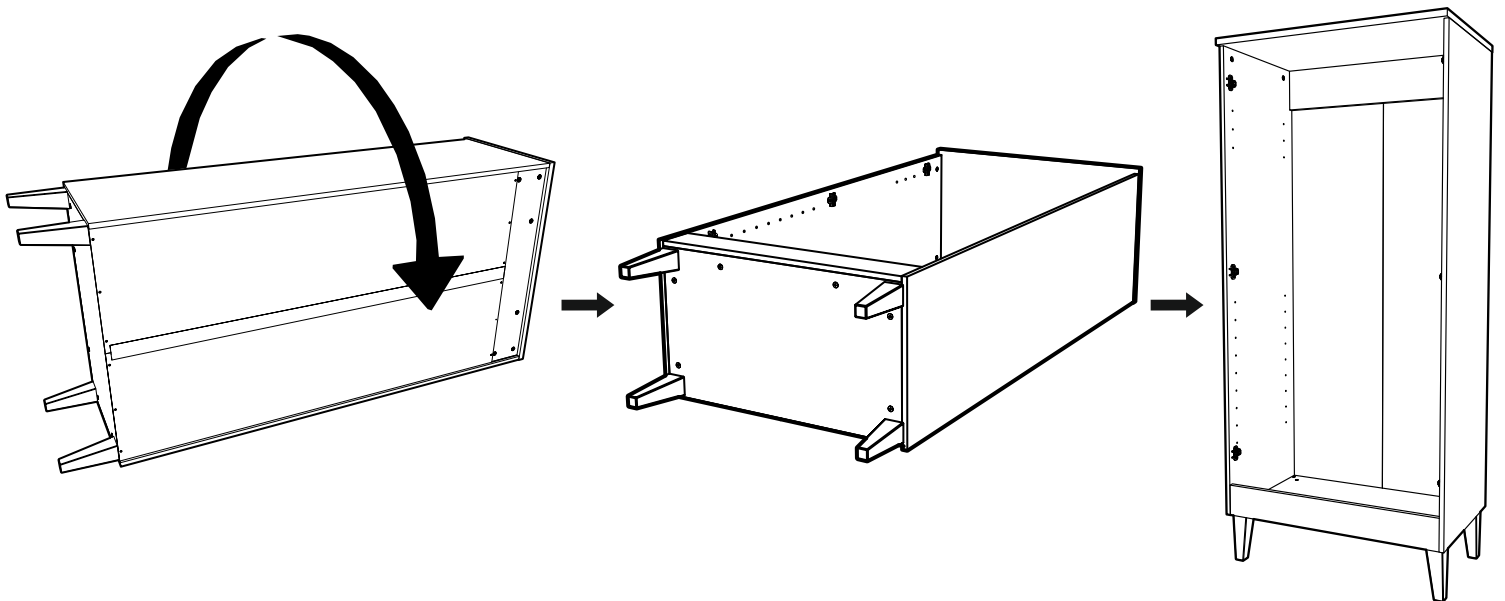
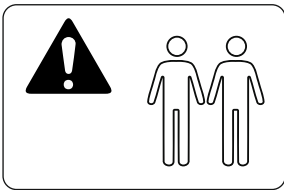
1006012



x 12

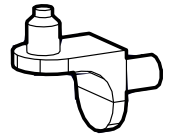


18

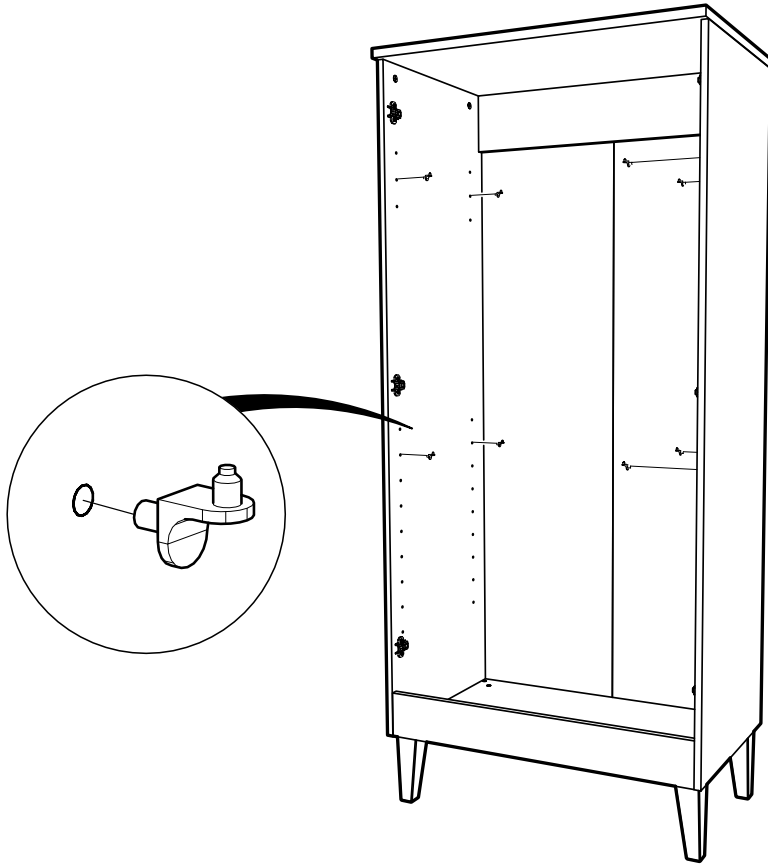


19

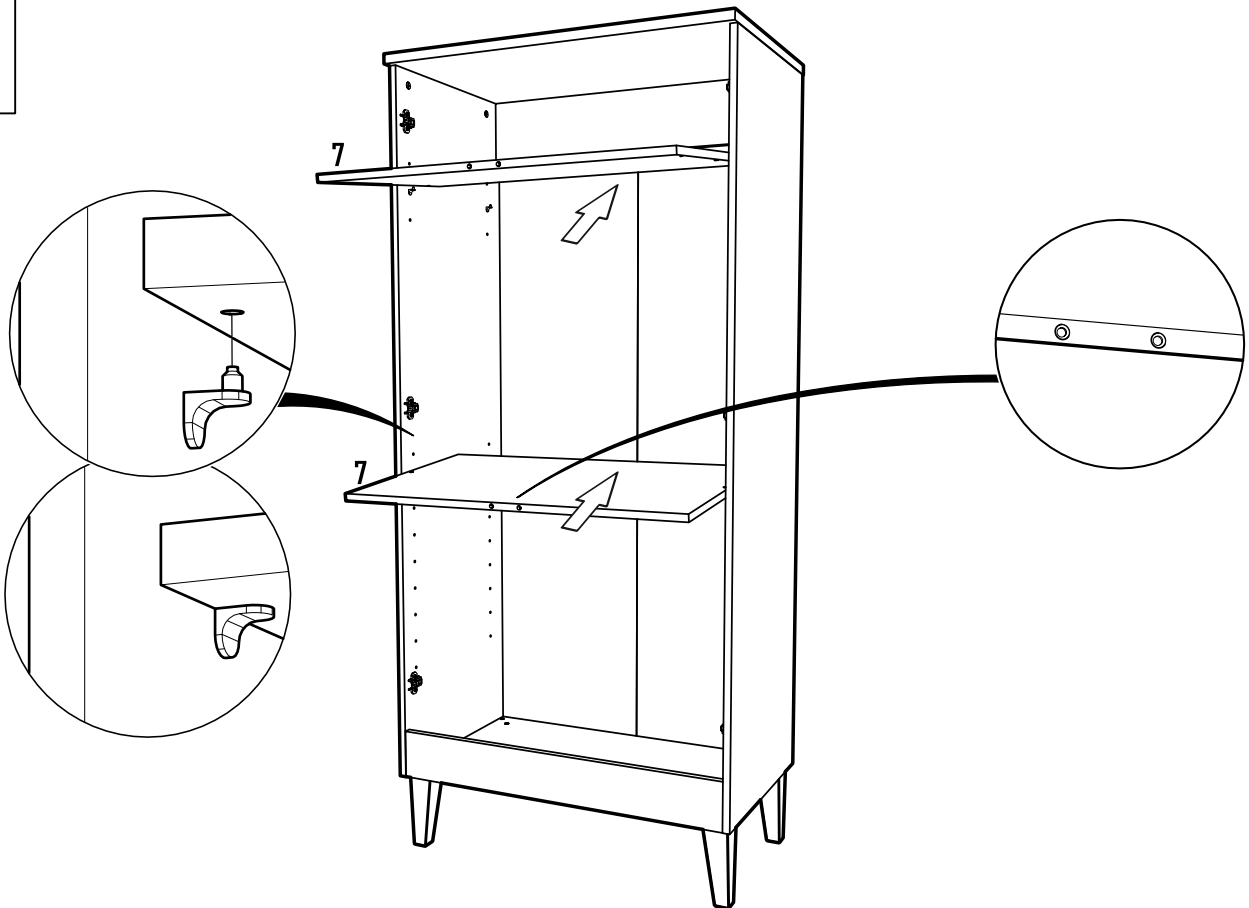
1001262



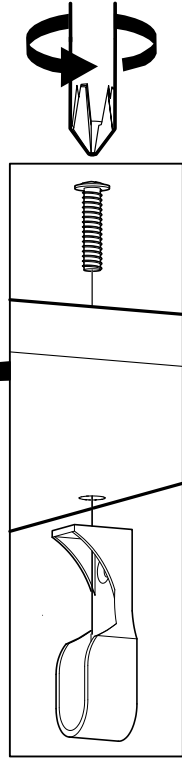
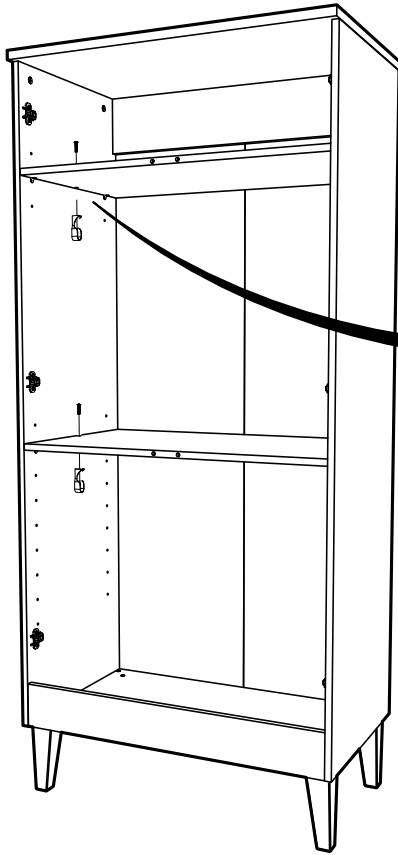
x 8



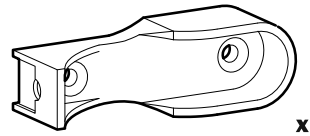
20



21

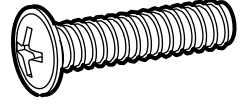


1000225



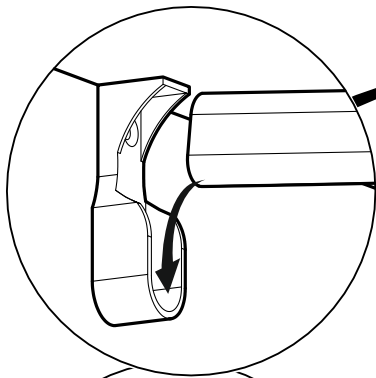
x 4

1110778

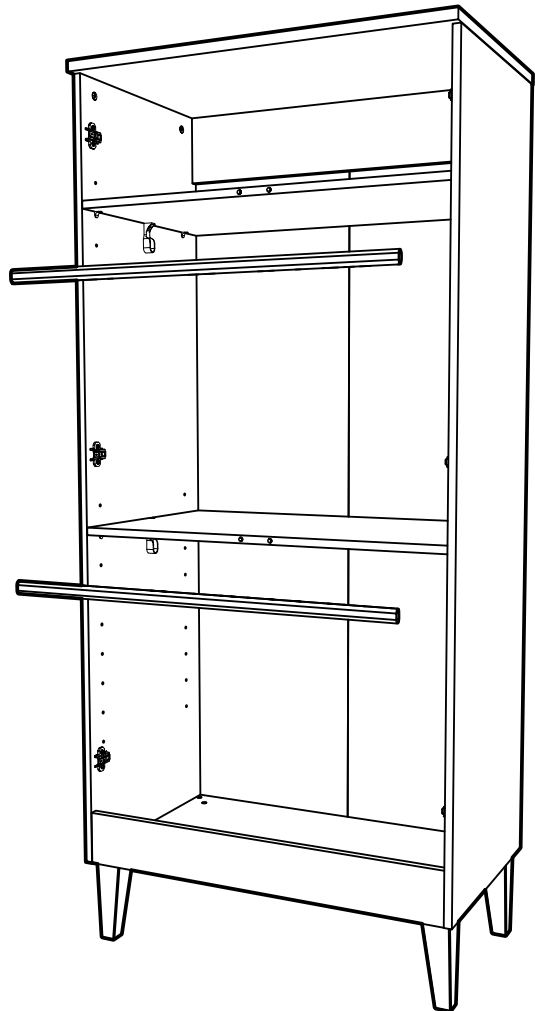


x 4

22

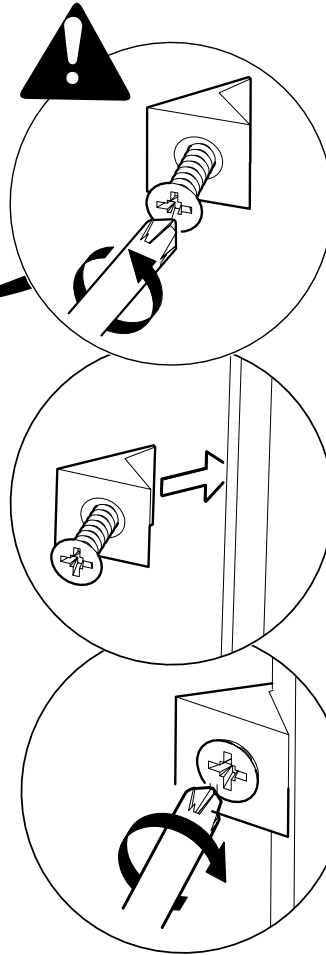
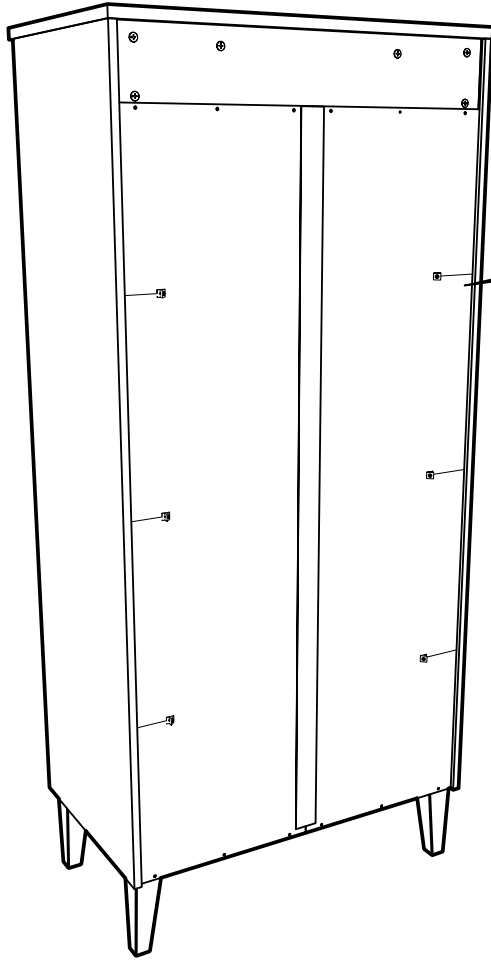


11

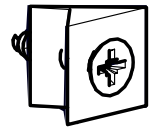


11

23



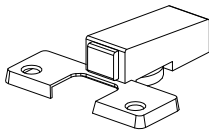
1006022



x 6

24

1000339



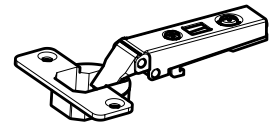
x 2

1005681

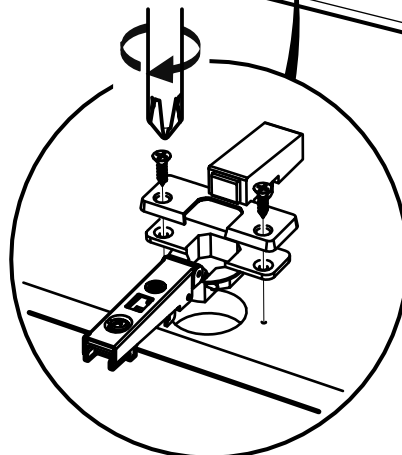
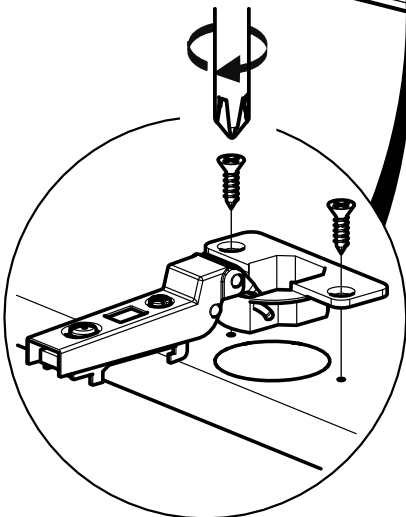
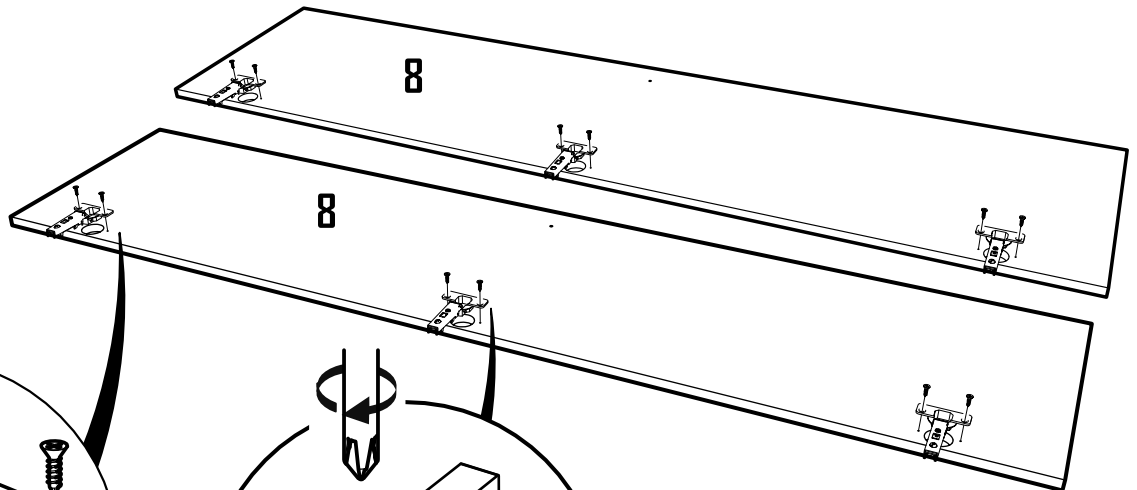


x 12

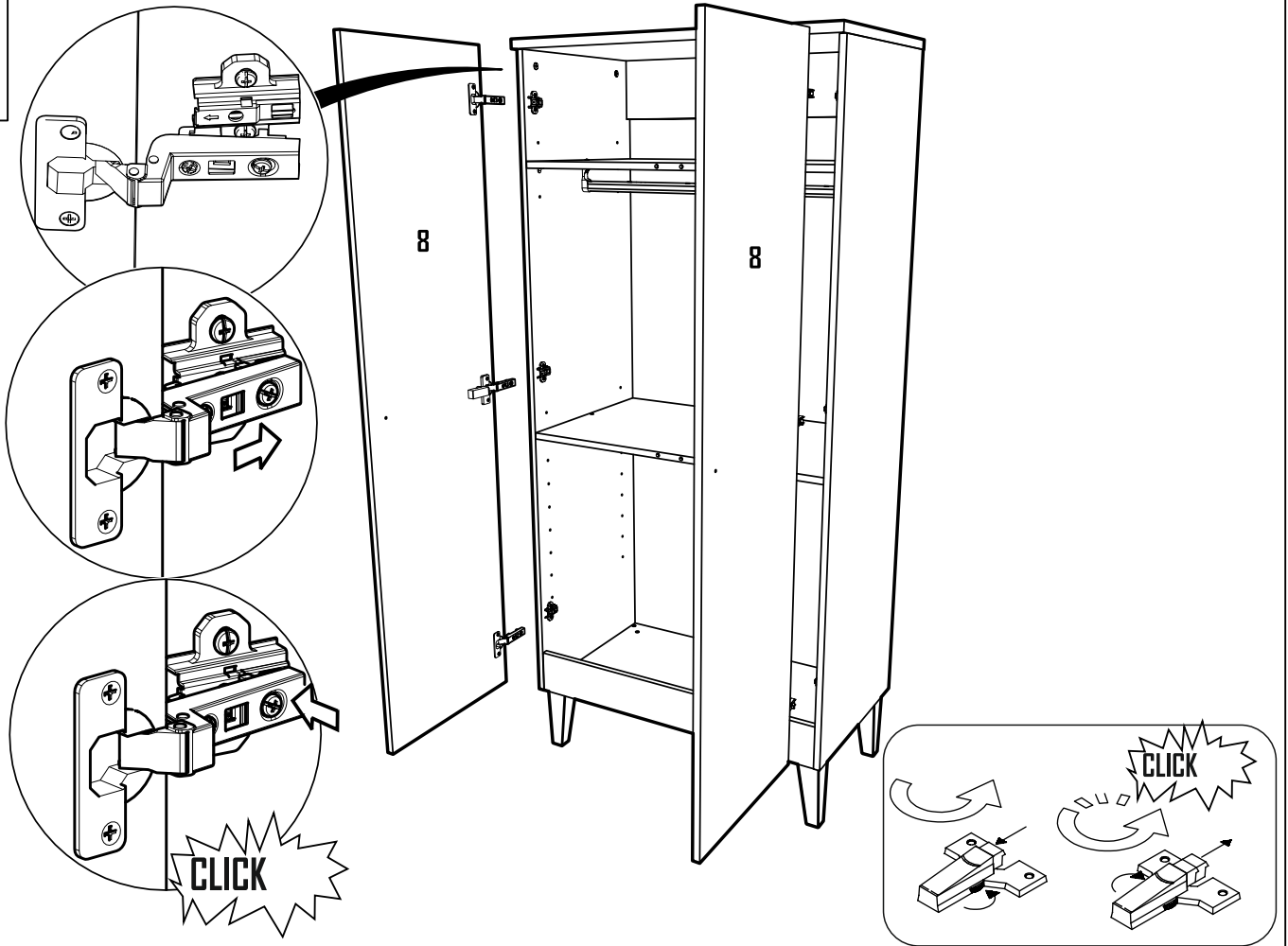
1000197



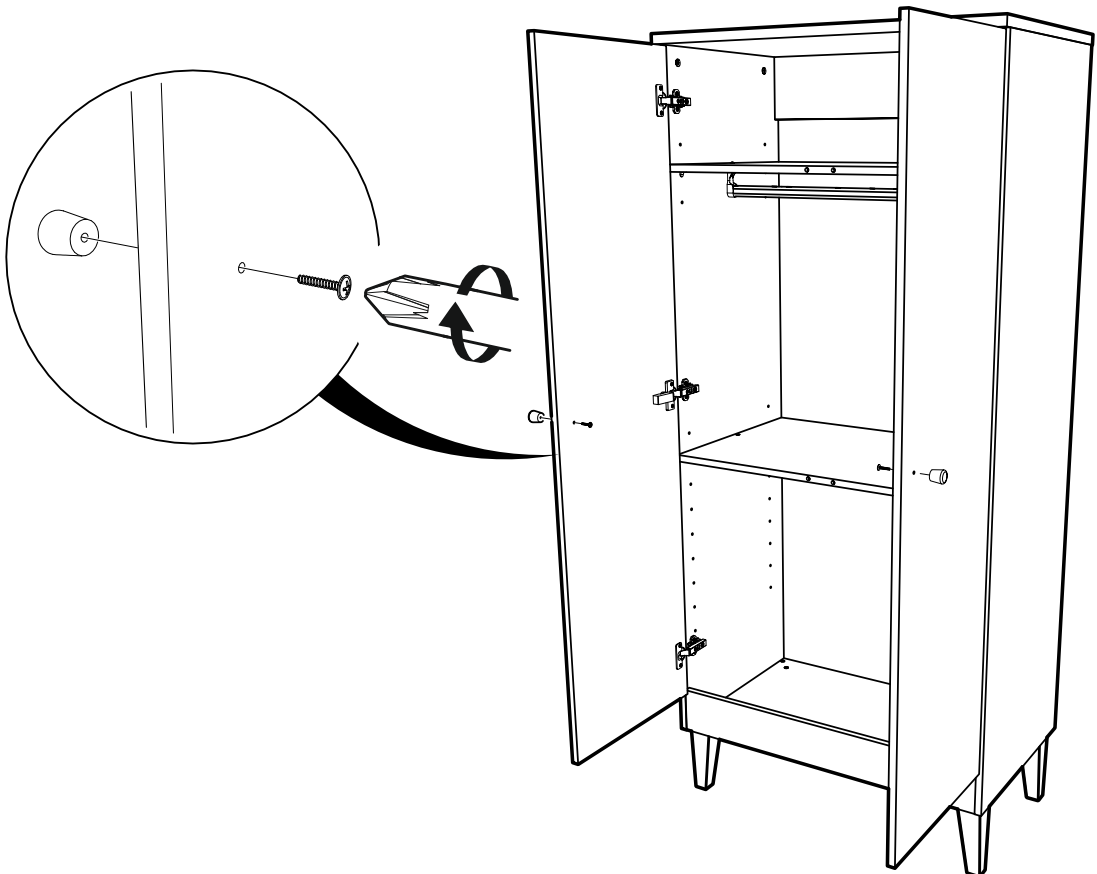
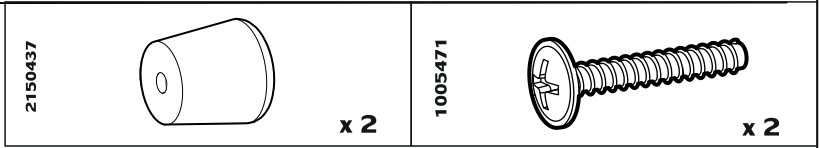
x 6



25



26

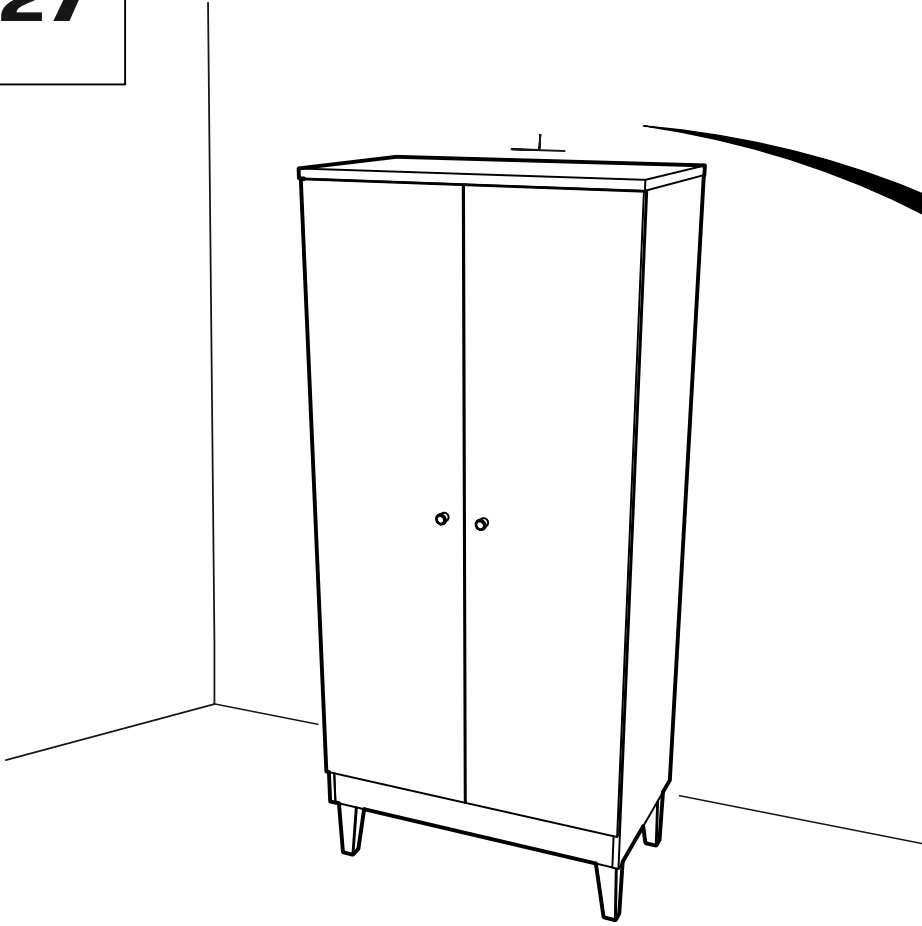


27

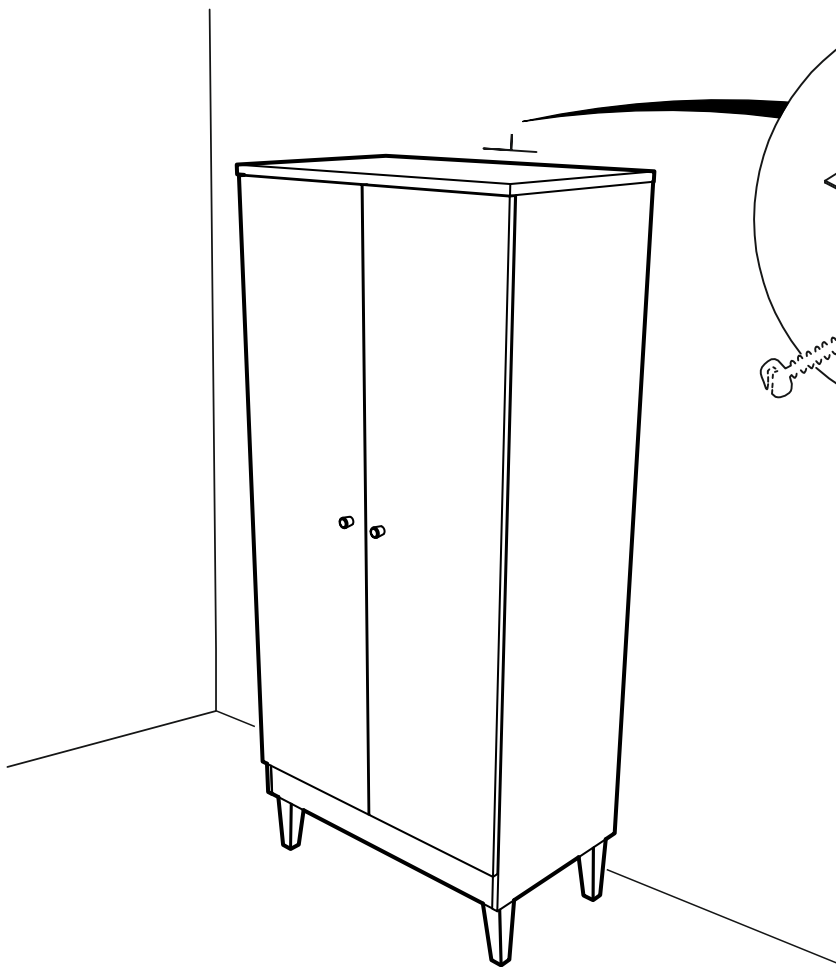
1000893

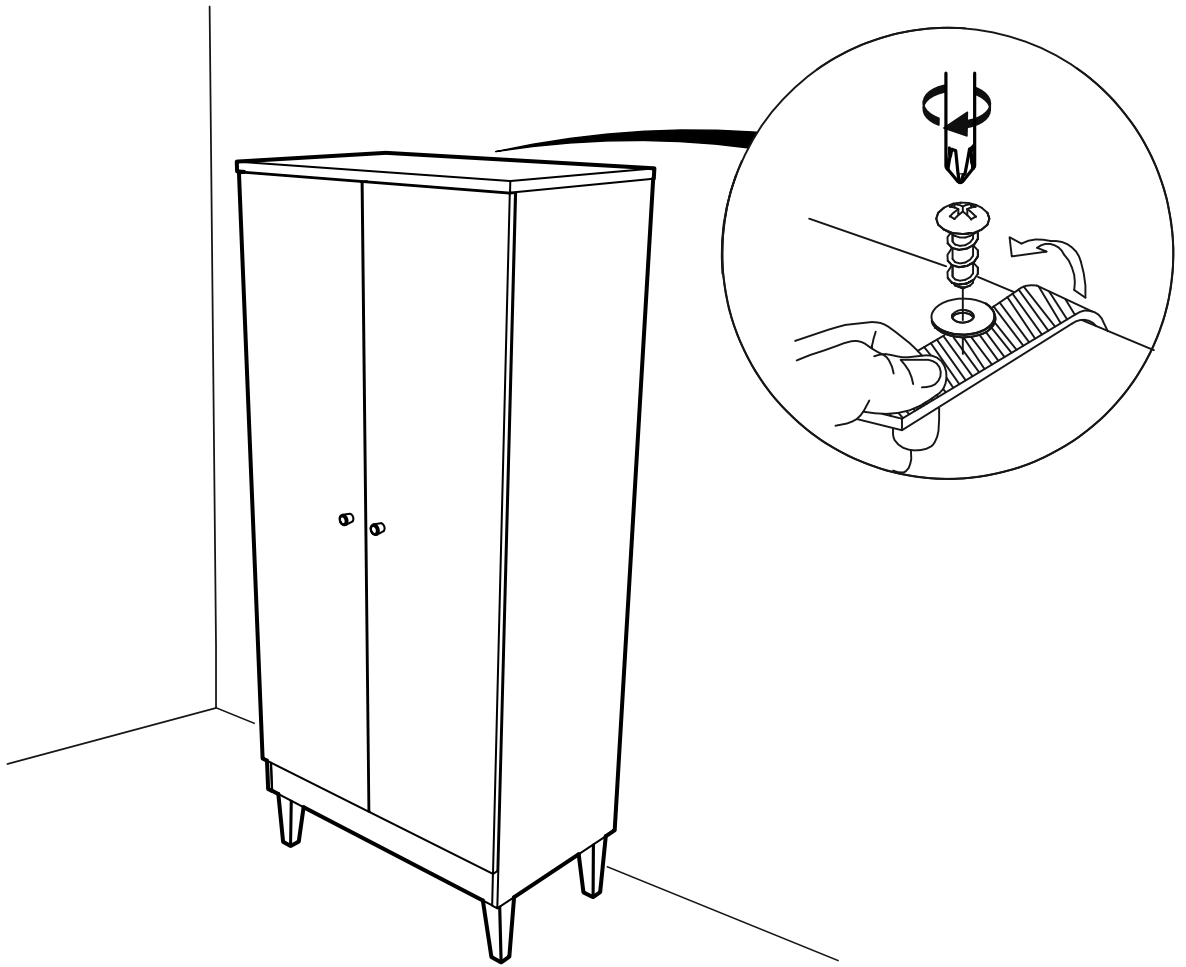


x 1



28





Safety

Always use the wall attachment strap provided.

All assembly fixings should always be tightened properly. Care should be taken that no screws are loose because a child could trap parts of their body, or clothing (e.g. strings, necklaces, ribbons, dummies, etc.) which could pose a risk of strangulation.

Be aware of the risks of open fires and other such sources of strong heat, such as electric bar fires, gas fires, etc. in the near vicinity of the wardrobe.

Do not use if any of the parts are broken, torn or missing.

Any additional or replacement parts can only be obtained from the manufacturer or the distributor.

ensure there are no small parts fittings are left after assembly as these can be a choking hazard.

Maintenance

Take care when handling or moving the furniture. Careless handling may cause damage.

Regularly check that all fixings are tightened and that there are no broken or damaged parts.

Cleaning

Your wardrobe can be cleaned by wiping with a damp cloth and drying with a soft clean cloth. Do not use abrasives, bleach, alcohol or ammonia based household polishes.

MAGICBABY LTD

Unit 7 Brookfields Way,

S63 5DL Manvers Rotherham,

United Kingdom

VENICCI[®]
HOME