

AXKID

MINIKID

4

PRO



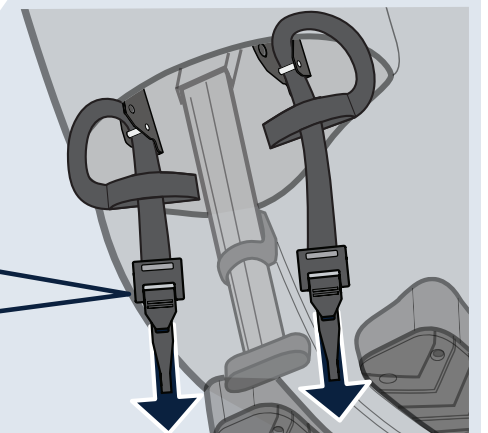
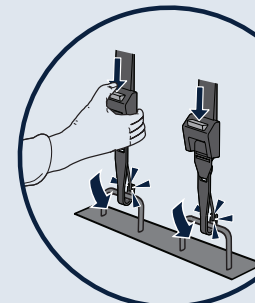
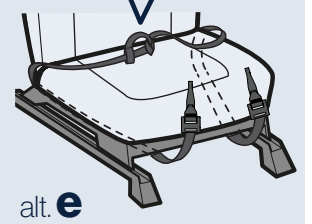
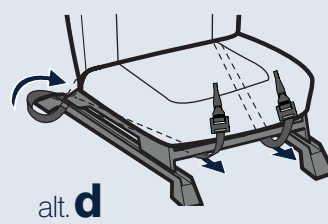
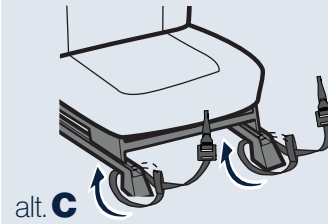
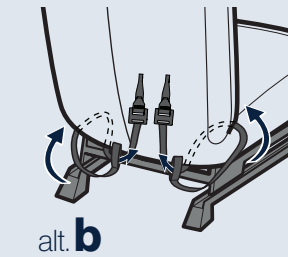
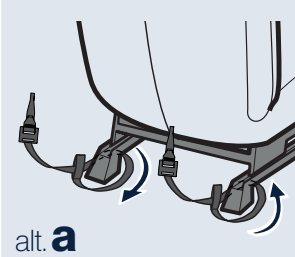
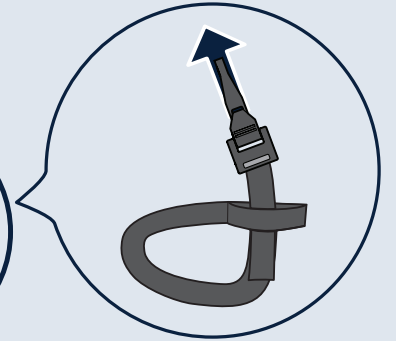
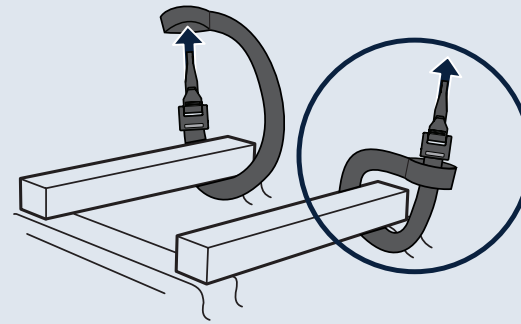
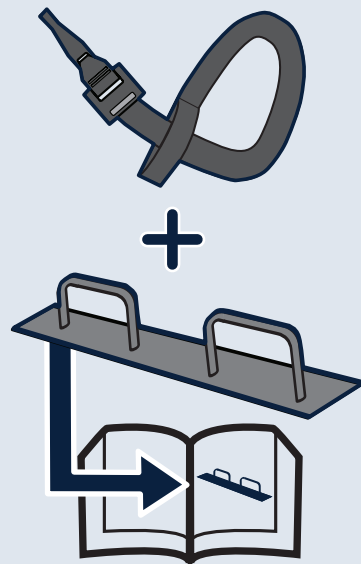
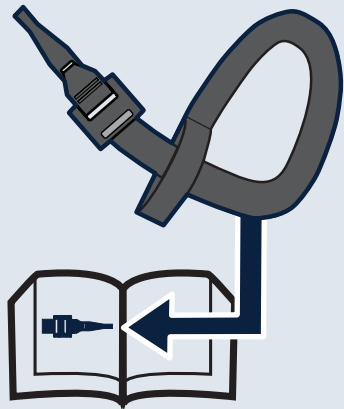
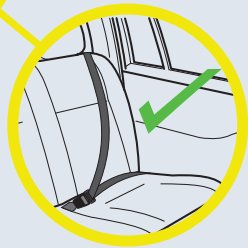
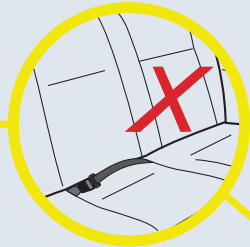
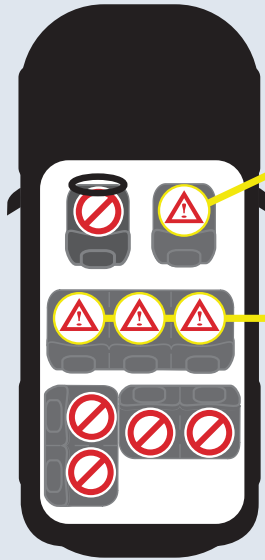
Designed
in Sweden

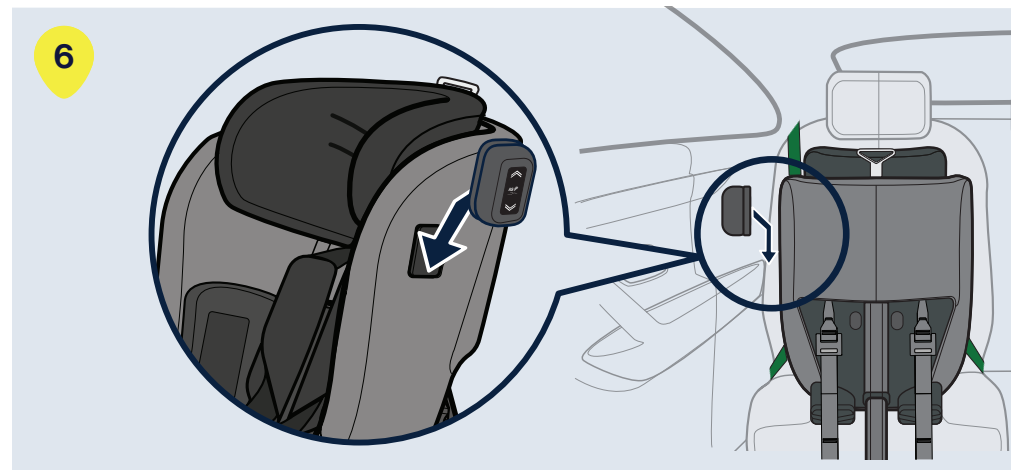
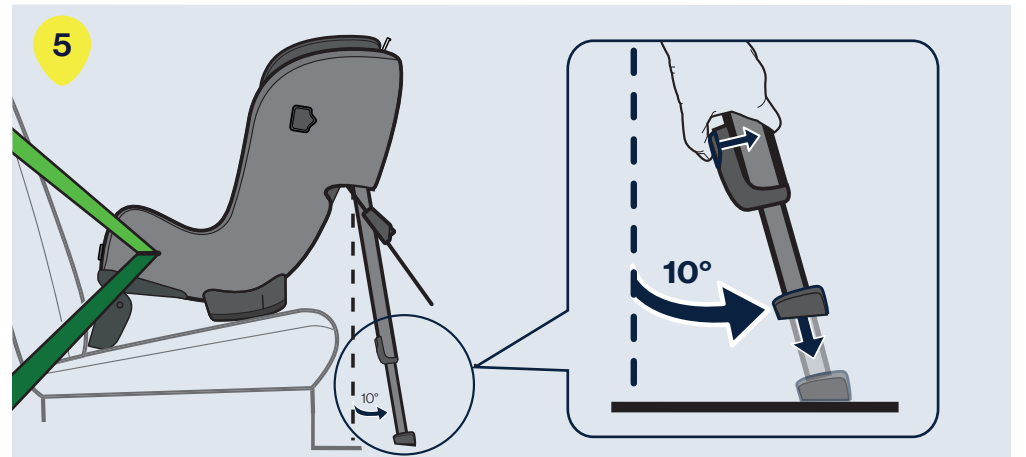
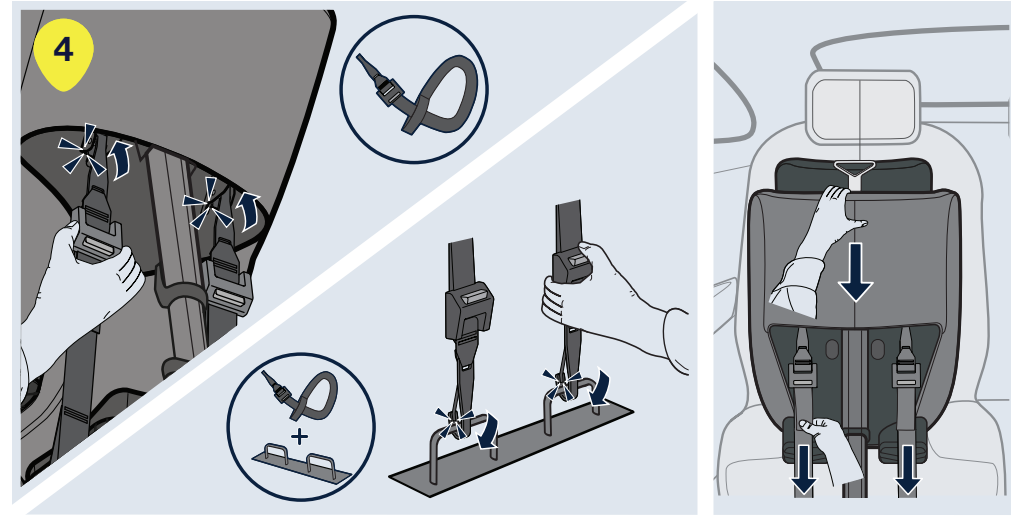
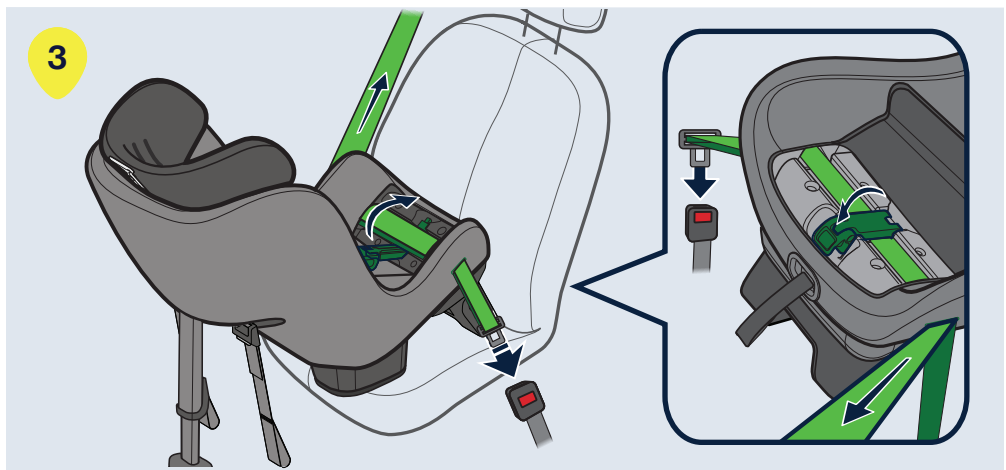
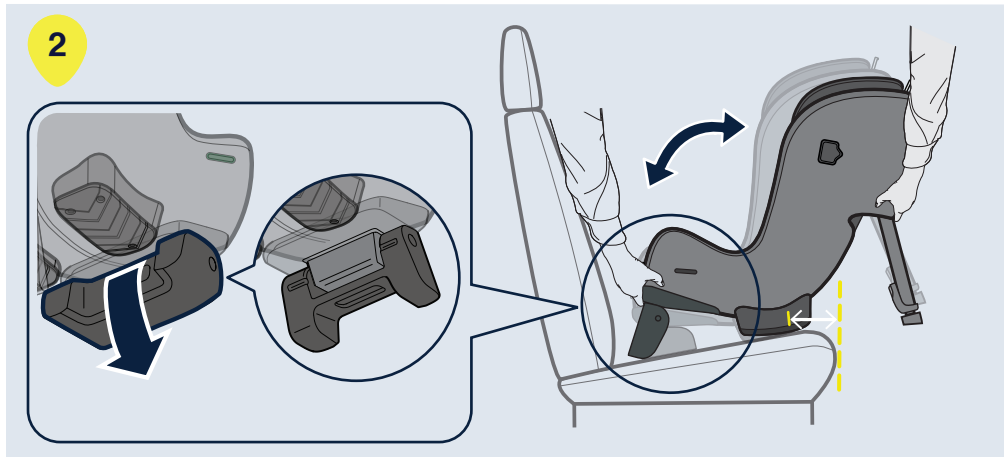
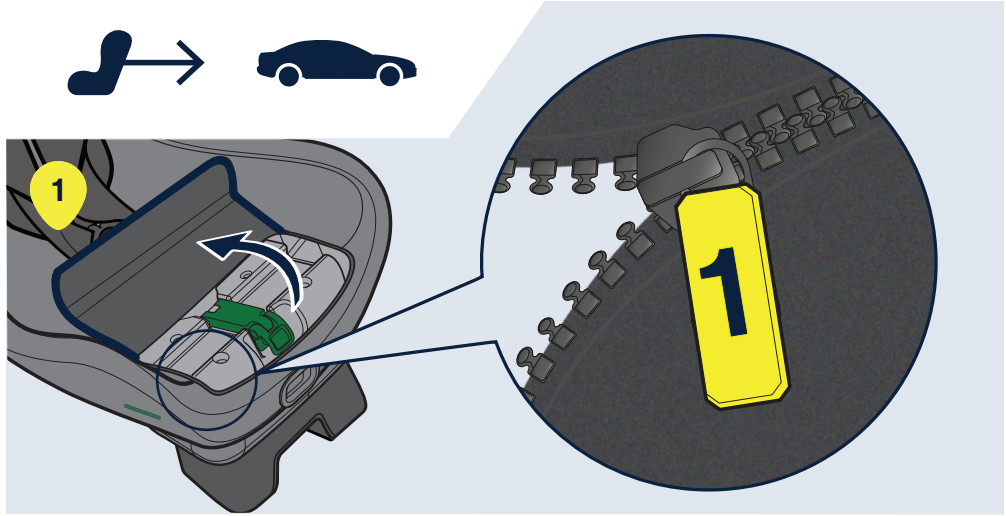


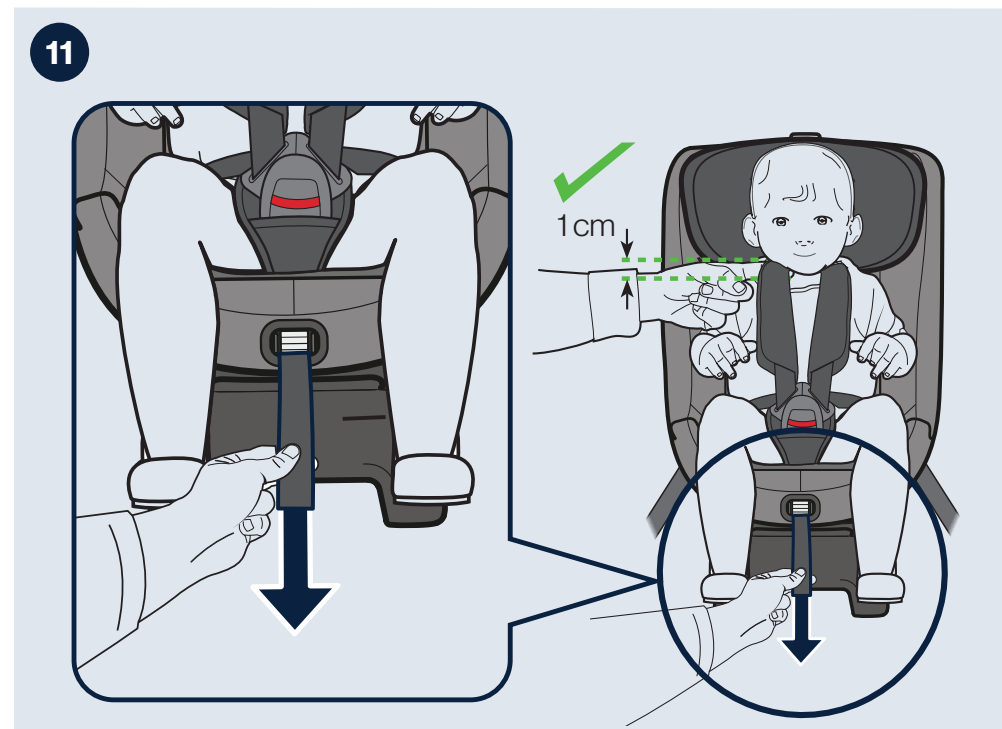
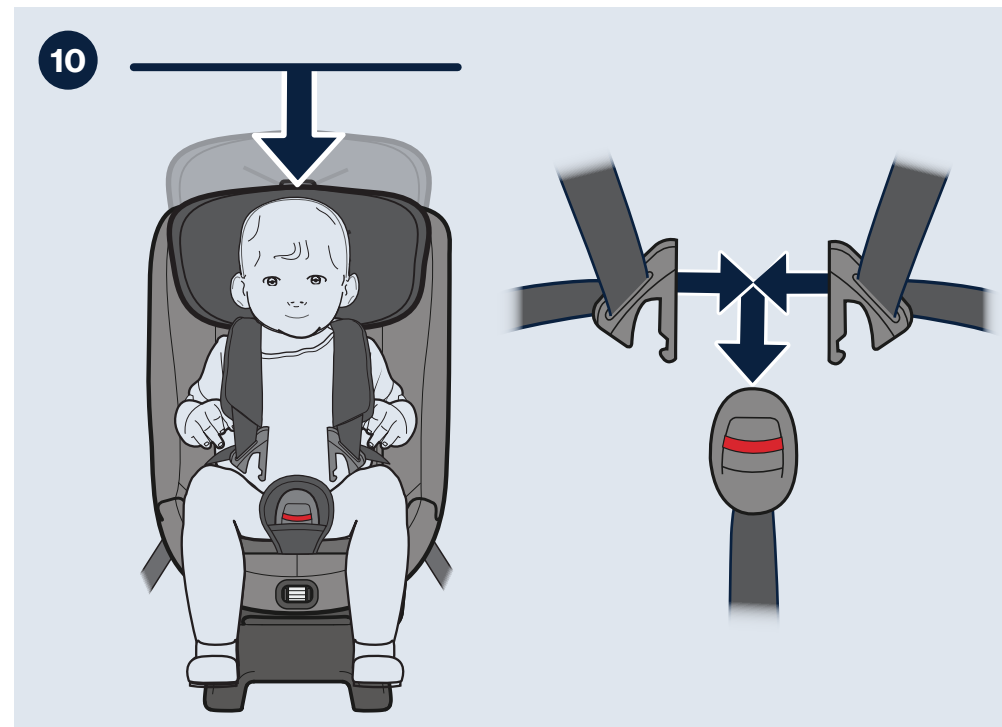
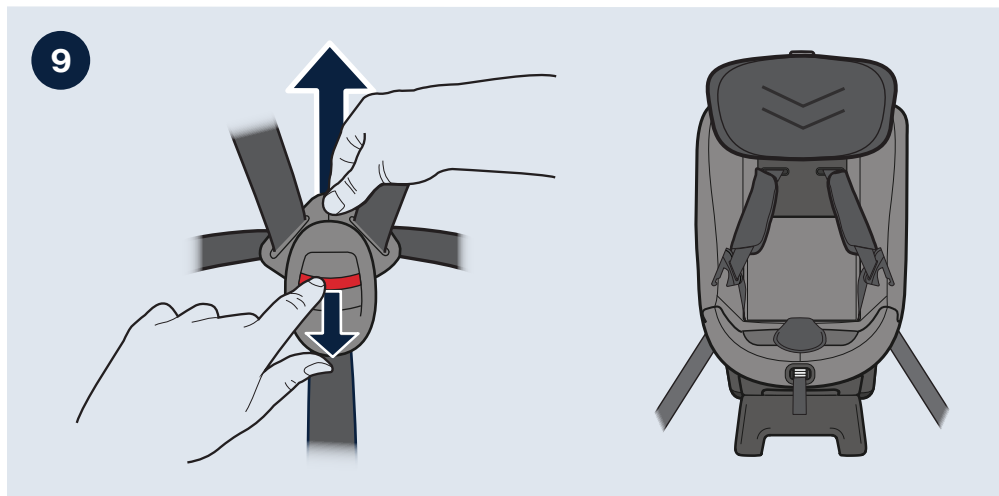
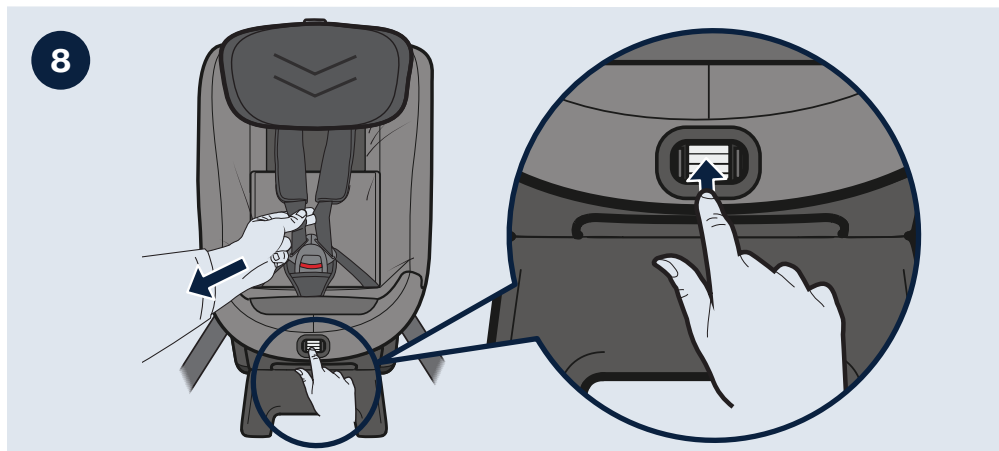
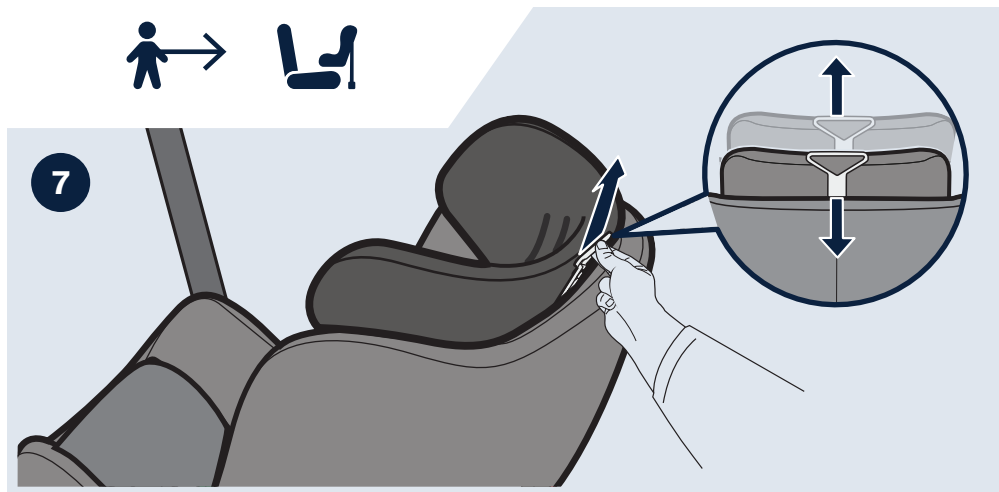
UN regulation no. 129

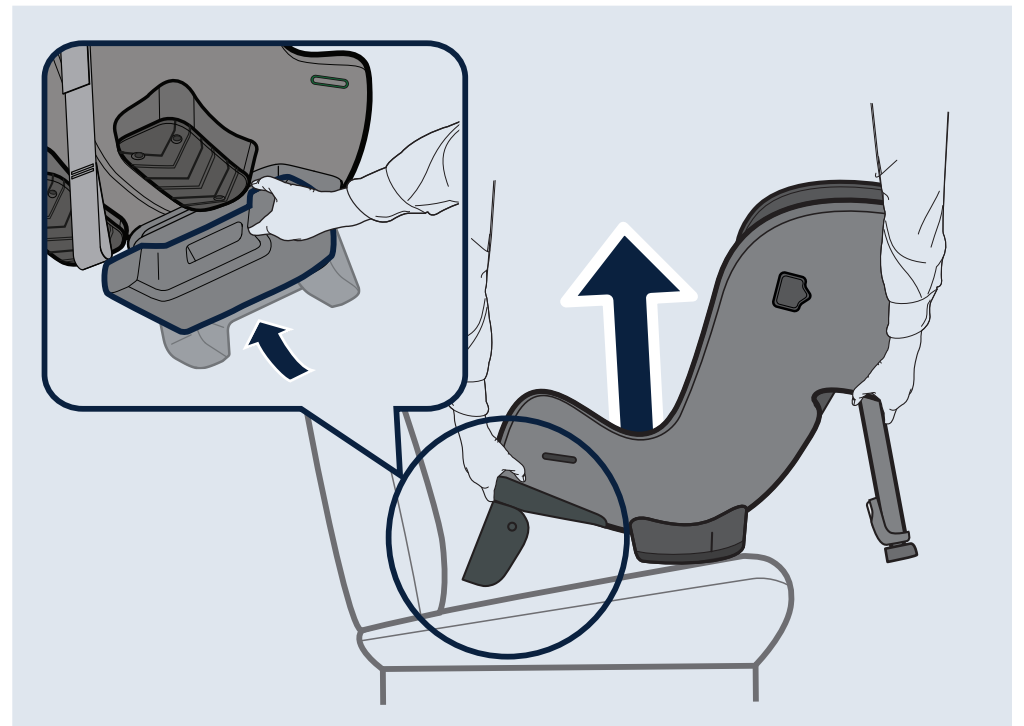
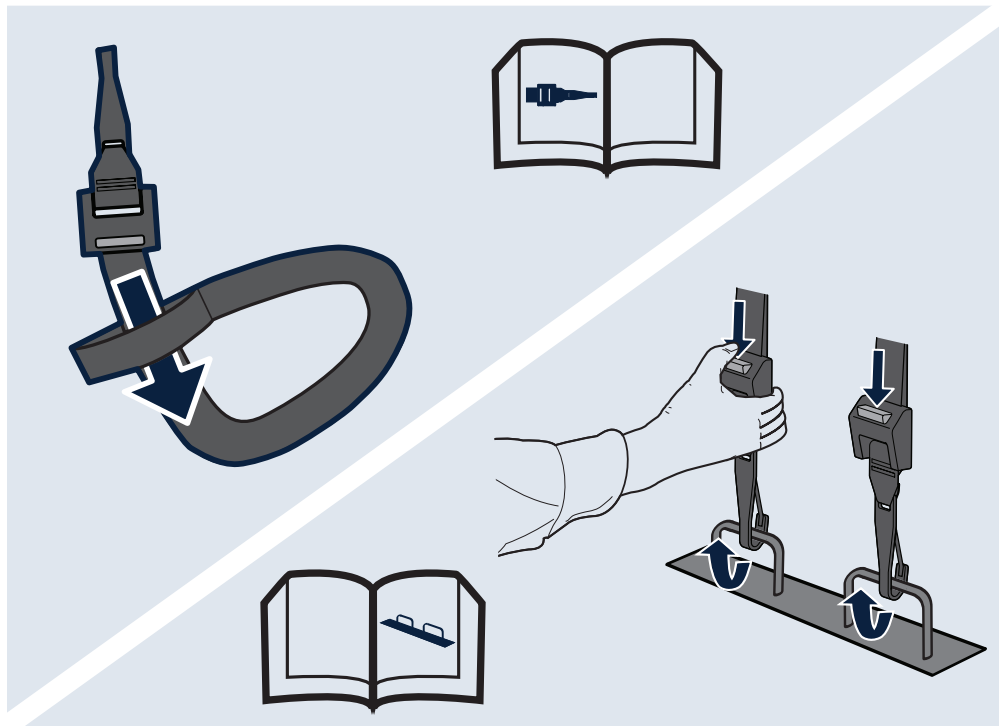
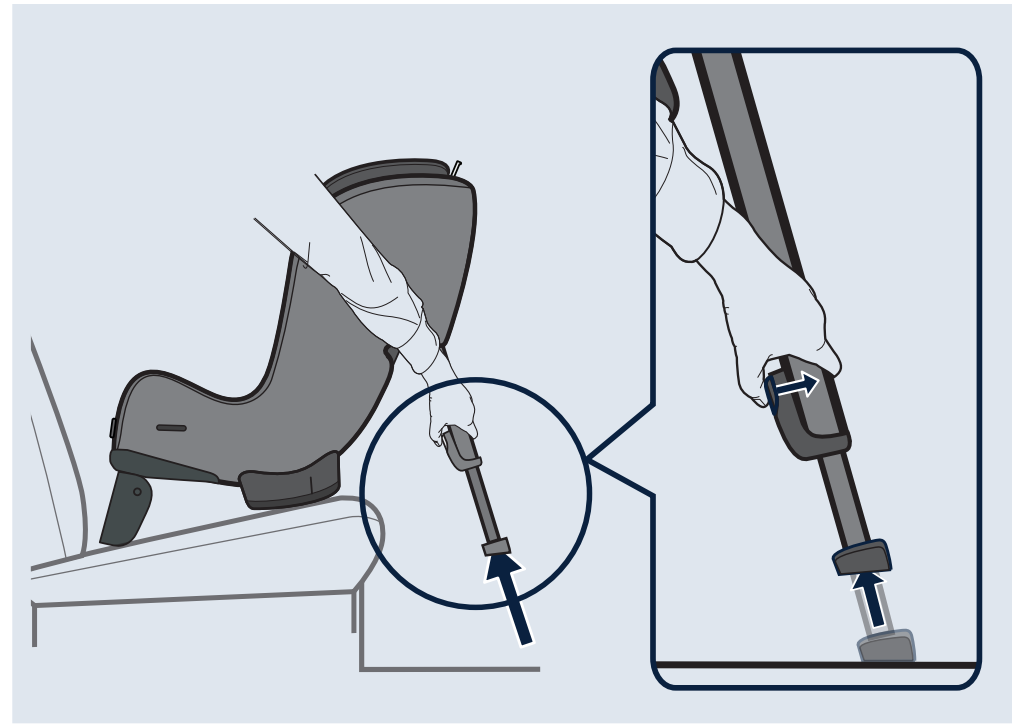
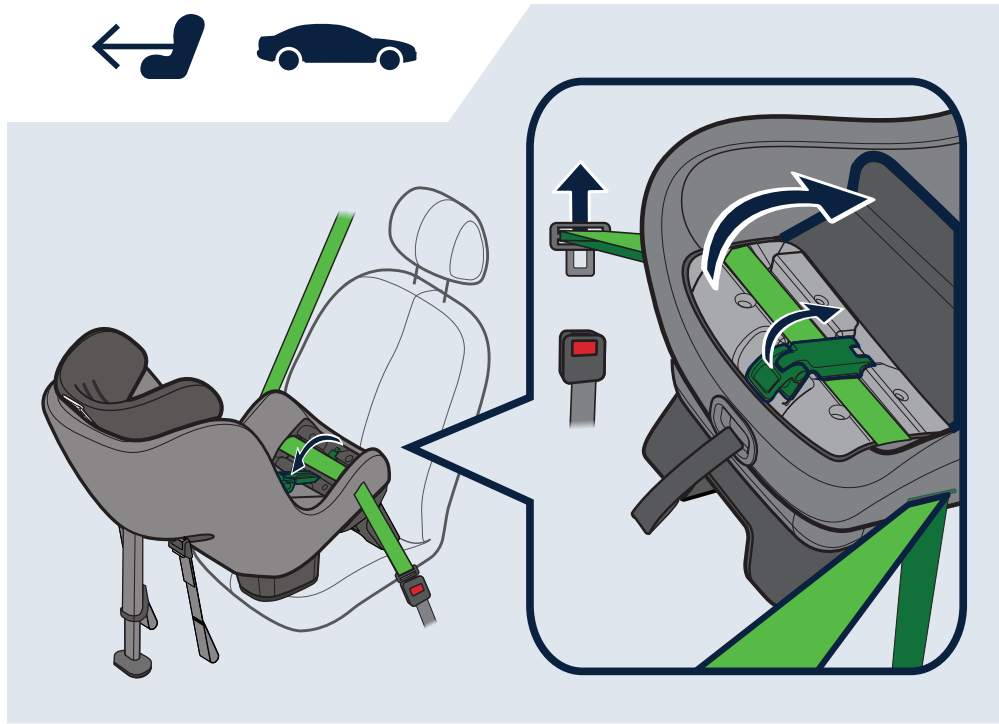
Instruction Manual

Axkid MINIKID 4 PRO car seat, 61-125 cm









Sverige/Norge

Axkid AB
www.axkid.com
info@axkid.com
Tel: (+46) 511 760 620

UK/Ireland

Axkid Ltd
www.axkid.com
info@axkid.com
Tel: (+46) 511 760 620

France

Axkid AB
www.axkid.com
info@axkid.com
Tel: (+33) 06 07 01 87 73

Deutschland

Axkid GmbH
www.axkid.com
kundenservice@axkid.com
Tel: (+49) 60-99 84 89 05

España/Portugal

Independent Marketing
www.infobebe.es
nina@infobebe.es
(+34) 902 111 881

Polsce

Junior Andrzej Kwapinski
Horbaczewskiego 4-6
54-130 Wrocław Dh Astra Sklep
Poland Tel: (+48) 713 549 723

Czech Republic

Domecek pro deti
www.domecekprodeti.cz
info@domecekprodeti.cz
(+42) 0727 981 815

România

SC Baby Car seats
www.axkid.ro
maria@axkid.ro
(+40) 0747 35 47 47

New Zealand

Clicksafe
www.clicksafe.co.nz/axkid
axkid@clicksafe.co.nz
Tel: (+64) 212 504 215

Suomi

Lastentarvike
www.lastentarvike.fi
info@lastentarvike.fi
(+358) 09 852 05 100

Malaysia

SafenSound
www.safensound.com.my
may@safensound.com.my
(+60) 358 70 22 84

**Greece Ελλάδα
Serbia Србија**

LETO shop
www.letoshop.gr
christos@letoshop.gr
(+30) 211 102 67 30

Eesti

GreenHansa OÜ
www.beebipood.ee
riho@beebipood.ee
(+372) 5300 8000

Latvia

Muki
www.muki.lv
jurgis@muki.lv
(+371) 292 828 98

Lietuva

Kotryna Group
www.kotrynagroup.com
kotryna@kotryna.lt
(+370) 521 322 54

South Africa

Quality Imports SA & #Carseatfullstop
www.qualityimportssa.co.za
qualityimportssa@gmail.com
(+27) 11 789 7119

Ísland

Leiftur
www.leiftur.is
kristmann@leiftur.is
(+354) 821 25 37

Japan

Chameleon & Co. Inc
www.chameleonco.jp
+81(0)3-6265-6974

EN	12-21
DE	22-31
ES	32-41
FR	42-51
IT	52-61
NL	62-71
PL	72-81
CS	82-91
SV	92-101
NO	102-111
DA	112-121
FI	122-131
ET	132-141
EL	142-151
IS	152-161
PT	162-171
RO	172-181
AR	182-191
JP	192-201

Thank you for choosing Axxkid MINIKID 4 PRO

Read this instruction manual before installing the car seat in your vehicle.
For more information and installation videos visit www.axkid.com.

Axxkid MINIKID 4 PRO is a rear-facing car seat approved for children with a height between 61-125 cm, ≤36 kg

Axxkid MINIKID 4 PRO is suitable for use from approximately six months of age, or from when your child can sit up unsupported.

This is an integral Specific vehicle Belted Enhanced Child Restraint System. It is approved according to UN Regulation No. 129, for use in compatible vehicle seating positions as indicated by the vehicle list. If in doubt, consult either the Enhanced Child Restraint System manufacturer (www.axkid.com) or the retailer.

Important information

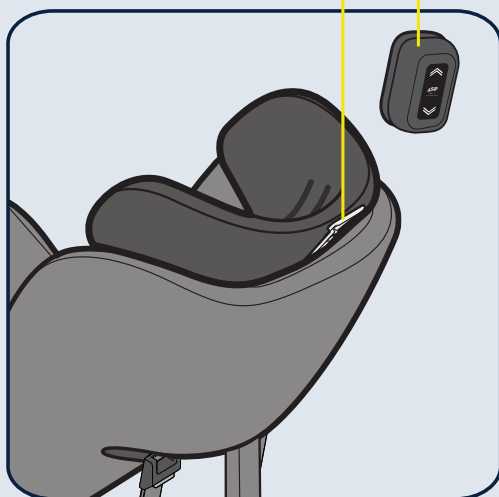
To maximize your child's safety, it is important that you keep the following in mind:

- Always follow the instructions in this manual. An incorrect installation may seriously affect the safety for your child. If in doubt, contact your retailer who can demonstrate a correct installation.
- Keep this instruction manual for future reference. If manual is lost, you can find it online at www.axkid.com
- Do not use the car seat in a seating position where an active frontal airbag is fitted. If you still wish to install the car seat in this location the airbag must be switched off according to the vehicle manufacturers instructions.
- Should you have an accident, no matter how small, your car seat should always be replaced. It may have damage that is not visible and could seriously affect the safety of your child. For this reason, Axxkid does not recommend purchasing secondhand car seats.
- If the car seat has been exposed to direct sunlight, make sure the car seat is not too hot before installing your child.
- Never leave your child unattended in the vehicle.
- Ensure that any luggage or loose objects are secured in your vehicle as they may cause injuries to passengers in the event of an accident.
- Ensure that the car seat is installed in a way where no parts become trapped by movable seats, car doors, etc.
- If you are using lower tether anchorage straps, make sure they are installed in a way where they don't interfere with the movement of any vehicle seat.
- The car seat may only be installed rear-facing.
- Always make sure that the harness is adjusted to correctly fit your child's body. The harness is adjusted by moving the head support.
- Make sure that the child's back is pushed against the car seat when restraining your child with the harness.
- Always make sure that the harness is firmly tightened against your child and that the buckle is completely locked, you should not be able to pinch the straps.
- Make sure there is no twist in the harness.
- Always make sure the support leg is in its correct position and that it has contact with the vehicle floor. The support leg is a very important safety feature designed to maximise your child's safety in an accident.
- Do not attempt to disassemble or modify any part of the car seat. The warranty and the safety performance of the car seat could be affected if doing so.
- Never use the car seat without the textile cover. The seat textile cover is a safety feature and may only be replaced with an Axxkid original seat textile cover.
- Read the vehicle handbook and the vehicle list at www.axkid.com to find which seating positions are suitable for this car seat.
- Axxkid recommends to always use a seat protection to protect your vehicle seat from scratches and dirt.
- If you have any doubts, contact the retailer where the car seat was purchased or contact info@axkid.com

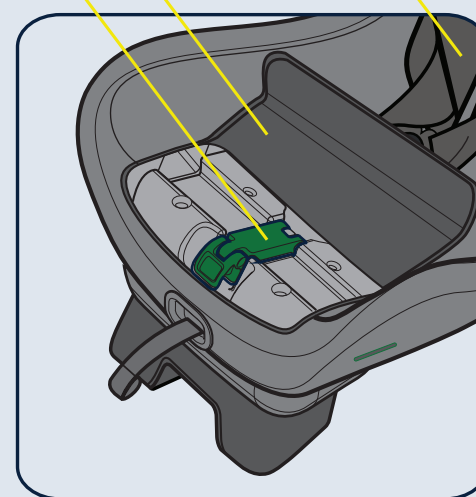
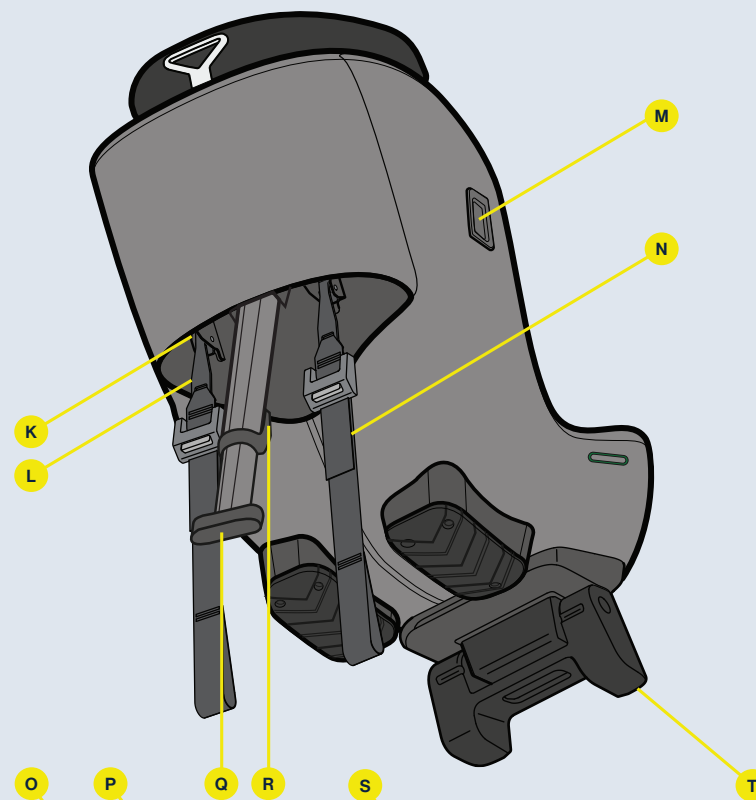
Table of content

Parts	14
Allowed and disallowed positioning of Axxkid MINIKID 4 PRO car seat	16
Lower Tether Anchorages	16
Installing lower tethers	17
Installing Axxkid MINIKID 4 PRO car seat in the vehicle	18
Restraining your child in Axxkid MINIKID 4 PRO car seat	19
Headrest adjustments	20
Removing Axxkid MINIKID 4 PRO car seat from the vehicle	20
Care and maintenance	21
Warranty	21

Parts



- A** HEADREST
- B** INTEGRAL HARNESS
- C** BUCKLE RELEASE BUTTON
- D** SEAT BELT SLOT
- E** HARNESS RELEASE BUTTON
- F** HARNESS TENSION STRAP
- G** HEADREST BRAKE LEVER
- H** ASIPP PAD
- I** HEEL
- J** VERTICAL LINE



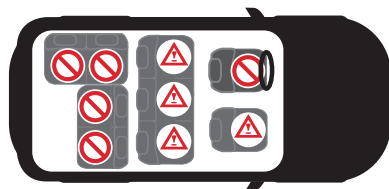
- K** METAL CLIP CONNECTOR
- L** METAL CLIP
- M** ASIPP CONNECTOR
- N** LOWER TETHER
- O** BELT CLAMP
- P** BELT CLAMP LID
- Q** SUPPORT LEG
- R** SUPPORT LEG BUTTON
- S** SHOULDER STRAP
- T** RECLINE ANGLE ADJUSTER



Allowed and disallowed positioning of Axxkid MINIKID 4 PRO car seat

Axxkid MINIKID 4 PRO car seat can only be installed rear-facing. It will fit in most, but not all seating positions. Check your vehicle instruction manual to find suitable seating positions and check the vehicle list on www.axkid.com

Front passenger seat (no active airbag)	YES/NO*
Front passenger seat (active airbag)	NO
Rear passenger seat with 3-point seat belt	YES
Seat with 2-point seat belt	NO
Side and rear facing seats	NO



IMPORTANT: If you wish to install your Axxkid MINIKID 4 PRO car seat in a location where a frontal airbag is fitted, the airbag must be disconnected according to your vehicle manufacturer instruction. Note that some vehicles require an authorized service centre to disconnect the airbag.

* The General Regulation of Traffic in Spain, in its article 117, establishes the prohibition of driving with children of stature equal to or less than 135 centimetres located in the front seats of the vehicle, without exceptions.



Lower Tether Anchorages

Important info

Lower Tether Anchorages (LTA) are used to enhance the protection of children in cars by providing a firm and stable installation for extended rear-facing belt attached car seats. This increases the safety for your child in all types of collisions, including roll-over accidents and rear-end impacts.

Lower tethers are a well-established method that has been extensively used in the Nordic countries for over 40 years. In 2020 a new international standard for LTA, ISO13216-4:2020, was released. This standard describes the requirements for lower tethers for car seats but also for vehicle manufacturers and their anchor points. The purpose is to improve the compatibility and ensuring a safe and easy way of installation for the future.

Axxkid MINIKID 4 PRO includes two lower tethers for installation in cars with or without lower tether anchorages. The included lower tethers complies with ISO13216-4:2020 to ensure a perfect fit, and easy installation, in vehicles with pre-installed lower tether anchorages that also complies with this standard. If your vehicle has anchorage points that do not comply with the standard, Axxkid MINIKID 4 PRO lower tethers are still likely, but not guaranteed, to fit.

Pre-installed lower tether anchorages in vehicles are often found on the seat rails attached to the floor, but other positions are also used. Check your vehicle's instruction manual for more information on usable anchor points.

Axxkid MINIKID 4 PRO comes with everything you need to install the car seat in your vehicle. However, lower tether anchorages and extra lower tether anchorage straps can be purchased separately and will make installation quicker and easier in multiple cars. Some vehicle manufacturers also offers the possibility of retrofitting lower tether anchorages. Contact your vehicle manufacturer or dealer for more information. Axxkid retrofit lower tether anchorages and extra lower tethers can be purchased separately.

Note: Never use Axxkid MINIKID 4 PRO without the lower tethers. They are an important safety feature and must always be used when installing your car seat.



Installing lower tethers

Always use two anchorage points when installing Axxkid MINIKID 4 PRO and choose anchorage points that are separated as this gives a more stable installation. Depending on your vehicle and the seat position where you choose to install your car seat, there are various possible anchorage points to use. See below for alternatives.

Lower tether routing options

- alt. **a** Install the tether around the seat rail in front of the car seat by threading the tether between the seat rail and vehicle floor or through an appropriate hole of the seat rail.
- alt. **b** Install the tether around the hinge of the vehicle seat in front of the car seat by threading the tether in between the vehicle seat back and seat cushion.
- alt. **c** Install the tether around the seat rail below the car seat by threading the tether between the seat rail and vehicle floor or through appropriate hole of the seat rail.
- alt. **d** Install the lower tether to a suitable anchorage point in the back of the vehicle and route the tether underneath the vehicle seat to the front of the vehicle. Make sure that the lower tether comes out from the front of the seat and not out from the sides.
- alt. **e** When installing the Axxkid MINIKID 4 PRO in the front passenger seat, the tether should be wrapped around the nearest suitable anchor point that will allow the straps to be tightened fully. Anchor points set further back can be used, and if needed, the tether can be crossed over and even looped together with another tether.

Note: Always make sure that changing the position of any vehicle seat does not interfere or damage the installed lower tethers.

Note: Never use sharp objects to assist in routing the tethers as it might damage the tethers.



LTA When installing the Axxkid MINIKID 4 PRO using lower tether anchorages (LTA), the lower tether (N) can be looped around the metal clip connector (K), and the metal clip (L) should be connected to the lower tether anchor.



Installing Axxkid MINIKID 4 PRO car seat in the vehicle

Before installing Axxkid MINIKID 4 PRO, make sure you have installed the lower tethers or lower tether anchorages in your vehicle. See section about **Lower Tether Anchorages** and **Installing lower tethers** in this manual for more information and installation instructions.

1 Unzip the zipper and open the belt clamp lid (P).

2 Place the Axxkid MINIKID 4 PRO on the vehicle seat with the back of the car seat facing the front of the vehicle. Adjust the legroom for your child by simply moving the car seat back and forth on the vehicle seat. Axxkid MINIKID 4 PRO can be installed tight against the vehicle seat back but may never be installed with the heel (I) hanging over the edge of the vehicle seat. Make sure that the vertical line (J) on the heel (I) never crosses the edge of the vehicle seat.

Adjust the angle of the car seat by choosing a suitable recline position with the recline angle adjuster (T). For maximum safety, choose a position as upright as possible while also ensuring that your child's head does not fall forward when sleeping. For both comfort and safety reasons, the recline angle should be adjusted to a more upright position as your child grows. Note that when tensioning the lower tethers (N), the car seat will be slightly more reclined as it sinks into the vehicle seat cushion. When installing Axxkid MINIKID 4 PRO in a front passenger seat it is possible, but not necessary, for the back of the car seat to have contact with the dashboard.

3 Open the belt clamp (O). Pull out an arm length of the vehicle seat belt and thread it through the seat belt slot (D) closest to you. Route the belt through the belt clamp (O) and thread it through the seat belt slot (D) on the opposite side. Connect the vehicle seat belt with the seat belt buckle and pull hard on the shoulder part of the vehicle seat belt to remove all slack and to fasten the car seat, the harder you pull the firmer the installation. To give an even more firm and stable installation, press down on the car seat while pulling the vehicle belt. When the car seat is firmly fastened, close the belt clamp (O) and lock the vehicle seat belt in position. Make sure that both the shoulder and lap belt is locked together in the belt clamp (O). Close the belt clamp lid (P) and close the zipper.

4 Attach the metal clips (L) to the metal clip connectors (K) on each side of the child seat (or connect the metal clips (L) to the anchorages in your vehicle if lower tether anchorages is used for installation. See section **Installing lower tethers** in this manual for more information). Press down on the top of the car seat while tensioning the lower tethers (N). By tensioning the lower tethers (N) you also set the final recline angle of the car seat. Keep pushing down and tensioning the car seat until it is firmly fastened, and you have achieved a suitable recline angle.



5 Pull out the support leg (Q) from the car seat. Push the support leg button (R) and pull the support leg (Q) downwards until it is in contact with the vehicle floor. Let go of the support leg button (R) and lift the car seat upwards to further extend the support leg (Q) until you hear a click. The support leg (Q) should now be locked and firmly pressed against the vehicle floor. Make sure that the support leg (Q) is angled about 10° towards the front of the vehicle. Check the vehicle seat belt again to make sure that it is still firmly tensioned and that no slack has occurred in the hip belt while tensioning the lower tethers and support leg. If the vehicle belt has lost some tension, simply re-tension it by repeating step 2 of this guide without disconnecting the lower tethers.

6 Push the ASIP pad (H) into the slots on the ASIP connector (M) and slide downwards, the ASIP pad (H) will click into place. If there is a plastic cover on the ASIP connector (M), remove it and place it on the ASIP connector (M) on the opposite side of the seat before fitting the ASIP pad (H). Make sure the ASIP pad (H) is attached on the side of the Axxkid MINIKID 4 PRO car seat that is closest to the vehicle door.



Restraining your child in Axxkid MINIKID 4 PRO car seat

Before restraining your child in the Axxkid MINIKID 4 PRO car seat, make sure you have the correct inlay installed in the seat. Axxkid MINIKID 4 PRO is designed to grow with your child and to ensure a comfortable and safe fit for the children. Axxkid recommends using the inlay until it is too tight for your child, but to a minimum length according to table below (note that the age is just an indication):

Age	Height	
Toddler 0-3 years	61-105 cm	
Child 3-7 years	106-125 cm	

The Axxkid MINIKID 4 PRO is equipped with an adjustable headrest (A). See section **Headrest adjustment** for more information.

7 Adjust the headrest (A) to an approximate position for your child.

8 Loosen the harness by pressing the harness release button (E) and pull out both shoulder straps (S) at the same time. Avoid pulling only one strap at the time since it may cause the shoulder straps (S) to become uneven.

9 Unlock the harness buckle by pressing the buckle release button (C) and place the straps outside of the seat.

10 Place your child in the seat and place the shoulder straps (S) over your child's shoulders. Pull and hold the headrest brake lever (G) to unlock and keep the headrest unlocked. Push down/pull up the headrest (A) to a position where the shoulder straps are located maximum 1 cm above the child's shoulders. Lock the harness by first positioning the parts of the buckle that is attached to the shoulder straps (S) together, and then push them into the buckle until you hear a click.

11 Pull on the shoulder straps (S) to tighten the harness over your child's hips. While keeping tension in the shoulder straps (S), pull the harness tension strap (F) straight from the car seat until the harness is tightened enough, you should not be able to fit more than one finger between the shoulder straps (S) and your child's shoulders.



Headrest adjustment

The Axxkid MINIKID 4 PRO is equipped with an adjustable headrest (A).

Always ensure that the headrest is positioned in the correct height for your child when using your Axxkid MINIKID 4 PRO child seat. Check that the shoulder straps (S) are going through the seat straight from your child's shoulders or maximum 1 cm above. If not, adjust the headrest (A) accordingly.

Note: The harness tension needs to be released if the headrest cannot be pulled up to a suitable height. Press the belt harness release button (E) to loosen the harness.



Removing Axxkid MINIKID 4 PRO car seat from the vehicle

- Unzip the zipper and open the belt clamp lid (P). Unlock the vehicle seat belt by pressing the red button on the seat belt buckle. Open the belt clamp (O) and pull the vehicle seat belt and guide it through the seat belt slots (D) to remove it from the car seat.
- Unlock the lower tethers (N) by holding on to the connectors with your hand and pressing on the grey button with your thumb. While keeping the connector in your hand, slowly push to extend the lower tethers.
- Push the support leg button (R) and collapse the support leg (Q) to its shortest position.
- Fold the recline angle adjuster (T) to its folded position. Lift the Axxkid MINIKID 4 PRO out of the vehicle.

Tip: Lock the harness buckle and tension the harness before removing the car seat from the vehicle. You can then use the shoulder straps (S) as a carrying handle, making it easier to lift out the car seat and transporting it outside of the vehicle.

Important: Never carry the car seat by holding in the headrest (A).

Recycling your car seat



Axxkid strongly recommends recycling of old car seats. Before leaving the seat at your local recycling station cut off the harness straps from the seat, remove the textile cover, remove as many Styrofoam parts as possible, separate metal and plastic parts if possible. The main part of the seat should be marked unsafe or expired (use a marker) to deter anyone from using it again. Please check your local municipal guidelines for recycling instructions for the different materials.

Care and maintenance

The seat textile cover can be machine washed at 30°C on a gentle cycle. Do not put the cover in a dryer as this can damage the cover and the padding may separate from the fabric. Visit www.axkid.com to find videos explaining how to remove and attach the cover. If the textile seat cover needs replacing, ensure only original products from Axxkid are used. If other products are used, Axxkid MINIKID 4 PRO car seat's safety system may be compromised and could lead to severe injury in case of an accident.

Any plastic parts of Axxkid MINIKID 4 PRO car seat can be cleaned with mild detergent and water. Do not use aggressive chemicals containing solvents or similar, as this can cause damage to the plastic and compromise the safety of the car seat.

Remove the textile cover:

- Remove the ASIP pad (H) if attached.
- Pull the headrest (A) to its topmost position.
- Loosen the harness by pressing the harness release button (E) and pull out both shoulder straps (S) at the same time.
- Unzip the two zippers on the underside of the headrest (A) and carefully pull the cover off from the headrest (A).
- Lower the headrest (A) to its lowest position.
- Unlock the harness buckle by pressing the buckle release button (C) and remove the buckle cover.
- Unzip the zipper and open the belt clamp lid (P) and remove the plastic lid from the textile cover.
- Open the 4 buttons on the textile cover on the backside of the car seat.
- Unzip the two zippers at the backrest on the inside of the car seat and gently remove the textile cover from the car seat. Be careful around the ASIP pad and other plastic covers to avoid damaging the textile. Don't pull too hard.
- Open the shoulder pads and gently remove them from the shoulder straps (S).

Install the textile cover:

- Reverse the steps from the instruction above to install the textile cover on the car seat again.

Note: The shoulder pads can be installed at different positions. Install them in a position suitable for your child, the shoulder pads should be positioned on top of the shoulder and on the chest of your child. Also make sure that the rubber side of the shoulder pad is facing your child's chest.

Warranty

Axxkid MINIKID 4 PRO car seat is covered by a 24-month warranty from date of purchase. Ensure you save your receipt and bring it to your place of purchase if you have any warranty issues.

Handle the seat with care. Never carry the seat by holding in the headrest (A).

The warranty does not cover:

- Normal wear and tear.
- Damage due to incorrect use, neglect, or accident.
- If repairs have been carried out by a third party.
- All materials used have a very high UV-resistance rating. However, UV-light is very aggressive and will ultimately lead to fading of the seat cover. This is not covered by our warranty as it is considered normal wear and tear.

Vielen Dank, dass Sie sich für den Axkid MINIKID 4 PRO entschieden haben.

Bitte lesen Sie diese Bedienungsanleitung, bevor der Kindersitz im Fahrzeug installiert wird. Weitere Informationen und Installationsvideos siehe www.axkid.com.

Axkid MINIKID 4 PRO ist ein nach hinten gerichteter Kindersitz, der für Kinder mit einer Körpergröße zwischen 61 und 125 cm sowie einem Gewicht von maximal 36 kg.

Der Axkid MINIKID 4 PRO ist ab einem Alter von etwa sechs Monaten geeignet, oder ab dem Zeitpunkt, ab dem Ihr Kind ohne Unterstützung sitzen kann.

Hierbei handelt es sich um ein integriertes, fahrzeugspezifisches und mit einem Gurt befestigtes erweitertes Kinderrückhaltesystem. Es ist gemäß UN-Verordnung Nr. 129 für den Einsatz in kompatiblen Fahrzeugsitzpositionen gemäß der Fahrzeugliste zugelassen. Im Zweifelsfall wenden Sie sich entweder an den Hersteller des erweiterten Kinderrückhaltesystems (www.axkid.com) oder an Ihren Händler.

Wichtige Informationen

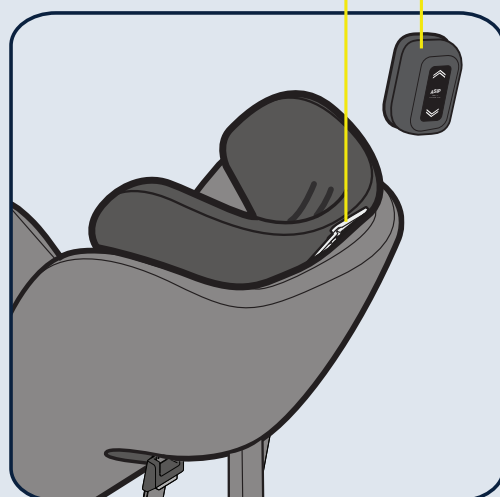
Um Ihrem Kind größtmögliche Sicherheit zu bieten, sollten Sie Folgendes beachten:

- Befolgen Sie stets die Anweisungen in diesem Handbuch. Eine fehlerhafte Installation kann die Sicherheit Ihres Kindes ernsthaft beeinträchtigen. Im Zweifelsfall wenden Sie sich bitte an Ihren Händler, der Ihnen die korrekte Installation vorführen kann.
- Bewahren Sie diese Gebrauchsanweisung für ein späteres Nachschlagen auf. Bei Verlust der Bedienungsanleitung finden Sie diese online unter www.axkid.com.
- Der Kindersitz darf nicht auf einem Sitzplatz mit aktivem Frontairbag angebracht werden. Wenn der Kindersitz dennoch an dieser Stelle angebracht werden soll, muss der Airbag gemäß den Anweisungen des Fahrzeugherstellers deaktiviert werden.
- Der Kindersitz ist nach jedem noch so kleinen Unfall immer auszutauschen. Er kann Schäden aufweisen, die nicht sichtbar sind und die Sicherheit Ihres Kindes ernsthaft beeinträchtigen können. Aus diesem Grund rät Axkid vom Kauf von gebrauchten Kindersitzen ab.
- Wenn der Kindersitz direkter Sonneneinstrahlung ausgesetzt war, vergewissern Sie sich, dass der Kindersitz nicht zu heiß ist, bevor Sie Ihr Kind hineinsetzen.
- Das Kind darf niemals unbeaufsichtigt im Auto zurückgelassen werden.
- Sorgen Sie dafür, dass Gepäck oder lose Gegenstände im Fahrzeug gesichert sind, da sie bei einem Unfall die Fahrzeuginsassen verletzen können.
- Stellen Sie sicher, dass der Autositz so installiert ist, dass keine Teile durch bewegliche Sitze, Autotüren usw. eingeklemmt werden.
- Wenn Sie Spanngurte verwenden, stellen Sie sicher, dass diese so angebracht sind, dass sie die Bewegung der Fahrzeugsitze nicht behindern.
- Dieser Autositz darf nur rückwärtsgerichtet installiert werden.
- Es ist stets darauf zu achten, dass der integrierte Sicherheitsgurt so festgezogen ist, dass er eng am Körper des Kindes anliegt. Der Gurt wird durch Verschieben der Kopfstütze verstellt.
- Achten Sie darauf, dass der Rücken des Kindes fest im Kindersitz ist, wenn Sie Ihr Kind mit dem integrierten Sicherheitsgurt anschnallen.
- Achten Sie immer darauf, dass der integrierte Sicherheitsgurt eng an Ihrem Kind anliegt und das Schloss vollständig verriegelt ist; die Gurte sollten sich nicht mehr mit Daumen und Zeigefinger zusammenkneifen lassen.
- Stellen Sie sicher, dass der integrierte Sicherheitsgurt nicht verdreht ist.
- Stellen Sie sicher, dass sich der Stützfuß in der richtigen Position befindet und den Fahrzeugboden berührt. Der Stützfuß ist ein sehr wichtiger Bestandteil des Kindersitzes, der die Sicherheit des Kindes bei einem Unfall optimiert.
- Auf keinen Fall darf versucht werden, Teile des Kindersitzes abzubauen oder zu verändern. Dies könnte die Gewährleistung und die Sicherheit des Kindersitzes beeinträchtigen.
- Verwenden Sie den Autositz nie ohne den Textilbezug. Der passgenaue Bezug des Sitzes dient der Sicherheit und darf nur durch einen Original-Textilbezug von Axkid für Kindersitze ersetzt werden.
- Aus dem Fahrzeughandbuch und der Fahrzeugliste auf www.axkid.com geht hervor, welcher Platz im Fahrzeug für diesen Kindersitz geeignet ist.
- Axkid empfiehlt immer die Verwendung eines Sitzschutzes, damit der Fahrzeugsitz vor Kratzern und Schmutz geschützt ist.
- Bei Fragen wenden Sie sich an den Händler, bei dem der Kindersitz gekauft wurde, oder an info@axkid.com

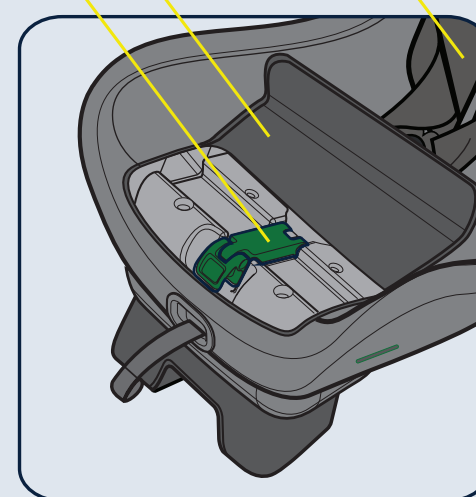
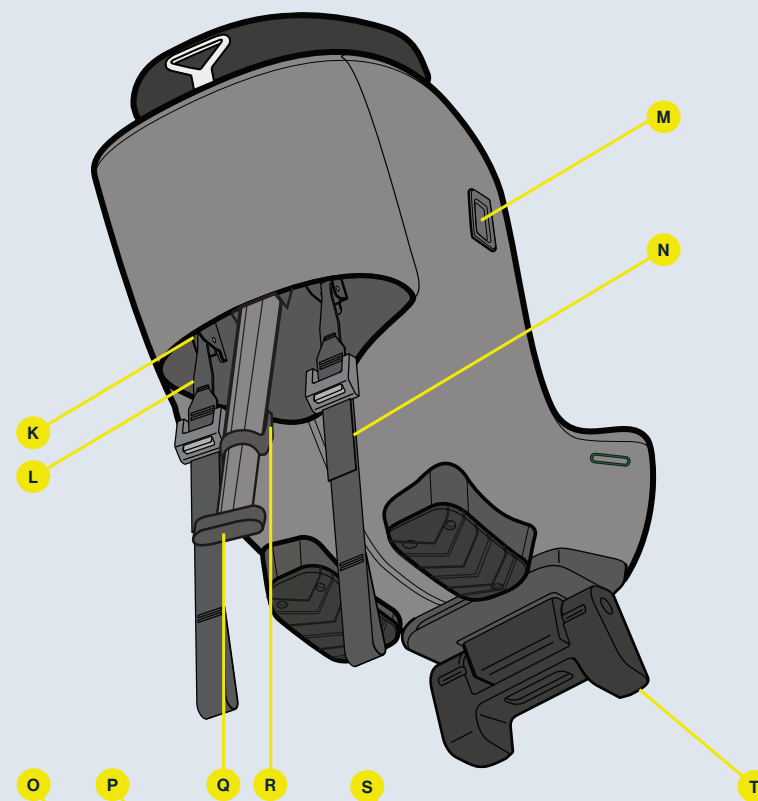
Inhaltsverzeichnis

Bauteile	24
Zulässige und unzulässige Positionen des Kindersitzes Axkid MINIKID 4 PRO	26
Untere Befestigungspunkte	26
Einbau der unteren Haltegurte	27
Einbau des Kindersitzes Axkid MINIKID 4 PRO im Fahrzeug	28
Anschnallen des Kindes im Kindersitz Axkid MINIKID 4 PRO	29
Einstellung der Kopfstütze	30
Ausbau des Kindersitzes Axkid MINIKID 4 PRO aus dem Fahrzeug	30
Pflege und Instandhaltung	31
Garantie	31

Bauteile



- A** KOPFSTÜTZE
- B** INTEGRIERTER GURT
- C** SCHNALLENFREIGABEKNOFF
- D** SCHLITZ FÜR SICHERHEITSGURT
- E** GURTFREIGABEKNOFF
- F** GURTSTRAFFER
- G** KOPFSTÜTZE BREMSHEBEL
- H** ASIP-KISSEN
- I** ABSATZ
- J** VERTIKALE LINIE



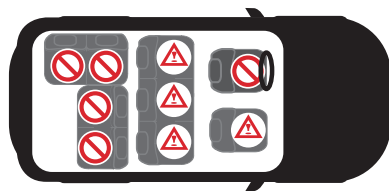
- K** METALL-CLIP-VERBINDER
- L** METALL-CLIP
- M** ASIP-VERBINDER
- N** UNTERER HALTEGURT
- O** GURTKLEMME
- P** DECKEL GURTKLEMME
- Q** STÜTZFUSS
- R** STÜTZFUSSVERSTELLKNOFF
- S** SCHULTERGURT
- T** NEIGUNGSWINKEL-VERSTELLER



Zulässige und unzulässige Positionen des Kindersitzes Axxid MINIKID 4 PRO

Der Kindersitz Axxid MINIKID 4 PRO darf ausschließlich rückwärtsgerichtet installiert werden. Er passt auf den meisten, aber nicht auf allen Sitzplätzen. Im Handbuch des jeweiligen Fahrzeugs werden geeignete Sitzpositionen beschrieben. Die Fahrzeugliste finden Sie unter auf www.axkid.com.

Beifahrersitz (kein aktiver Airbag)	JA/NEIN*
Beifahrersitz (aktiver Airbag)	NEIN
Rücksitz mit Dreipunkt-Sicherheitsgurt	JA
Sitz mit Zweipunkt-Sicherheitsgurt	NEIN
Seit- und rückwärtsgerichtete Sitze	NEIN



WICHTIGER HINWEIS: Wenn Sie Ihren Kindersitz Axxid MINIKID 4 PRO auf einem Sitzplatz mit Frontairbag installieren möchten, muss der Airbag gemäß den Anweisungen des Fahrzeugherstellers deaktiviert werden. Dabei ist zu beachten, dass bei einigen Fahrzeugen die Deaktivierung des Airbags nur in einer Vertragswerkstatt erfolgen kann.

* Gemäß Artikel 117 der Allgemeinen Straßenverkehrsordnung in Spanien ist das Mitfahren von Kindern mit einer Körpergröße von 135 cm oder kleiner auf dem Vordersitz eines Fahrzeugs ausnahmslos untersagt.



Untere Befestigungspunkte

Wichtige Info:

Verankerungen für untere Gurte (LTA) verbessern den Schutz von Kindern in Autos, indem sie einen festen und stabilen Einbau für gegurtete, rückwärtsgerichtete Kindersitze ermöglichen. Diese Befestigung erhöht die Sicherheit Ihres Kindes bei allen Arten von Kollisionen, auch bei Überschlag- und Auffahrunfällen.

Spanngurte nach vorne sind eine gängige Methode, die in den nordischen Ländern seit über 40 Jahren zum Einsatz kommt. Im Jahr 2020 wurde ein neuer internationaler Standard für Befestigungspunkte von Spanngurten nach vorne veröffentlicht: ISO13216-4:2020. Diese Norm beschreibt die Anforderungen an Spanngurte für Kindersitze sowie an Fahrzeughersteller und deren Befestigungspunkte. Ihr Ziel ist es, künftig die Kompatibilität zu verbessern und eine sichere und einfache Installation zu gewährleisten.

Axxid MINIKID 4 PRO enthält zwei untere Haltegurte für den Einbau in Autos mit oder ohne untere Verankerung. Die Spanngurte des Axxid MINIKID 4 PRO entsprechen der Norm ISO13216-4:2020 und gewährleisten eine passgenaue und einfache Installation in Fahrzeugen mit vorinstallierten unteren Befestigungspunkten, die ebenfalls dieser Norm entsprechen. Wenn die Befestigungspunkte Ihres Fahrzeugs nicht dieser Norm entsprechen, werden Spanngurte des Axxid MINIKID 4 PRO wahrscheinlich dennoch passen; allerdings kann dies nicht garantiert werden. Vorinstallierte untere Befestigungspunkte in Fahrzeugen befinden sich häufig an den am Boden befestigten Sitzschienen, aber auch andere Positionen sind möglich. Weitere Informationen zu verwendbaren Befestigungspunkten finden Sie in der Bedienungsanleitung Ihres Fahrzeugs.

Axxid MINIKID 4 PRO wird mit allem Zubehör geliefert, das Sie für den Einbau des Kindersitzes in Ihr Fahrzeug benötigen. Untere Verankerungen und zusätzliche untere Haltegurte können jedoch separat erworben werden und machen die Installation in zahlreichen Autos schneller und einfacher. Einige Fahrzeughersteller bieten auch die Möglichkeit, untere Befestigungspunkte nachzurüsten. Bei Ihrem Fahrzeughersteller oder Händler erhalten Sie weitere Informationen. Axxid-Verankerungen zur Nachrüstung und zusätzliche untere Haltegurte können separat erworben werden.

Hinweis: Verwenden Sie den Axxid MINIKID 4 PRO niemals ohne die unteren Spanngurte. Sie sind ein wichtiges Sicherheitsmerkmal und müssen bei der Installation Ihres Kindersitzes unbedingt verwendet werden.



Einbau der unteren Haltegurte

Verwenden Sie beim Einbau des Axxid MINIKID 4 PRO immer zwei Befestigungspunkte, die darüber hinaus voneinander getrennt sein sollten, da so eine stabilere Installation zustande kommt. Je nach Fahrzeug und der Sitzposition, in der Sie Ihren Kindersitz installieren möchten, gibt es verschiedene mögliche Befestigungspunkte. Die einzelnen Alternativen finden Sie weiter unten.

Optionen für die Verlegung des unteren Gurtes

Option a Bringen Sie den Gurt um die Sitzschiene vor dem Kindersitz herum an, indem Sie den Gurt zwischen der Sitzschiene und dem Fahrzeugboden hindurch oder durch ein geeignetes Loch der Sitzschiene führen.

Option b Bringen Sie den Gurt um das Sitzgelenk des Fahrzeugsitzes vor dem Kindersitz herum an, indem Sie den Gurt zwischen der Rückenlehne des Fahrzeugsitzes und dem Sitzpolster hindurch führen.

Option c Bringen Sie den Gurt um die Sitzschiene unter dem Kindersitz herum an, indem Sie den Gurt zwischen der Sitzschiene und dem Fahrzeugboden hindurch oder durch ein geeignetes Loch der Sitzschiene führen.

Option d Bringen Sie den unteren Gurt an einem geeigneten Verankerungspunkt im hinteren Teil des Fahrzeugs an und führen Sie ihn unter dem Fahrzeugsitz zur Vorderseite des Fahrzeugs. Achten Sie darauf, dass der untere Gurt an der Vorderseite des Sitzes und nicht an den Seiten zum Vorschein kommt.

Option e Bei der Installation des Axxid MINIKID 4 PRO auf dem Beifahrersitz sollte der Gurt um den nächstgelegenen geeigneten Verankerungspunkt gewickelt werden, an dem die Gurte vollständig festgezogen werden können. Weiter hinten vorhandene Ankerpunkte können auch verwendet werden. Bei Bedarf kann der Gurt überkreuzt und sogar mit einem anderen Gurt zusammengeschlungen werden.

Hinweis: Vergewissern Sie sich stets, dass eine Änderung einer Fahrzeugsitzposition die angebrachten unteren Gurte nicht beeinträchtigt oder beschädigt.

Hinweis: Verwenden Sie niemals scharfe Gegenstände zum Anbringen der Gurte, da diese dadurch beschädigt werden könnten.



LTA

Bei der Installation des Axxid MINIKID 4 PRO mit unteren Gurthalterungen (LTA) kann der untere Gurt (N) um den Metallclip-Verbinder (K) geschlungen werden, während der Metallclip (L) mit der unteren Gurthalterung verbunden werden sollte.



Einbau des Kindersitzes Axxkid MINIKID 4 PRO im Fahrzeug

Stellen Sie vor der Installation des Axxkid MINIKID 4 PRO sicher, dass Ihr Fahrzeug über untere Befestigungspunkte verfügt. Weitere Informationen und Installationsanweisungen finden Sie im Abschnitt **untere Befestigungspunkte** und **Einbau der unteren Gurte**.

1

Den Reißverschluss und den Deckel der Gurtklemme (P) öffnen.

2

Den Axxkid MINIKID 4 PRO mit der Rückseite des Kindersitzes zur Fahrzeugvorderseite auf dem Fahrzeugsitz anbringen. Die Beinfreiheit des Kindes anpassen, indem Sie den Kindersitz einfach auf dem Fahrzeugsitz vor- und zurückbewegen. Der Axxkid MINIKID 4 PRO kann eng an der Fahrzeugsitzlehne installiert werden, darf jedoch niemals so angebracht werden, dass der Absatz (J) über die Kante des Fahrzeugsitzes hinaus ragt. Achten Sie darauf, dass die vertikale Linie (J) am Absatz (I) niemals über die Kante des Fahrzeugsitzes hinaus ragt.

Den Sitzwinkel des Kindersitzes mit dem Hebel zur Einstellung des Neigungswinkels (T) in eine geeignete Sitzwinkelposition bringen. Wählen Sie für maximale Sicherheit eine möglichst aufrechte Stellung und achten Sie gleichzeitig darauf, dass der Kopf Ihres Kindes beim Schlafen nicht nach vorne fällt. Aus Komfort- und Sicherheitsgründen sollte der Neigungswinkel mit zunehmendem Wachstum des Kindes aufrechter eingestellt werden. Es ist zu beachten, dass sich der Kindersitz beim Spannen der unteren Gurte (N) etwas stärker nach hinten neigt, weil er in das Polster des Fahrzeugsitzes sinkt. Beim Einbau des Axxkid MINIKID 4 PRO auf einem Beifahrersitz ist es möglich, aber nicht notwendig, dass die Rückseite des Kindersitzes Kontakt mit dem Armaturenbrett hat.

3

Die Gurtklemme (O) öffnen. Ziehen Sie eine Armlänge des Fahrzeuggurts heraus und führen Sie den Gurt durch den Ihnen am nächsten gelegenen Sicherheitsgurtschlitz (D). Den Gurt durch die Gurtklemme (O) und dann durch den Sicherheitsgurtschlitz (D) auf der gegenüberliegenden Seite führen. Den Fahrzeuggurt mittels des Gurtschlösschens anschließen und kräftig am Schulterteil des Fahrzeugsicherheitsgurts ziehen, damit er straff sitzt und der Kindersitz sicher befestigt ist. Je stärker Sie ziehen, desto fester liegt der Kindersitz an. Um eine noch festere und stabilere Befestigung zu erreichen, drücken Sie den Kindersitz nach unten, während Sie am Fahrzeuggurt ziehen. Wenn der Kindersitz fest angeschnallt ist, die Gurtklemme (O) schließen und den Fahrzeugsicherheitsgurt in seiner Position verriegeln. Stellen Sie sicher, dass sowohl der Schulter- als auch der Beckengurt gemeinsam in der Gurtklemme (O) verriegelt sind. Den Deckel der Gurtklemme (P) und den Reißverschluss schließen.

4

Befestigen Sie die Metallclips (L) an den Metallclip-Verbindern (K) auf jeder Seite des Kindersitzes (oder verbinden Sie die Metallclips (L) mit den Verankerungen in Ihrem Fahrzeug, wenn für die Installation untere Haltegurtverankerungen verwendet werden. Weitere Informationen finden Sie im Abschnitt **Anbringung der unteren Gurte** in diesem Handbuch. Drücken Sie die Oberseite des Autositzes nach unten, während Sie die unteren Gurte (N) spannen. Durch das Spannen der unteren Gurte (N) stellen Sie auch den endgültigen Neigungswinkel des Kindersitzes ein. Den Kindersitz so lange nach unten drücken und spannen, bis er sicher befestigt ist und der geeignete Sitzwinkel erreicht wurde.

5

Den Stützfuß (Q) aus dem Kindersitz herausziehen. Drücken Sie den Stützfußknopf (R) ein und ziehen Sie den Stützfuß (Q) nach unten, bis er den Fahrzeugboden berührt. Lassen Sie den Stützfußknopf (R) los und heben Sie den Kindersitz nach oben, um den Stützfuß (Q) weiter auszufahren, bis Sie ein Klickgeräusch hören. Der Stützfuß (Q) sollte nun verriegelt und fest gegen den Fahrzeugboden gedrückt sein. Achten Sie darauf, dass der Stützfuß (Q) um etwa 10° im Verhältnis zur Fahrzeugfront geneigt ist. Prüfen Sie erneut, ob der Sicherheitsgurt des Fahrzeugs weiterhin fest gespannt ist und der Beckengurt sich beim Spannen der unteren Gurte und des Stützfußes nicht gelockert hat. Wenn der Fahrzeuggurt etwas an Spannung verloren hat, straffen Sie ihn einfach nach, indem Sie Schritt 2 dieser Anleitung wiederholen, ohne die unteren Gurte zu lösen.

6

Schieben Sie das ASIP-Kissen (H) in die Schlitz am ASIP-Verbinder (M) und nach unten, bis das ASIP-Kissen (H) einrastet. Wenn sich am ASIP-Verbinder (M) eine Kunststoffabdeckung befindet, entfernen Sie diese und bringen Sie am ASIP-Verbinder (M) auf der gegenüberliegenden Seite des Sitzes an, bevor Sie das ASIP-Kissen (H) anbringen. Stellen Sie sicher, dass das ASIP-Kissen (H) an der Seite des Kindersitzes Axxkid MINIKID 4 PRO angebracht ist, die der Fahrzeurtür am nächsten liegt.



Anschnallen des Kindes im Kindersitz Axxkid MINIKID 4 PRO

Bevor Sie Ihr Kind im Kindersitz Axxkid MINIKID 4 PRO anschnallen, vergewissern Sie sich, dass sich die richtige Einlage im Sitz befindet. Der Axxkid MINIKID 4 PRO wächst mit Ihrem Kind und gewährleistet einen bequemen und sicheren Sitz für Kinder. Axxkid empfiehlt, die Einlage so lange zu verwenden, bis diese für das Kind zu eng ist, mindestens jedoch bis zu einer Mindestgröße gemäß der folgenden Tabelle (beachten Sie, dass das Alter nur einen Richtwert darstellt):

Alter	Körpergröße	
Kleinkind 0-3 Jahre	61–105 cm	
Kind 3-7 Jahre	106–125 cm	

Der Axxkid MINIKID 4 PRO ist mit einer verstellbaren Kopfstütze (A) ausgestattet. Weitere Informationen finden Sie im Abschnitt **Einstellung der Kopfstütze**.

7

Stellen Sie die Kopfstütze (A) ungefähr passend für Ihr Kind ein.

8

Lösen Sie den Sicherheitsgurt, indem Sie den Auslöseknopf für den Gurt (E) drücken, und ziehen Sie beide Schultergurte (S) gleichzeitig heraus. Es sollte vermieden werden, nur an einem Gurt zu ziehen, da die Schultergurte (S) dadurch ungleichmäßig werden können.

9

Entriegeln Sie das Gurtschloss, indem Sie den Schlossfreigabeknopf (C) drücken, und legen Sie die Gurte außerhalb des Sitzes zur Seite.

10

Das Kind in den Sitz setzen und die Schultergurte (S) über die Schultern des Kindes legen. Halten Sie den Bremshebel der Kopfstütze (G) gedrückt, um die Kopfstütze zu entriegeln und entriegelt zu halten. Drücken Sie die Kopfstütze (A) nach unten bzw. ziehen Sie diese nach oben, bis sich die Schultergurte maximal 1 cm über den Schultern des Kindes befinden. Der integrierte Sicherheitsgurt wird wie folgt verriegelt: Zuerst die Teile des Schlosses, die an den Schultergurten (S) befestigt sind, zusammenführen und diese dann in das Schloss schieben, bis ein Klicken zu hören ist.

11

Ziehen Sie an den Schultergurten (S), um den integrierten Sicherheitsgurt über den Hüften Ihres Kindes zu spannen. Die Spannung der Schultergurte (S) aufrecht halten und gleichzeitig den Gurtstraffer (F) gerade vom Kindersitz wegziehen, bis der Gurt straff genug sitzt. Es sollte nicht mehr als ein Finger zwischen die Schultergurte (S) und die Schultern Ihres Kindes passen.



Einstellung der Kopfstütze

Der Axxid MINIKID 4 PRO ist mit einer verstellbaren Kopfstütze (A) ausgestattet.

Achten Sie immer darauf, dass die Kopfstütze in der richtigen Höhe für Ihr Kind positioniert ist, wenn Sie den Kindersitz Axxid MINIKID 4 PRO verwenden. Sicherstellen, dass die Schultergurte (S) direkt von den Schultern des Kindes oder maximal 1 cm darüber durch den Sitz verlaufen. Andernfalls ist die Kopfstütze (A) entsprechend einzustellen.

Hinweis: Die Gurtspannung muss gelockert werden, wenn die Kopfstütze nicht auf eine geeignete Höhe hochgezogen werden kann. Drücken Sie die Entriegelungstaste (E) der Gurte, um den Gurt zu lösen.



Ausbau des Kindersitzes Axxid MINIKID 4 PRO aus dem Fahrzeug

- Den Reißverschluss und den Deckel der Gurtklemme (P) öffnen. Entriegeln Sie den Fahrzeugsicherheitsgurt, indem Sie auf den roten Knopf des Sicherheitsgurtschlosses drücken. Öffnen Sie die Gurtklemme (O) und ziehen Sie den Fahrzeuggurt durch die Gurtschlitz (D), um ihn vom Kindersitz zu entfernen.
- Entriegeln Sie die unteren Haltegurte (N), indem Sie die Anschlussstücke mit der Hand festhalten und mit dem Daumen auf den grauen Knopf drücken. Halten Sie den Stecker in der Hand und drücken Sie langsam, um die unteren Haltegurte zu verlängern.
- Drücken Sie den Stützfußknopf (R) und bringen Sie den Stützfuß (Q) in seine kürzeste Position.
- Klappen Sie den Neigungswinkelversteller (T) in die eingeklappte Position. Heben Sie den Axxid MINIKID 4 PRO aus dem Fahrzeug.

Tipp: Verriegeln Sie das Gurtschloss und spannen Sie das Gurtzeug, bevor Sie den Kindersitz aus dem Fahrzeug nehmen. Sie können dann die Schultergurte (S) als Tragegriff verwenden, um den Kindersitz leichter herauszuheben und außerhalb des Fahrzeugs zu transportieren.

Wichtig: Tragen Sie den Kindersitz niemals an der Kopfstütze (A).

Recycling des Kindersitzes



Axxid empfiehlt dringend, alte Kindersitze zu recyceln. Bevor der Sitz einer örtlichen Recyclingstation übergeben wird, sind die Gurte vom Sitz abzuschneiden, der Stoffbezug und möglichst viele Styroporteile zu entfernen und Metall- und Kunststoffteile möglichst zu trennen. Der Hauptteil des Sitzes sollte als unsicher oder abgelaufen gekennzeichnet sein (Farbstift verwenden), damit niemand ihn erneut benutzen kann. Die Richtlinien der jeweiligen Behörde vor Ort enthalten Recyclinganweisungen für die verschiedenen Materialien.



Pflege und Instandhaltung

Der Stoffbezug des Sitzes kann bei 30 °C im Schonwaschgang in der Waschmaschine gewaschen werden. Geben Sie den Bezug nicht in einen Trockner, da dies den Bezug beschädigen und die Polsterung sich vom Stoff lösen kann. Auf www.axkid.com finden Sie Videos, in denen die Abnahme und das Anbringen des Bezugs erläutert werden.

Wenn der Stoffbezug des Sitzes ausgetauscht werden muss, ist sicherzustellen, dass nur Originalprodukte von Axxid zum Einsatz kommen. Wenn andere Produkte verwendet werden, wird das Sicherheitssystem des Axxid-Kindersitzes möglicherweise beeinträchtigt, was bei Unfällen ernsthafte Verletzungen zur Folge haben kann. Sämtliche Kunststoffteile des Axxid-Kindersitzes können mit mildem Reinigungsmittel und Wasser gereinigt werden. Verwenden Sie keine aggressiven Chemikalien, die Lösungsmittel und dergleichen enthalten, da dies zu Schäden am Kunststoff führen und die Sicherheit des Kindersitzes beeinträchtigen kann.

Abnahme des Stoffbezugs:

- Entfernen Sie das ASIP-Kissen (H), falls es vorhanden ist.
- Ziehen Sie die Kopfstütze (A) in die oberste Position. Lösen Sie den Sicherheitsgurt, indem Sie den Auslöseknopf für den Gurt (E) drücken, und ziehen Sie beide Schultergurte (S) gleichzeitig heraus.
- Öffnen Sie die beiden Reißverschlüsse an der Unterseite der Kopfstütze (A) und ziehen Sie den Bezug vorsichtig von der Kopfstütze (A) ab.
- Die Kopfstütze (A) in die niedrigste Stellung absenken.
- Entriegeln Sie das Gurtschloss, indem Sie den Freigabeknopf (C) drücken, und entfernen Sie das Gurtschlosspolster.
- Den Reißverschluss und den Deckel der Gurtklemme (P) öffnen und die Kunststoffabdeckung vom Stoffbezug entfernen.
- Die 4 Knöpfe am Stoffbezug auf der Rückseite des Kindersitzes öffnen.
- Die beiden Reißverschlüsse der Rückenlehne auf der Innenseite des Kindersitzes öffnen und den Stoffbezug vorsichtig vom Kindersitz abziehen. Am ASIP-Kissen und anderen Kunststoffabdeckungen ist Vorsicht geboten, damit der Stoff nicht beschädigt wird. Nicht zu fest ziehen.
- Die Schulterpolster öffnen und vorsichtig vom Klettband abziehen.

Anbringung des Stoffbezugs:

- Die Schritte der obigen Anleitung bei der Anbringung des Stoffbezugs am Kindersitz in umgekehrter Reihenfolge ausführen.

Hinweis: Die Schulterpolster können an verschiedenen Positionen angebracht werden. Sie sind in einer für das Kind geeigneten Position anzubringen, wobei sich die Schulterpolster oben auf der Schulter und auf der Brust des Kindes befinden sollten. Achten Sie auch darauf, dass die Gummiseite des Schulterpolsters zur Brust des Kindes zeigt.

Garantie

Für den Axxid-Kindersitz wird eine 24-monatige Herstellergarantie ab Kaufdatum gewährt. Der Kassenbeleg sollte aufbewahrt werden, damit er bei Inanspruchnahme der Garantie am Kaufort vorgelegt werden kann.

Folgende Punkte werden nicht von der Garantie abgedeckt:

- Normale Verschleiß- und Abnutzungserscheinungen.
- Schäden durch unsachgemäße Verwendung, Nachlässigkeit oder Unfall
- Nach Reparaturen durch Dritte
- Sämtliche verwendeten Materialien zeichnen sich durch einen sehr hohen UV-Widerstandswert aus. UV-Licht ist jedoch sehr aggressiv und führt letztlich zum Ausbleichen des Sitzbezugs. Dies gilt als normaler Verschleiß und fällt somit nicht unter unsere Garantie.
- Gehen Sie vorsichtig mit dem Sitz um. Tragen Sie den Sitz niemals an der Kopfstütze (A).

Gracias por elegir la silla Axxid MINIKID 4 PRO

Lea este manual de instrucciones antes de instalar la silla de auto en su vehículo.
Para obtener más información y videos sobre la instalación, visite www.axkid.com.

La **Axxid MINIKID 4 PRO** es una silla de coche orientada hacia atrás homologada para niños con una estatura comprendida entre 61 y 125 cm, ≤36 kg

La silla Axxid MINIKID 4 PRO puede usarse a partir de los seis meses de edad del niño o desde que el niño puede sentarse solo sin apoyo.

Este producto es un sistema integral de retención infantil específico para su instalación en vehículos con cinturón de seguridad de 3 puntos. Está certificado según el reglamento n.º 129 de las Naciones Unidas para su instalación en asientos de vehículos compatibles según indique la lista de vehículos. Si tiene cualquier duda, consulte con el fabricante (www.axkid.com) o con su tienda.

Información importante

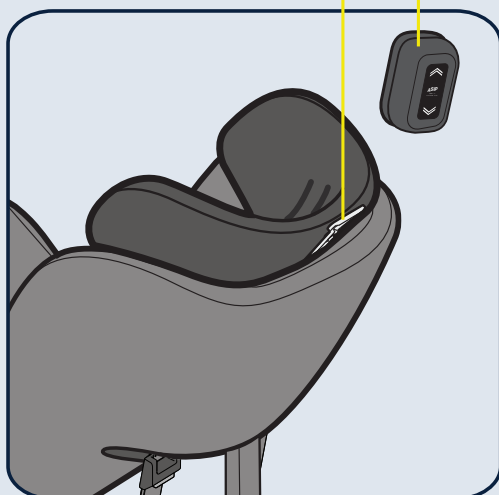
Para maximizar la seguridad del niño, es importante que recuerde lo siguiente:

- Siga siempre las instrucciones de este manual. Una instalación incorrecta puede poner en peligro la seguridad del niño. Si tiene cualquier duda, contacte con su tienda, donde le asesorarán para una correcta instalación.
- Conserve este manual de instrucciones para futuras consultas. Si pierde el manual, puede descargarlo online en www.axkid.com
- No instale nunca la silla de auto en el asiento de un vehículo que tenga instalado un airbag frontal. Si todavía desea instalar la silla de auto en ese sitio, se debe desactivar el airbag de acuerdo con las instrucciones del fabricante del vehículo.
- En caso de accidente de tráfico, por leve que sea, se debe sustituir obligatoriamente la silla de auto por una nueva. La silla podría tener algún daño invisible que no se detecte a simple vista y poner seriamente en peligro la seguridad del niño. Por esta razón, Axxid no recomienda adquirir sillas de auto de segunda mano.
- Si la silla de auto ha estado expuesta a la luz directa del sol, asegúrese de que no esté demasiado caliente al sentar al niño.
- No deje nunca al niño solo desatendido en el vehículo.
- Asegúrese de que cualquier equipaje o carga que lleve en el vehículo estén firmemente sujetos. Así evitará lesiones a los pasajeros en caso de accidente.
- Asegúrese de que la silla para coche esté instalada de manera que ninguna pieza quede atrapada por asientos móviles, puertas del coche, etc.
- Si utiliza un sistema de anclajes para correas de sujeción inferiores, asegúrese de que estas no dificulten el movimiento de ninguno de los asientos del vehículo.
- Esta silla de auto solo se puede instalar orientada hacia atrás.
- Asegúrese siempre de que el arnés se ajuste correctamente al cuerpo del niño. El arnés se ajusta moviendo el reposacabezas.
- Compruebe que la espalda del niño esté totalmente apoyada en la silla al colocar el arnés.
- Asegúrese siempre de que el arnés esté firmemente tenso y ajustado al niño y de que el broche del arnés esté correctamente abrochado, de forma que no quede flojo ningún tramo del cinturón del arnés.
- Asegúrese de que el arnés no esté torcido en ningún punto.
- Compruebe siempre que la pata de apoyo está en la posición correcta y en contacto con el suelo del vehículo. La pata de apoyo es un elemento de seguridad muy importante diseñado para maximizar la seguridad del niño en caso de accidente.
- No intente desmontar ni modificar ninguna pieza de la silla de auto. Hacerlo puede afectar a la garantía y a la seguridad efectiva del producto.
- No utilice nunca la silla de auto sin la funda. La funda de la silla es un componente del sistema de seguridad y solo se puede sustituir por otra funda Axxid original.
- Lea el manual del vehículo y la lista de vehículos disponible en www.axkid.com para comprobar cuáles son los asientos del vehículo en los que se puede instalar la silla.
- Axxid recomienda usar siempre un protector de asiento para proteger el asiento del vehículo de rasguños y suciedad.
- Si tiene cualquier duda, contacte con la tienda donde compró la silla o contacte con nosotros en el email info@axkid.com

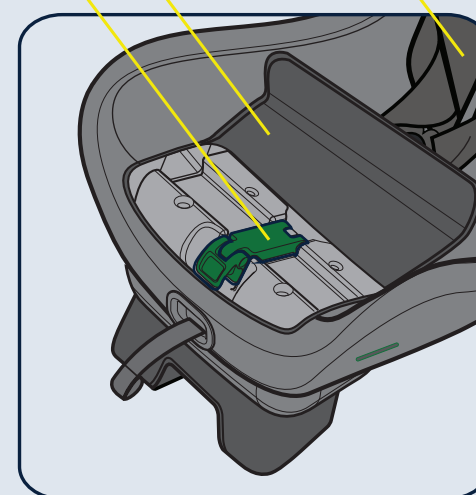
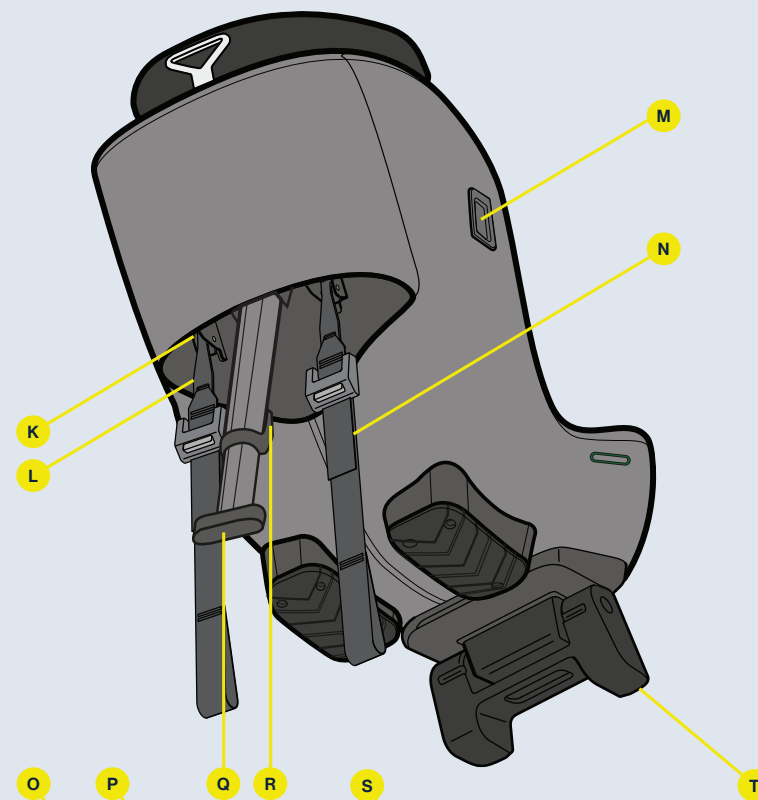
Índice

Piezas	34
Colocación permitida y no permitida de la silla de auto Axxid MINIKID 4 PRO	36
Anclajes de las correas de sujeción inferiores	36
Instalación de las correas de sujeción inferiores	37
Instalación de la silla de auto Axxid MINIKID 4 PRO en el vehículo	38
Sujeción del niño en la silla de auto Axxid MINIKID 4 PRO	39
Ajuste del reposacabezas	40
Desinstalación de la silla de auto Axxid MINIKID 4 PRO del vehículo	40
Cuidado y mantenimiento	41
Garantía	41

Piezas



- U** REPOSACABEZAS
- V** ARNÉS INTEGRAL
- W** BOTÓN DE APERTURA
- X** RANURA PARA EL CINTURÓN DE SEGURIDAD
- Y** BOTÓN PARA DESABROCHAR EL ARNÉS
- Z** CORREA PARA TENSAR EL ARNÉS
- AA** PALANCA DE FRENO DEL REPOSACABEZAS
- AB** ALMOHADILLA ASIP
- AC** ALZA
- AD** LÍNEA VERTICAL



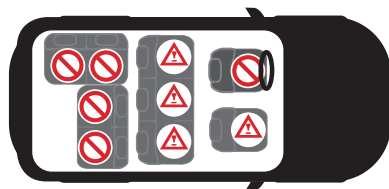
- AE** CONECTOR DE PINZA METÁLICA
- AF** PINZA METÁLICA
- AG** CONECTOR ASIP
- AH** CORREA DE SUJECIÓN INFERIOR
- AI** PINZA DE SUJECIÓN DEL CINTURÓN DE SEGURIDAD
- AJ** TAPA DONDE SE ALOJA LA PINZA DE SUJECIÓN DEL CINTURÓN DE SEGURIDAD
- AK** PATA DE APOYO
- AL** BOTÓN DE LA PATA DE APOYO
- AM** TIRANTE DEL ARNÉS
- AN** REGULADOR DEL ÁNGULO DE INCLINACIÓN



Colocación permitida y no permitida de la silla de auto Axkid MINIKID 4 PRO

La silla Axkid MINIKID 4 PRO solo se puede instalar orientada hacia atrás. Podrá instalarse en la mayoría de los asientos, pero no en todos. Consulte el manual de instrucciones del vehículo para ver en qué asientos puede instalar la silla y la lista de vehículos en www.axkid.com

Asiento delantero del acompañante (sin airbag activo)	SÍ/NO*
Asiento delantero del acompañante (airbag activo)	NO
Asiento trasero con cinturón de seguridad de 3 puntos	SÍ
Asiento con cinturón de seguridad de 2 puntos	NO
Asientos laterales u orientados hacia atrás	NO



IMPORTANTE. Si desea instalar la silla Axkid MINIKID 4 PRO en un asiento que tenga airbag frontal, el airbag se debe desconectar siguiendo las instrucciones del fabricante del vehículo. Tenga en cuenta que algunos vehículos requieren de un servicio técnico autorizado para desconectar el airbag.

* El Reglamento General de Circulación en España, en su artículo 117, establece la prohibición de circular con menores de estatura igual o inferior a 135 centímetros situados en los asientos delanteros del vehículo, salvo excepciones.



Anclajes de las correas de sujeción inferiores

Información importante

Los anclajes para correas de sujeción inferiores (LTA) se utilizan para mejorar la protección del niño en el vehículo proporcionando una instalación firme y estable en sillas de auto orientadas hacia atrás ancladas al cinturón de seguridad. De este modo, se incrementa la seguridad del niño en todo tipo de colisiones, incluidos los accidentes con vuelcos y los impactos traseros.

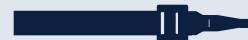
El sistema de sujeción por medio de correas inferiores es un método de eficacia comprobada ampliamente utilizado en los países nórdicos durante más de 40 años. En 2020 se publicó la nueva norma internacional ISO13216-4:2020 sobre LTA. La norma describe los requisitos que deben cumplir los asientos, los fabricantes de vehículos y los puntos de anclaje para el uso de las correas de sujeción inferiores. La finalidad consiste en mejorar la compatibilidad y garantizar una instalación fácil y segura para el futuro.

Axkid MINIKID 4 PRO incluye dos correas de sujeción inferiores para su instalación en vehículos con o sin anclajes de correas de sujeción inferiores. Las correas de sujeción inferiores incluidas cumplen la norma ISO13216-4:2020 para garantizar un acople perfecto y una instalación fácil en vehículos con anclajes para correas de sujeción inferiores preinstalados que cumplan la norma. Si los puntos de anclaje de su vehículo no cumplen la norma, es posible que las correas de sujeción inferiores de Axkid MINIKID 4 PRO sean compatibles, pero no es seguro. Normalmente, los anclajes de las correas de sujeción inferiores suelen encontrarse en los rieles de los asientos anclados al suelo del vehículo, pero es posible que su posición varíe. Consulte el manual de instrucciones de su vehículo para obtener más información acerca de los puntos de anclaje que se pueden utilizar.

La Axkid MINIKID 4 PRO viene con todo lo necesario para instalar la silla de auto en su vehículo. Sin embargo, los anclajes inferiores y las correas de anclaje inferiores adicionales se pueden adquirir por separado y harán que la instalación sea más rápida y sencilla en varios vehículos. Algunos fabricantes de vehículos ofrecen también la posibilidad de actualizar los anclajes para las correas de sujeción.

Para obtener más información, póngase en contacto con el fabricante o el concesionario de su vehículo. Los anclajes para correas de sujeción inferiores Axkid reacondicionados y las correas de sujeción inferiores adicionales pueden adquirirse por separado.

Nota: No use nunca la silla Axkid MINIKID 4 PRO sin las correas de sujeción inferiores. Constituyen un elemento de seguridad importante y se deben utilizar siempre que use la silla.



Instalación de las correas de sujeción inferiores

Utilice siempre dos puntos de anclaje para instalar la Axkid MINIKID 4 PRO. Utilice unos puntos de anclaje que estén separados, de este modo le conferirá estabilidad a la instalación. En función del vehículo y el asiento que elija para instalar la silla de auto, se pueden utilizar varios puntos de anclaje. Consulte a continuación las alternativas posibles.

Opciones de colocación de la correa de sujeción inferior

- alt. **a** Enrolle la correa de sujeción alrededor del riel que está delante del asiento pasándola entre el riel y el suelo del vehículo o a través de un orificio apropiado del riel.
- alt. **b** Enrolle la correa de sujeción en el recodo entre el respaldo y el asiento delantero del vehículo.
- alt. **c** Enrolle la correa de sujeción alrededor del riel que está debajo del asiento pasándola entre el riel y el suelo del vehículo o a través de un orificio apropiado del riel.
- alt. **d** Coloque la correa de sujeción inferior en un punto de anclaje adecuado en la parte trasera del vehículo y pásela por debajo del asiento del vehículo hasta la parte delantera del mismo. Asegúrese de que la correa de sujeción inferior salga por la parte delantera de debajo del asiento y no por los laterales.
- alt. **e** Al instalar la Axkid MINIKID 4 PRO en el asiento del pasajero delantero, la correa de sujeción debe enrollarse alrededor del punto de anclaje adecuado más cercano que permita tensar completamente las correas. Se pueden utilizar puntos de anclaje situados más atrás, y si es necesario, la correa de sujeción se puede cruzar e incluso enlazar con otra correa.

Nota: Asegúrese siempre de que el cambio de posición de cualquier asiento del vehículo no obstaculice ni dañe las correas de sujeción inferiores instaladas.

Nota: No utilice nunca objetos punzantes para ayudar a tender las correas de sujeción, ya que podrían dañarlas.



LTA

Al instalar la Axkid MINIKID 4 PRO utilizando anclajes para correas de sujeción inferiores (LTA), la correa inferior (N) puede enrollarse alrededor del conector de pinza metálica (K) y la pinza metálica (L) debe conectarse al anclaje de la correa de sujeción inferior.



Instalación de la silla de auto Axxkid MINIKID 4 PRO en el vehículo

Antes de instalar la Axxkid MINIKID 4 PRO, asegúrese de haber instalado las correas o los anclajes de sujeción inferiores en su vehículo. Para obtener más información e instrucciones de instalación, consulte las secciones acerca de los **Anclajes para correas de sujeción inferiores** y de la **Instalación de las correas de sujeción inferiores** de este manual.

1

Abra la cremallera y la tapa (P) donde se aloja la pinza de sujeción del cinturón de seguridad.

2

Coloque la silla Axxkid MINIKID 4 PRO en el asiento del vehículo de forma que el respaldo de la silla mire hacia la parte delantera del vehículo. Ajuste el espacio para las piernas del niño moviendo la silla de auto hacia delante o hacia atrás sobre el asiento del vehículo. La Axxkid MINIKID 4 PRO se puede instalar contra la parte trasera del vehículo, pero no se debe instalar nunca con las alzas (I) colgando más allá del borde del asiento. Asegúrese de que la señal de línea vertical (J) del alza (I) no sobrepase el borde del asiento del vehículo.

Para ajustar el ángulo de la silla de auto, elija una posición de inclinación adecuada con el regulador del ángulo de inclinación (T). Para lograr la máxima seguridad, elija una posición lo más erguida posible, asegurándose al mismo tiempo de que la cabeza del niño no caiga hacia delante si se queda dormido. Conforme el niño va creciendo es importante ir ajustando la reclinación de la silla a una posición más recta, para ofrecer así la mayor protección y comodidad posibles. Tenga en cuenta que la silla de auto se inclinará ligeramente al instalarla y hundirse en el asiento del vehículo cuando la sujetemos con las correas de sujeción inferiores (N). Es posible, pero no necesario, que al instalar la Axxkid MINIKID 4 PRO en el asiento del copiloto, el respaldo de la silla de auto toque el salpicadero del vehículo.

3

Abra la pinza de sujeción del cinturón de seguridad (O). Extraiga la longitud equivalente a un brazo del cinturón de seguridad y páselo por la ranura para el cinturón de seguridad (D) más próxima. Pase el cinturón de seguridad por la pinza de sujeción del cinturón (O) e introdúzcalo por la ranura para el cinturón de seguridad (D) del lado contrario. Abroche el cinturón de seguridad. Tire con fuerza del cinturón de seguridad en la zona del hombro para que quede tenso y la silla de auto quede bien sujeta. Cuanto más tire, más estable será la instalación. Presione fuertemente la silla de auto hacia abajo mientras tira del cinturón de seguridad del vehículo para que la instalación quede más estable y firme. Cuando la silla de auto esté bien sujeta, cierre la pinza de sujeción del cinturón de seguridad (O) y bloquee el cinturón de seguridad del vehículo en esa posición. Asegúrese de que la correa del hombro y el cinturón de cadera están sujetos con la pinza de sujeción del cinturón de seguridad (O). Cierre la tapa donde se aloja la pinza de sujeción del cinturón de seguridad (P) y cierre la cremallera.

4

Conecte las pinzas metálicas (L) a los conectores correspondientes (K) en cada lado de la silla de auto (o bien, conecte las pinzas metálicas (L) a los anclajes del vehículo si se utilizan anclajes para correas de sujeción inferiores para la instalación. Consulte la sección **Instalación de las correas de sujeción inferiores** en este manual para obtener más información). Presione hacia abajo en la parte superior de la silla de auto mientras tensa las correas de sujeción inferiores (N). Tensando las correas de sujeción inferiores (N) también se ajustará el ángulo de inclinación de la silla de auto. Siga presionando hacia abajo y tensando la silla hasta que quede bien sujeta y el ángulo de inclinación sea el apropiado.

5

Despliegue la pata de apoyo (Q) de la silla de auto. Presione el botón (R) de extensión de la pata de apoyo (Q) y extiéndala hasta que toque el suelo del vehículo. Suelte el botón (R) de la pata de apoyo y eleve la silla hacia arriba para extender la pata de apoyo (Q) hasta oír un clic. La pata de apoyo (Q) estará ahora fijada y presionada firmemente contra el suelo. Es importante comprobar que el ángulo de la pata de apoyo (Q) respecto a la parte delantera del vehículo es superior a 10°. Vuelva a comprobar el cinturón de seguridad para asegurarse de que siga estando tenso y que no se ha aflojado el cinturón de cadera al tensar las correas de sujeción inferiores y la pata de apoyo. Si el cinturón de seguridad ha perdido tensión, vuelva a tensarlo repitiendo el paso 2 del manual sin desconectar las correas de sujeción inferiores.

6

Empuje la almohadilla ASIP (H) en la ranura del conector ASIP (M) y deslicela hacia abajo para que la almohadilla ASIP (H) se coloque en su sitio. Si hubiera una tapadera de plástico en el conector ASIP (M), quítela de ese lado y póngasela al conector ASIP (M) del otro lado antes de colocar la almohadilla ASIP (H). Asegúrese de que coloca la almohadilla ASIP (H) en el lado de la silla Axxkid MINIKID 4 PRO más cercano a la puerta del vehículo.



Sujeción del niño en la silla de auto Axxkid MINIKID 4 PRO

Antes de sentar al niño en la silla de auto Axxkid MINIKID 4 PRO, asegúrese de que tiene los adaptadores apropiados instalados en la silla. La Axxkid MINIKID 4 PRO está diseñada para crecer con el niño de forma segura y cómoda. Axxkid recomienda usar los adaptadores correspondientes en cada momento hasta que el espacio sea demasiado estrecho para el niño, siempre teniendo en cuenta la altura mínima según la siguiente tabla (tener en cuenta que la edad es solo indicativa):

Edad	Altura	
Bebé 0-3 años	61 – 105 cm	
Niño 3-7 años	106 – 125 cm	

La Axxkid MINIKID 4 PRO está equipada con un reposacabezas ajustable (A). Consulte la sección **Ajuste del reposacabezas** para obtener más información.

7

Ajuste el reposacabezas (A) a una posición aproximada para el niño.

8

Afloje el arnés presionando el botón para desabrochar el arnés (E) y tire de los dos tirantes del arnés (S) a la vez. Evite tirar de una sola correa a la vez, ya que ello puede hacer que los tirantes del arnés (S) estén desparejados.

9

Abra el broche presionando el botón para desabrochar el arnés (C) y sitúe los tirantes fuera de la silla.

10

Siente al niño en la silla y coloque los tirantes del arnés (S) por encima de sus hombros. Tire y mantenga tensada la palanca de freno del reposacabezas (G) para desbloquearlo y mantenerlo desbloqueado. Empuje hacia abajo el reposacabezas (A) o tire de él hacia arriba hasta una posición en la que los tirantes del arnés estén situados como máximo 1 cm por encima de los hombros del niño. Para abrochar el arnés, primero junte las piezas de la hebilla que está unida a los tirantes del arnés (S) y, a continuación, empujelas dentro de la hebilla hasta que oiga un clic.

11

Tire de los tirantes del arnés (S) para tensar el arnés sobre las caderas del niño. Mientras mantiene la tensión de los tirantes del arnés (S), tire de la correa para tensar el arnés (F) hasta que el arnés esté lo suficientemente tenso, siendo un indicador de esto el no poder meter más de un dedo entre los tirantes del arnés (S) y los hombros del niño.



Ajuste del reposacabezas

La Axxkid MINIKID 4 PRO está equipada con un reposacabezas ajustable (A).

Asegúrese siempre de que el reposacabezas esté colocado a la altura correcta para su hijo cuando utilice la silla de auto Axxkid MINIKID 4 PRO. Compruebe que los tirantes del arnés (S) salen de la silla hacia delante desde los hombros del niño o como máximo 1 cm por encima. De no ser así, ajuste el reposacabezas (A) en consecuencia.

Nota: Es necesario liberar la tensión del arnés si no se puede subir el reposacabezas hasta una altura adecuada. Para aflojar el arnés, pulse el botón de liberación del arnés del cinturón (E).



Desinstalación de la silla de auto Axxkid MINIKID 4 PRO del vehículo

- Abra la cremallera y la tapa (P) donde se aloja la pinza de sujeción del cinturón de seguridad. Abra el cinturón de seguridad pulsando el botón rojo del broche del cinturón. Abra la pinza de sujeción del cinturón de seguridad (O) y tire del cinturón pasándolo por las ranuras del cinturón (D) para sacarlo de la silla de auto.
- Suelte las correas de sujeción inferiores (N) sujetando los conectores con la mano y pulsando el botón gris con el pulgar. Mientras mantiene el conector en la mano, empuje lentamente para extender las correas de sujeción inferiores.
- Pulse el botón de la pata de apoyo (R) y deje anclada la pata de apoyo (Q) en la posición más corta.
- Doble el regulador del ángulo de inclinación (T) a su posición plegada. Saque la silla Axxkid MINIKID 4 PRO del vehículo.

Consejo: Bloquee el broche del arnés y tense el arnés antes de sacar la silla de auto del vehículo. Así podrá utilizar los tirantes del arnés (S) como asas de transporte para sacar la silla de auto del vehículo.

Importante: No transporte nunca la silla de seguridad sujetándola por el reposacabezas (A).

Reciclaje de la silla de auto



Axxkid recomienda encarecidamente el reciclaje de las sillas para coche usadas. Antes de dejar la silla en su punto de reciclaje local, corte los tirantes del arnés de la silla, retire la funda, retire todas las piezas de poliestireno expandido que sea posible y separe las piezas de metal y de plástico si es posible. Se debe marcar la parte principal de la silla indicando que no es segura o que está caducada (con un marcador) para disuadir a cualquiera de volver a utilizarla. Consulte las directrices municipales locales para conocer las instrucciones de reciclaje de los distintos materiales.

Cuidado y mantenimiento

La funda de la silla de seguridad Minikid puede quitarse y lavarse a máquina a 30° C usando el programa de lavado para prendas delicadas. No use secadora, ya que esto puede dañar el tejido y hacer que el relleno se separe de la tela. En nuestra web www.axkid.com puede ver vídeos explicando cómo quitar y poner la funda.

Si tiene que sustituir la funda de la silla, asegúrese de utilizar solo productos originales de Axxkid. Si se utilizan otros productos, el sistema de seguridad de la silla de auto Axxkid puede verse en peligro y podrían producirse lesiones graves en caso de accidente.

Todas las piezas de plástico de la silla de auto Axxkid se pueden limpiar con detergente suave y agua. No utilice productos químicos agresivos que contengan disolventes, etc., ya que esto puede provocar daños en el plástico y poner en peligro la seguridad de la silla.

Quitar la funda:

- Quite la almohadilla ASIP (H) si está colocada.
- Tire del reposacabezas (A) hasta su posición más elevada. Afloje el arnés presionando el botón para desabrochar el arnés (E) y tire de los dos tirantes del arnés (S) a la vez.
- Abra las dos cremalleras que están en la parte inferior del reposacabezas (A) y quite la funda del reposacabezas (A) tirando de ella con cuidado.
- Baje el reposacabezas (A) hasta su posición más baja.
- Abra el broche presionando el botón para desabrochar el arnés (C) y quite la funda del broche.
- Abra la cremallera y la tapa (P) donde se aloja la pinza de sujeción del cinturón de seguridad y extraiga la tapa de plástico de la funda de tela.
- Abra los 4 botones de la funda que quedan en la parte trasera de la silla de auto.
- Abra las dos cremalleras del respaldo y quite con cuidado la funda de la silla de auto. Tenga cuidado de no dañar la funda en la zona de la almohadilla ASIP y las tapas de plástico. No tire con demasiada fuerza.
- Abra las almohadillas para hombros y suéltelas con cuidado del Velcro.

Poner la funda:

- Para volver a poner la funda en la silla de auto, realice los pasos anteriores en orden inverso.

Nota: Las almohadillas para hombros se pueden colocar de varias formas diferentes. Colóquelas en una posición adecuada para el niño; las almohadillas deben quedar sobre los hombros del niño, no sobre su pecho. Asegúrese de que la cara de goma de la almohadilla de hombro quede mirando hacia el pecho del niño.

Garantía

La silla de auto Axxkid está cubierta por una garantía de 24 meses a partir de la fecha de compra. Asegúrese de guardar su recibo de compra y llevarlo al lugar en el que realizó la compra en caso de tener algún problema con la garantía.

La garantía no cubre:

- El desgaste normal del producto.
- Los daños causados por un uso incorrecto, negligencia o accidente.
- Si las reparaciones las ha realizado un tercero.
- Todos los materiales usados tienen una clasificación muy alta de resistencia a los rayos ultravioleta. Sin embargo, la luz UV es muy agresiva y, en última instancia, hará que la cubierta de la silla se decolore. Esto no está cubierto por nuestra garantía, ya que se considera un desgaste normal.
- Utilice la silla con cuidado. No transporte nunca la silla de auto sujetándola por el reposacabezas (A).

Merci d'avoir choisi Axkid MINIKID 4 PRO

Lisez ce Manuel d'utilisation avant d'installer le siège auto dans votre véhicule.
Pour obtenir plus d'informations et voir des vidéos d'installation, consultez www.axkid.com.

Axkid MINIKID 4 PRO est un siège auto dos à la route homologué pour les enfants d'une taille comprise entre 61 et 125 cm, ≤36 kg

Axkid MINIKID 4 PRO peut être utilisé à partir de l'âge d'environ six mois ou à partir du moment où votre enfant peut s'asseoir sans soutien.

Il s'agit d'un système de retenue pour enfants amélioré à ceinture spécifique intégré. Il est homologué conformément au Règlement CEE/ONU n° 129, pour une utilisation sur des places assises de véhicules compatibles comme indiqué par la liste des véhicules. En cas de doute, consultez le fabricant du dispositif de retenue amélioré pour enfants (www.axkid.com) ou le détaillant.

Informations importantes

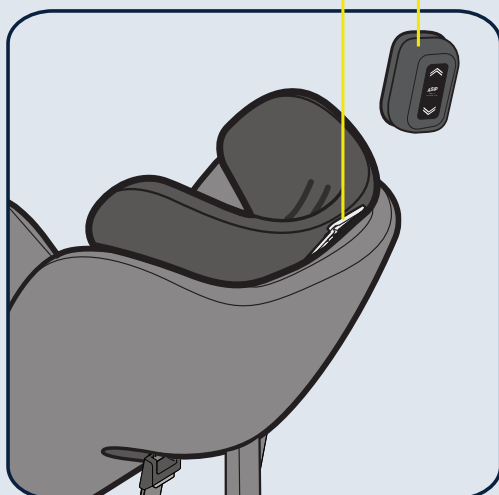
Pour maximiser la sécurité de votre enfant, il est important que vous gardiez à l'esprit les points suivants :

- Suivez toujours les instructions de ce manuel. Une installation incorrecte peut gravement affecter la sécurité de votre enfant. En cas de doute, contactez votre revendeur qui peut vous démontrer une installation correcte.
- Conservez ce manuel d'utilisation pour référence ultérieure. Si vous avez perdu le manuel, vous pouvez le trouver en ligne sur www.axkid.com
- N'utilisez pas le siège auto sur une place équipée d'un airbag frontal actif. Si vous souhaitez quand même installer le siège auto à cet endroit, l'airbag doit être désactivé selon les instructions du constructeur du véhicule.
- En cas d'accident, aussi léger soit-il, votre siège auto doit toujours être remplacé. Il peut présenter des dommages qui ne sont pas visibles et qui pourraient sérieusement affecter la sécurité de votre enfant. Pour cette raison, Axkid ne recommande pas d'acheter des sièges auto d'occasion.
- Si le siège auto a été exposé à la lumière directe du soleil, assurez-vous qu'il n'est pas trop chaud avant d'y installer votre enfant.
- Ne laissez jamais votre enfant sans surveillance dans la voiture.
- Assurez-vous que les bagages ou les objets en vrac sont fixés dans votre véhicule, car ils peuvent causer des blessures aux passagers en cas de collision.
- Assurez-vous que le siège auto est installé de manière à ce qu'aucune pièce ne soit coincée dans des sièges mobiles, des portières de voiture, etc.
- Si vous utilisez des sangles d'ancrage pour les attaches inférieures, assurez-vous qu'elles sont installées sans interférer avec les mouvements des sièges du véhicule.
- Ce siège auto ne peut être installé QUE vers l'arrière.
- Assurez-vous toujours que le harnais est bien ajusté de façon à s'adapter correctement au corps de votre enfant. Le harnais est ajusté en déplaçant le support de tête.
- Assurez-vous que le dos de l'enfant est bien en contact avec le dossier du siège auto lorsque vous retenez votre enfant avec le harnais.
- Assurez-vous toujours que le harnais est fermement serré contre votre enfant et que la boucle est complètement verrouillée : vous ne devriez pas pouvoir pincer les sangles.
- Assurez-vous que le harnais ne soit pas vrillé.
- Assurez-vous toujours que la jambe de force soit dans la bonne position et qu'elle soit en contact avec le plancher du véhicule. La jambe de force est un élément de sécurité très important conçu pour maximiser la sécurité de votre enfant en cas d'accident.
- N'essayez pas de démonter ou de modifier tout ou partie du siège auto. La garantie et les performances de sécurité du siège auto risquent d'en être affectées si vous le faites.
- N'utilisez jamais le siège auto sans sa housse en tissu. La housse textile du siège est un élément de sécurité et ne peut être remplacée que par une housse textile de siège d'origine Axkid.
- Lisez le manuel du véhicule et la liste des véhicules compatibles sur www.axkid.com pour trouver les places assises qui conviennent pour ce siège auto.
- Axkid recommande de toujours utiliser une protection de siège pour protéger le siège de votre véhicule contre les rayures et la saleté.
- En cas de doute, contactez le revendeur chez lequel le siège auto a été acheté ou contactez info@axkid.com

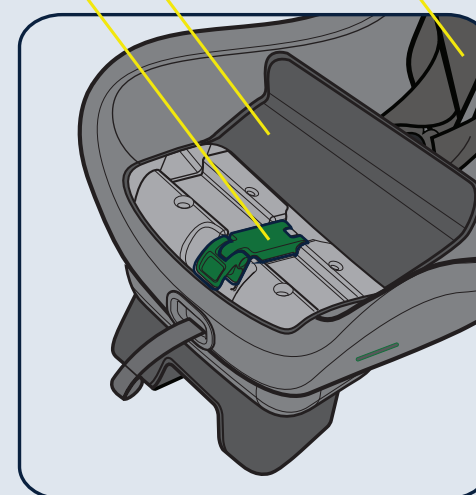
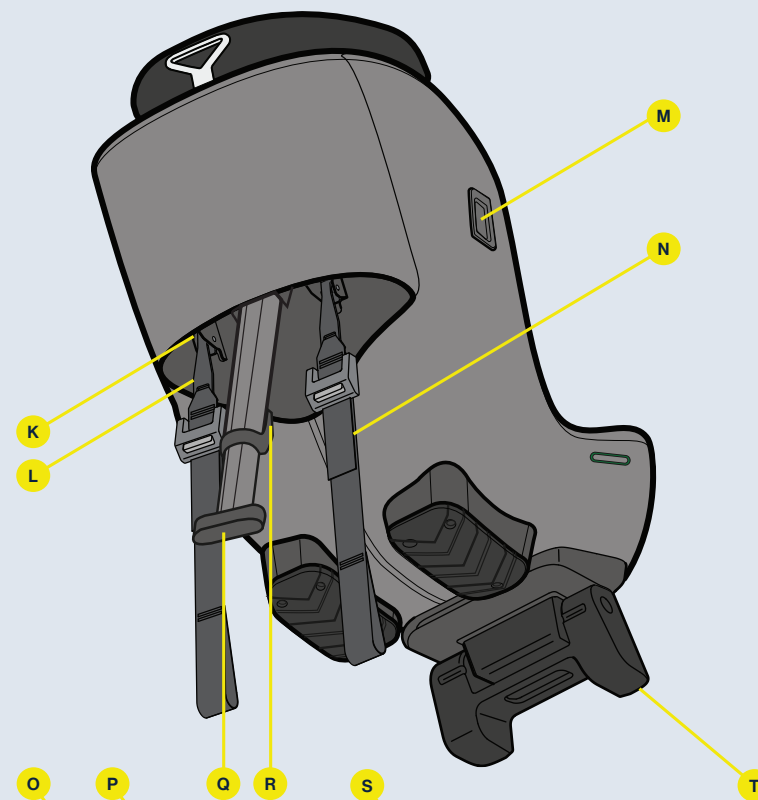
Sommaire

Différentes parties	44
Positionnement autorisé et interdit du siège auto Axkid MINIKID 4 PRO	46
Points d'ancrage pour attaches inférieures	46
Installation d'attaches inférieures	47
Installation du siège auto Axkid MINIKID 4 PRO dans le véhicule	48
Attacher votre enfant dans le siège auto Axkid MINIKID 4 PRO	49
Réglages de l'appui-tête	50
Retrait du siège auto Axkid MINIKID 4 PRO du véhicule	50
Soin et entretien	51
Garantie	51

Composants



- A** APPUI-TÊTE
- B** HARNAIS INTÉGRAL
- C** BOUTON DE DÉVERROUILLAGE DE LA
- D** FENTE POUR CEINTURE DE SÉCURITÉ
- E** BOUTON DE DÉVERROUILLAGE DU HARNAIS
- F** SANGLE DE SERRAGE DU HARNAIS
- G** LEVIER DE FREIN D'APPUI-TÊTE
- H** TAMPON ASIP
- I** TALON
- J** LIGNE VERTICALE



- K** CONNECTEUR À CLIP MÉTALLIQUE
- L** CLIP MÉTALLIQUE
- M** CONNECTEUR ASIP
- N** ATTACHE INFÉRIEURE
- O** PINCE DE CEINTURE
- P** COUVERCLE DE SERRAGE DE CEINTURE
- Q** JAMBE DE FORCE
- R** BOUTON DE LA JAMBE DE FORCE
- S** BRETELLE DE HARNAIS
- T** RÉGLEUR D'ANGLE D'INCLINAISON



Positionnement autorisé et interdit du siège auto Axkid MINIKID 4 PRO

Le siège auto Axkid MINIKID 4 PRO ne peut être installé que dos à la route. Il s'adaptera à la plupart des places assises du véhicule, mais pas à toutes. Consultez le manuel d'utilisation de votre véhicule pour trouver les places assises appropriées et consultez la liste des véhicules sur www.axkid.com.

Siège passager avant (sans airbag actif)	OUI/NON*
Siège passager avant (avec airbag actif)	NON
Siège passager arrière avec ceinture de sécurité 3 points	OUI
Siège avec ceinture de sécurité à 2 points	NON
Sièges latéraux et tournés vers l'arrière	NON



IMPORTANT : Si vous souhaitez installer votre siège Axkid MINIKID 4 PRO à une place où un airbag frontal est installé, l'airbag doit être déconnecté conformément aux instructions du constructeur de votre véhicule. Notez que pour certains véhicules, il est nécessaire de s'adresser à un centre de service agréé qui se chargera de déconnecter l'airbag.

* Le Règlement général de la circulation en Espagne, dans son article 117, interdit de conduire avec des enfants de stature égale ou inférieure à 135 centimètres installés sur les sièges avant du véhicule, sans la moindre exception.



Points d'ancrage pour attaches inférieures

Informations importantes

Les ancrages pour attaches inférieures (LTA) servent à améliorer la protection des enfants dans les voitures en garantissant une installation ferme et stable pour les sièges auto dos à la route attachés à l'aide de la ceinture de sécurité du véhicule. Cela accroît la sécurité de votre enfant dans tous les types de collisions, y compris les accidents avec renversement/tonneaux et les impacts par l'arrière.

Les attaches inférieures sont une méthode bien établie qui est largement utilisée dans les pays nordiques depuis plus de 40 ans. En 2020, une nouvelle norme internationale pour LTA, ISO13216-4:2020, a été publiée. Cette norme décrit les exigences relatives aux attaches inférieures pour les sièges auto, mais aussi pour les constructeurs de véhicules et leurs points d'ancrage. L'objectif est d'améliorer la compatibilité et d'assurer pour l'avenir un moyen d'installation sûr et facile.

Axkid MINIKID 4 PRO comprend deux attaches inférieures pour une installation dans des voitures avec ou sans ancrages de fixation inférieurs. Les attaches inférieures incluses sont conformes à la norme ISO13216-4:2020, assurant un ajustement parfait et une installation facile dans les véhicules dotés de points d'ancrages pour attaches inférieures, préinstallés, qui sont également conformes à cette norme. Si votre véhicule a des points d'ancrage qui ne sont pas conformes à la norme, les attaches inférieures du siège Axkid MINIKID 4 PRO sont toujours susceptibles, mais non garanties, de s'adapter. Les points d'ancrages pour les attaches inférieures qui sont préinstallés dans les véhicules, se trouvent souvent sur les rails de siège fixés au sol, mais d'autres positions sont également utilisées. Consultez le manuel d'utilisation de votre véhicule pour plus d'informations sur les points d'ancrage utilisables.

Axkid MINIKID 4 PRO est livré avec tout ce dont vous avez besoin pour installer le siège auto dans votre véhicule. Cependant, des ancrages de fixation plus bas et des sangles d'ancrage de fixation plus basses supplémentaires peuvent être achetés séparément et rendront l'installation plus rapide et plus facile dans plusieurs voitures. Certains constructeurs de véhicules offrent également la possibilité de rénover les points d'ancrages pour attaches inférieures. Communiquez avec le constructeur ou le concessionnaire de votre véhicule pour obtenir de plus amples renseignements. Les ancrages de fixation inférieure et les attaches inférieures supplémentaires d'Axkid peuvent être achetés séparément.

Nota : N'utilisez jamais Axkid MINIKID 4 PRO sans les attaches inférieures. Elles constituent une caractéristique de sécurité importante et doivent toujours être utilisés lors de l'installation de votre siège auto.



Installation d'attaches inférieures

Utilisez toujours deux points d'ancrage lors de l'installation d'Axkid MINIKID 4 PRO et choisissez des points d'ancrage séparés, car cela assure une installation plus stable. Selon votre véhicule et la position du siège où vous choisissez d'installer votre siège auto, il y a différents points d'ancrage possibles à utiliser pour installer les sangles d'ancrage. Voir ci-dessous pour les alternatives.

Options de trajet pour les attaches inférieures

- alt. **a** Installez la sangle autour du rail du siège du véhicule situé devant le siège auto en passant la sangle entre le rail du siège et le plancher du véhicule ou à travers un trou approprié sur le rail du siège.
- alt. **b** Installez la sangle autour de la charnière du siège du véhicule situé devant le siège auto en passant la sangle entre le dossier et le coussin du siège.
- alt. **c** Installez la sangle autour du rail du siège du véhicule situé devant le siège auto en passant la sangle entre le rail du siège et le plancher du véhicule ou à travers un trou approprié sur le rail du siège.
- alt. **d** Installez l'attache inférieure à un point d'ancrage approprié à l'arrière du véhicule et faites passer l'attache sous le siège du véhicule vers l'avant du véhicule. Assurez-vous que les sangles d'ancrage sortent de l'avant du siège et non des côtés.
- alt. **e** Lors de l'installation de l'Axkid MINIKID 4 PRO sur le siège passager avant, l'attache doit être enroulée autour du point d'ancrage approprié le plus proche qui permettra de serrer complètement les sangles. Des points d'ancrage situés plus en arrière peuvent être utilisés et, si nécessaire, l'attache peut être croisée et même enroulée avec une autre attache.

Nota : Assurez-vous toujours que le changement de position de n'importe quel siège de véhicule n'interfère pas avec les sangles d'ancrage en place et ne les endommage pas.

Nota : N'utilisez jamais d'objets tranchants pour vous aider à passer les sangles, car cela pourrait endommager la sangle.



LTA Lors de l'installation de l'Axkid MINIKID 4 PRO à l'aide d'ancrages de fixation inférieurs (LTA), l'attache inférieure (N) peut être enroulée autour du connecteur à clip métallique (K) et le clip métallique (L) doit être connecté à l'ancrage de fixation inférieur.



Installation du siège auto Axkid MINIKID 4 PRO dans le véhicule

Avant d'installer Axkid MINIKID 4 PRO, assurez-vous d'avoir des points d'ancrages dans votre véhicule pour les attaches inférieures du siège auto. Reportez-vous à la section sur les **Ancrages pour les attaches inférieures** et sur l'**Installation des attaches inférieures** pour plus d'informations et des instructions d'installation.

1 Dézippez la fermeture à glissière et ouvrez le couvercle de la pince de ceinture (P).

2 Placez l'Axkid MINIKID 4 PRO sur le siège du véhicule avec l'arrière du siège auto face à l'avant du véhicule. Ajustez l'espace pour les jambes de votre enfant en déplaçant simplement le siège auto d'avant en arrière sur le siège du véhicule. Axkid MINIKID 4 PRO peut être installé au plus près du dossier du siège du véhicule, ou plus éloigné mais ne peut jamais être installé avec le talon (I) suspendu au-dessus du bord du siège du véhicule. Assurez-vous que la ligne verticale (J) sur le talon (I) ne dépasse jamais le bord du siège du véhicule.

Ajustez l'angle du siège auto en appuyant sur le levier de réglage de l'inclinaison (T) et sélectionnez une position d'inclinaison appropriée. Pour une sécurité maximale, choisissez une position aussi redressée que possible tout en veillant à ce que la tête de votre enfant ne tombe pas vers l'avant pendant son sommeil. Pour des raisons de confort et de sécurité, l'angle d'inclinaison doit être ajusté à une position plus verticale à mesure que votre enfant grandit. Notez que lors du serrage des attaches inférieures (N), le siège auto gagnera en inclinaison car il s'enfoncera dans le coussin du siège du véhicule. Lors de l'installation d'Axkid MINIKID 4 PRO sur un siège passager avant, il est possible, mais pas nécessaire, que l'arrière du siège auto soit en contact avec le tableau de bord.

3 Ouvrez la pince de ceinture (O). Tirez la ceinture de sécurité pour avoir une longueur à peu près longue comme le bras et passez la dans la fente de ceinture de sécurité (D) la plus proche de vous. Faites passer la ceinture à travers la pince de ceinture (O) puis dans la fente de ceinture de sécurité (D) du côté opposé. Connectez la ceinture de sécurité du véhicule à la boucle de la ceinture de sécurité et tirez vigoureusement sur la partie d'épaule de la ceinture de sécurité du véhicule pour enlever le mou et pour attacher le siège auto, plus vous tirez fort, plus l'installation est ferme. Pour créer une installation encore plus ferme et stable, appuyez sur le siège auto tout en tirant sur la ceinture d'épaule. Lorsque le siège auto est fermement fixé, fermez la pince de ceinture (O) pour verrouiller la ceinture de sécurité du véhicule en position. Assurez-vous que les 2 pans de ceinture, la partie qui passe sur l'épaule et la ceinture sous-abdominale, sont verrouillés ensemble dans la pince de ceinture (O). Fermez le couvercle de la pince de ceinture (P) et fermez la fermeture à glissière.

4 Fixez les clips métalliques (L) aux connecteurs à clips métalliques (K) de chaque côté du siège enfant (ou connectez les clips métalliques (L) aux ancrages de votre véhicule si des ancrages d'attache inférieurs sont utilisés pour l'installation. Voir la section **Installation des attaches inférieures** dans ce manuel pour plus d'informations). Appuyez sur le dessus du siège auto tout en tendant les attaches inférieures (N). En tendant les attaches inférieures (N), vous réglez également l'angle d'inclinaison final du siège auto. Continuez à appuyer sur le siège auto jusqu'à ce qu'il soit fermement fixé et que vous ayez obtenu un angle d'inclinaison approprié.

5 Tirez sur la jambe de force (Q) pour la sortir du siège auto. Appuyez sur le bouton de la jambe de force (R) et tirez la jambe de force (Q) vers le bas jusqu'à ce qu'elle soit en contact avec le plancher du véhicule. Lâchez le bouton de la jambe de force (R) et soulevez le siège auto vers le haut pour étendre davantage la jambe de force (Q) jusqu'à ce que vous entendiez un clic. La jambe de force (Q) doit maintenant être verrouillée et fermement appuyée contre le plancher du véhicule. Assurez-vous que la jambe de force (Q) est inclinée d'environ 10° vers l'avant du véhicule. Vérifiez à nouveau la ceinture de sécurité du véhicule pour vous assurer qu'elle est toujours fermement tendue et qu'aucun relâchement ne s'est produit dans la ceinture de hanche lors de l'ajustement des attaches inférieures et de la jambe de force. Si la ceinture du véhicule n'est plus aussi tendue, il suffit de la resserrer en répétant l'étape 2 de ce guide sans déconnecter les attaches inférieures.

6 Poussez le coussin ASIP (H) dans les fentes du connecteur ASIP (M) et glissez-le vers le bas, vous entendrez alors un clic qui vous indiquera que le coussin ASIP (H) est en place. S'il y a un couvercle en plastique sur le connecteur ASIP (M), retirez-le et placez-le sur le connecteur ASIP (M) du côté opposé du siège avant de raccorder le coussin ASIP (H). Assurez-vous que le coussin ASIP (H) est fixé sur le côté du siège Axkid MINIKID 4 PRO le plus proche de la portière du véhicule.



Attacher votre enfant dans le siège auto Axkid MINIKID 4 PRO

Avant de retenir votre enfant dans le siège auto Axkid MINIKID 4 PRO, assurez-vous d'avoir le réducteur adéquat installé dans le siège. Axkid MINIKID 4 PRO est conçu pour grandir avec votre enfant et pour permettre un ajustement confortable et sûr pour les enfants. Axkid recommande d'utiliser le réducteur jusqu'à ce qu'il soit trop serré pour votre enfant, mais jusqu'à une taille minimale selon le tableau ci-dessous (notez que l'âge n'est qu'indicatif) :

Âge	Hauteur	
Bambin 0-3 ans	61–105 cm	
Enfant 3-7 ans	106–125 cm	

L'Axkid MINIKID 4 PRO est équipé d'un appui-tête réglable (A). Voir la section **Réglage de l'appui-tête** pour plus d'informations.

7 Ajustez l'appui-tête (A) sur une position approximative pour votre enfant.

8 Desserrez le harnais en appuyant sur le bouton de déverrouillage du harnais (E) et tirez sur les deux bretelles (S) en même temps. Évitez de ne tirer qu'une seule sangle à la fois, car cela pourrait rendre les bretelles (S) inégales.

9 Déverrouillez la boucle en appuyant sur le bouton de déverrouillage de la boucle (C) et placez les bretelles à l'extérieur du siège.

10 Installez votre enfant dans le siège et placez les bretelles (S) sur les épaules de votre enfant. Tirez et tenez le levier de frein de l'appui-tête (G) pour déverrouiller et maintenir l'appui-tête déverrouillé. Poussez vers le bas/tirez vers le haut l'appui-tête (A) jusqu'à ce que les bretelles soient situées à 1 cm maximum au-dessus des épaules de l'enfant. Verrouillez le harnais en positionnant d'abord les parties de la boucle qui sont attachées aux bretelles (S) ensemble, puis poussez-les dans la boucle jusqu'à ce que vous entendiez un clic.

11 Tirez sur les bretelles (S) pour resserrer le harnais sur les hanches de votre enfant. Tout en maintenant la tension dans les bretelles (S), tirez la sangle de serrage du harnais (F) directement du siège auto jusqu'à ce que le harnais soit suffisamment serré, vous ne devriez pas pouvoir passer plus d'un doigt entre les bretelles (S) et les épaules de votre enfant.



Réglage de l'appui-tête

L'Axkid MINIKID 4 PRO est équipé d'un appui-tête réglable (A).

Assurez-vous toujours que l'appui-tête est positionné à la bonne hauteur pour votre enfant lorsque vous utilisez votre siège enfant Axkid MINIKID 4 PRO. Vérifiez que les bretelles (S) passent au niveau des épaules de votre enfant ou au maximum 1 cm au-dessus. Si ce n'est pas le cas, réglez l'appui-tête (A) en conséquence.

Nota : La tension du harnais doit être relâchée si l'appui-tête ne peut pas être tiré vers le haut à une hauteur appropriée. Appuyez sur le bouton de déverrouillage du harnais de ceinture (E) pour desserrer le harnais.



Retrait du siège auto Axkid MINIKID 4 PRO du véhicule

- Dézippez la fermeture à glissière et ouvrez le couvercle de la pince de ceinture (P). Déverrouillez la ceinture de sécurité du véhicule en appuyant sur le bouton rouge de la boucle de la ceinture de sécurité. Ouvrez la pince de ceinture (O) et tirez la ceinture de sécurité du véhicule et guidez-la à travers les fentes de ceinture de sécurité (D) pour la retirer du siège auto.
- Déverrouillez les attaches inférieures (N) en maintenant les connecteurs avec votre main et en appuyant sur le bouton rouge avec votre pouce. Tout en gardant le connecteur dans votre main, poussez lentement pour étendre les attaches inférieures.
- Appuyez sur le bouton de la jambe de force (R) et raccourcissez la jambe de force (Q) à sa position la plus courte.
- Pliez le réglage de l'angle d'inclinaison (T) sur sa position repliée. Soulevez l'Axkid MINIKID 4 PRO hors du véhicule.

Conseil : Verrouillez la boucle du harnais et serrez le harnais avant de retirer le siège auto du véhicule. Vous pouvez ensuite utiliser les bretelles (S) comme poignées de transport, ce qui facilite le lavage du siège auto et son transport à l'extérieur du véhicule.

Important : Ne portez jamais le siège en le tenant par l'appui-tête (A).

Recyclage de votre siège auto



Axkid recommande vivement de recycler les sièges auto usés. Avant de déposer le siège à votre station de recyclage locale, coupez les bretelles du siège, enlevez la housse en tissu, enlevez autant de pièces en polystyrène que possible, séparez si possible les pièces métalliques des pièces en plastique. La principale partie du siège devra être marquée avec la mention « dangereux » (utilisez un marqueur) pour dissuader quiconque de le réutiliser. Veuillez consulter vos directives municipales locales avec les instructions de recyclage des différents matériaux.

Soin et entretien

La housse textile du siège peut être lavée en machine à 30 °C sur un cycle doux. Ne passez pas la housse au sèche-linge, car cela pourrait l'endommager et le rembourrage pourrait se détacher du tissu. Consultez www.axkid.com pour obtenir des vidéos expliquant comment enlever et remettre la housse.

Si la housse de siège en textile a besoin d'être remplacée, veillez à n'utiliser que des produits Axkid d'origine. Si vous utilisez d'autres produits, le système de sécurité du siège auto peut être dégradé et provoquer de graves blessures en cas d'accident. Toute pièce en plastique du siège auto Axkid peut être nettoyée avec un détergent doux et de l'eau. N'utilisez pas de produits chimiques agressifs contenant des solvants, etc., car ils peuvent endommager le plastique et compromettre la sécurité du siège auto.

Enlevez la housse textile :

- Retirez le coussin ASIP (H) s'il est fixé.
- Tirez l'appui-tête (A) vers sa position la plus haute. Desserrez le harnais en appuyant sur le bouton de déverrouillage du harnais (E) et tirez sur les deux bretelles (S) en même temps.
- Dézippez les deux fermetures sur la face inférieure de l'appui-tête (A) et retirez soigneusement la housse de l'appui-tête (A).
- Abaissez l'appui-tête (A) sur sa position la plus basse.
- Déverrouillez la boucle du harnais en appuyant sur le bouton de déverrouillage de la boucle (C) et retirez la housse de la boucle.
- Dézippez la fermeture et ouvrez le couvercle de la pince de ceinture (P), puis sortez le couvercle en plastique de la housse textile.
- Dézippez la fermeture sous le siège auto et ouvrez les 4 boutons de la housse textile à l'arrière du siège auto.
- Dézippez les deux fermetures au niveau du dossier à l'intérieur du siège auto et retirez doucement la housse textile du siège auto. Faites attention autour du coussin ASIP et des autres couvercles en plastique pour ne pas endommager le textile, ne tirez pas vigoureusement. Ne tirez pas trop vigoureusement.
- Ouvrez les protections de harnais et retirez-les doucement du velcro.

Installez la housse textile :

- Suivez les étapes de l'instruction ci-dessus en sens inverse pour réinstaller la housse textile sur le siège auto.

Nota : Les protections de harnais peuvent être installées sur différentes positions. Installez-les dans une position adaptée à votre enfant ; les protections de harnais doivent être positionnées sur le dessus de l'épaule et sur la poitrine de votre enfant. Assurez-vous également que la face en caoutchouc de la protection de harnais s'appuie contre la poitrine de votre enfant.

Garantie

Le siège auto Axkid est couvert par une garantie de 24 mois à partir de la date d'achat. Conservez votre facture et apportez-la à votre lieu d'achat pour toute question ou réclamation relative à la garantie.

La garantie ne couvre pas :

- Usure normale.
- Dommages causés par une utilisation incorrecte, la négligence ou un accident.
- Si des réparations ont été faites par un tiers.
- Tous les matériaux utilisés ont une très haute résistance aux UV. Cependant, la lumière UV est très agressive et va inévitablement conduire à une décoloration de la housse du siège. Cette décoloration n'est pas couverte par notre garantie car elle est considérée comme une usure normale.
- Manipulez le siège avec soin. Ne portez jamais le siège en le tenant par l'appui-tête (A).

Grazie per aver scelto Axxid MINIKID 4 PRO

Leggere attentamente il presente manuale di istruzioni prima di installare il seggiolino per auto nel veicolo. Maggiori informazioni e i video per l'installazione sono disponibili sul sito www.axkid.com.

Axxid MINIKID 4 PRO è un seggiolino per auto rivolto all'indietro ed è omologato per bambini di altezza compresa tra 61 e 125 cm e peso ≤ 36 kg

Axxid MINIKID 4 PRO è adatto per bambini di circa sei mesi di età o che sono in grado di restare seduti autonomamente.

Si tratta di un avanzato sistema di ritenuta per bambini con cintura integrato, specifico per veicoli. È approvato ai sensi del Regolamento ONU n. 129 per l'utilizzo in sedili compatibili, come indicato nell'elenco dei veicoli. In caso di dubbi, consultare il produttore del sistema di ritenuta per bambini avanzato (www.axkid.com) o il rivenditore.

Informazioni importanti

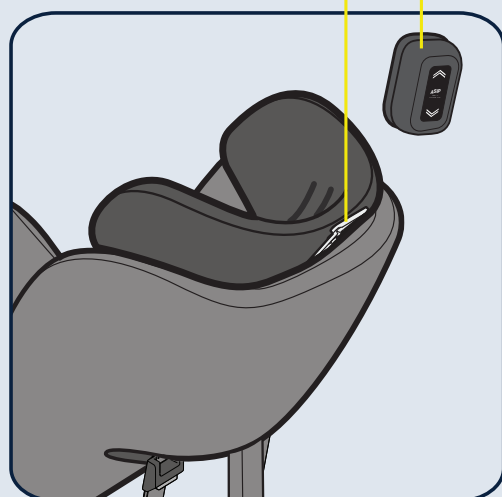
Per la massima sicurezza del bambino, è importante ricordare quanto segue:

- Attenersi sempre alle istruzioni nel presente manuale. Un'installazione non corretta può compromettere seriamente la sicurezza del bambino. In caso di dubbi rivolgersi al rivenditore, che può illustrare la procedura di installazione corretta.
- Conservare il presente manuale di istruzioni d'uso per consultazioni future. In caso di smarrimento, il manuale è disponibile online su www.axkid.com
- Non collocare il seggiolino per auto in un sedile dotato di airbag frontale attivo. Se si desidera installare comunque il seggiolino per auto in questa posizione, disattivare l'airbag seguendo le istruzioni del produttore del veicolo.
- Il seggiolino deve sempre essere sostituito in caso di incidente, anche se di lieve entità. Potrebbe presentare danni non visibili e compromettere seriamente la sicurezza del bambino. Per questo motivo, Axxid consiglia di non acquistare seggiolini per auto usati.
- Se il seggiolino per auto è stato esposto alla luce solare diretta, assicurarsi che non sia troppo caldo prima di collocarvi il bambino.
- Non lasciare mai il bambino incustodito a bordo del veicolo.
- Fissare sempre eventuali bagagli o altri oggetti liberi nel veicolo, poiché potrebbero ferire i passeggeri in caso di incidente.
- Installare sempre il seggiolino per auto in modo che nessuna parte rimanga schiacciata da sedili scorrevoli, portiere ecc.
- Se si utilizzano le cinghie di ancoraggio inferiori, assicurarsi che siano montate in modo da non interferire con il movimento dei sedili del veicolo.
- Questo seggiolino per auto deve sempre essere orientato all'indietro.
- Verificare sempre che l'imbracatura sia regolata per adattarsi correttamente al corpo del bambino. L'imbracatura si regola spostando il poggiatesta.
- Quando si assicura il bambino con l'imbracatura, verificare che la sua schiena sia perfettamente a contatto con il seggiolino.
- Assicurarsi sempre che l'imbracatura sia ben stretta e che la fibbia sia completamente bloccata, ovvero le cinghie siano perfettamente tirate.
- Assicurarsi che l'imbracatura non sia attorcigliata.
- Assicurarsi sempre che l'asta di supporto sia nella posizione corretta e a contatto con il pianale del veicolo. La gamba di supporto è una caratteristica di sicurezza molto importante, concepita per aumentare al massimo la sicurezza del bambino in caso di incidente.
- Non provare a smontare o modificare nessun componente del seggiolino per auto. In caso contrario, la garanzia e le prestazioni di sicurezza del seggiolino per auto potrebbero risultare compromesse.
- Non utilizzare mai il seggiolino per auto senza il rivestimento in tessuto. Il rivestimento in tessuto del seggiolino è una caratteristica di sicurezza e deve essere sostituito esclusivamente con un rivestimento in tessuto Axxid originale.
- Consultare il manuale del veicolo e l'elenco dei veicoli su www.axkid.com per identificare i sedili idonei per questo seggiolino per auto.
- Axxid consiglia di utilizzare sempre una protezione per il sedile del veicolo per evitare graffi e macchie.
- Per eventuali dubbi, contattare il rivenditore del seggiolino auto o scrivere all'indirizzo info@axkid.com

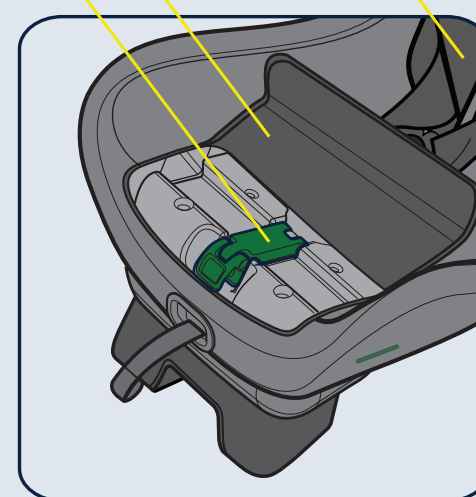
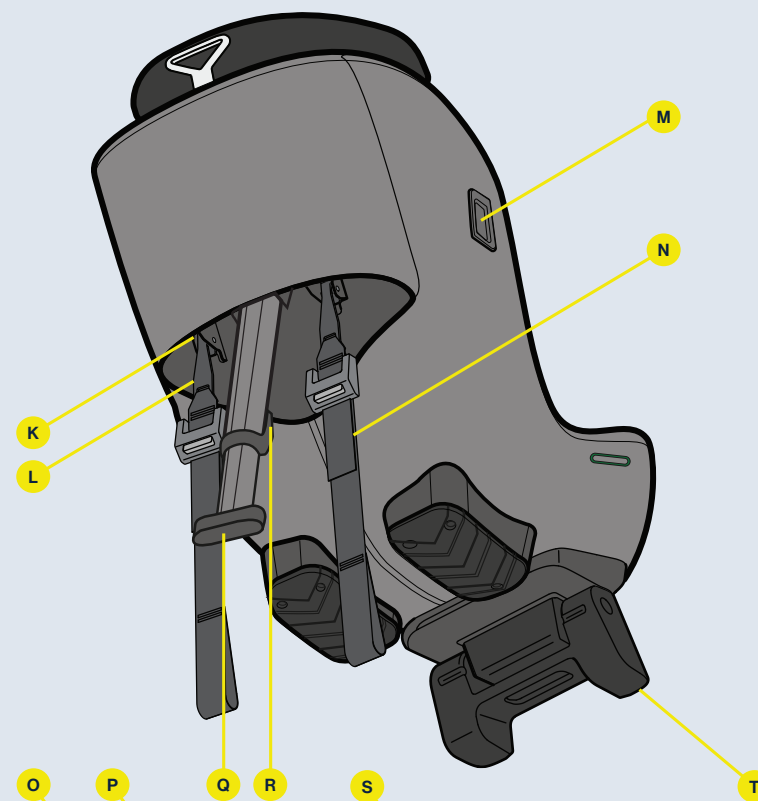
Indice

Componenti	54
Posizione consentita e non consentita del seggiolino per auto Axxid MINIKID 4 PRO	56
Ancoraggi per le cinghie inferiori	56
Installazione delle cinghie inferiori	57
Installazione del seggiolino per auto Axxid MINIKID 4 PRO nel veicolo	58
Assicurare il bambino nel seggiolino per auto Axxid MINIKID 4 PRO	59
Regolazioni del poggiatesta	60
Rimozione del seggiolino per auto Axxid MINIKID 4 PRO dal veicolo	60
Cura e manutenzione	61
Garanzia	61

Componenti



- A** POGGIATESTA
- B** IMBRACATURA INTEGRALE
- C** PULSANTE DI SBLOCCO DELLA FIBBIA
- D** FESSURA PER CINTURA DI SICUREZZA
- E** PULSANTE DI RILASCIO DELL'IMBRACATURA
- F** CINGHIA DI TENSIONAMENTO DELL'IMBRACATURA
- G** LEVA DEL FERMO DEL POGGIATESTA
- H** CUSCINETTO ASIP
- I** BASE DI APPOGGIO
- J** LINEA VERTICALE



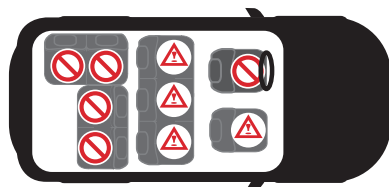
- K** CONNETTORE CON CLIP METALLICA
- L** CLIP METALLICA
- M** CONNETTORE ASIP
- N** CINGHIA INFERIORE
- O** MORSETTO PER CINTURA
- P** COPERTURA DEL MORSETTO PER CINTURA
- Q** GAMBA DI SUPPORTO
- R** PULSANTE PER LA GAMBA DI SUPPORTO
- S** BRETELLA
- T** DISPOSITIVO DI REGOLAZIONE DELL'ANGOLO DI INCLINAZIONE



Posizione consentita e non consentita del seggiolino per auto Axkid MINIKID 4 PRO

Il seggiolino per auto Axkid MINIKID 4 PRO può essere montato esclusivamente in direzione opposta al senso di marcia. Il seggiolino è adatto per la maggior parte dei sedili, ma non per tutti. Consultare il manuale di istruzioni del veicolo per identificare i sedili adatti e l'elenco dei veicoli su www.axkid.com

Sedile passeggero anteriore (senza airbag attivo)	SI/NO*
Sedile passeggero anteriore (con airbag attivo)	NO
Sedile passeggero posteriore con cintura di sicurezza a 3 punti	SI
Sedile con cintura di sicurezza a 2 punti	NO
Sedili rivolti lateralmente e all'indietro	NO



IMPORTANTE. Se si desidera montare il seggiolino Axkid MINIKID 4 PRO in un sedile dotato di airbag frontale, l'airbag deve essere disattivato seguendo le istruzioni del produttore del veicolo. Si ricorda che per disattivare l'airbag in alcuni veicoli è necessario rivolgersi a un centro di assistenza.

* L'articolo 117 del Regolamento Generale sulla Circolazione in Spagna vieta di viaggiare in auto con bambini di altezza pari a 135 centimetri o inferiore sui sedili anteriori del veicolo, senza eccezioni di sorta.



Ancoraggi per le cinghie inferiori Informazioni importanti

Gli ancoraggi per le cinghie inferiori (LTA) servono ad assicurare maggiore protezione per i bambini, poiché consentono il posizionamento saldo e stabile del seggiolino rivolto in direzione opposta al senso di marcia con cintura estesa. In questo modo aumenta la sicurezza dei bambini in tutti i tipi di incidenti, compresi il ribaltamento e il tamponamento.

Le cinghie inferiori sono un sistema ben consolidato e diffusamente utilizzato nei paesi nordici da oltre 40 anni. Nel 2020 è stata approvata una nuova normativa internazionale per le LTA, la ISO13216-4:2020. Questa normativa descrive i requisiti per le cinghie inferiori per i seggiolini auto ma anche per i produttori di veicoli e i relativi punti di ancoraggio. La normativa è finalizzata ad aumentare la compatibilità e garantire un'installazione facile e sicura per il futuro.

Axkid MINIKID 4 PRO viene fornito con due cinghie inferiori per l'installazione nelle auto con o senza ancoraggi per le cinghie inferiori. Le cinghie inferiori sono conformi alla normativa ISO13216-4:2020, in modo da adattarsi alla perfezione e poter essere installate facilmente nei veicoli dotati di ancoraggi inferiori preinstallati anch'essi conformi a questa normativa. Qualora il veicolo fosse dotato di punti di ancoraggio non conformi alla normativa, è comunque probabile, ma non garantito, che si possano comunque utilizzare le cinghie inferiori di Axkid MINIKID 4 PRO.

Gli ancoraggi inferiori preinstallati nei veicoli spesso sono collocati sulle guide del sedile e fissati al pianale, ma possono anche essere ubicati in altre posizioni. Per ulteriori informazioni sui punti di ancoraggio disponibili, consultare il manuale di istruzioni del veicolo.

Axkid MINIKID 4 PRO viene fornito con tutto l'occorrente per installare il seggiolino per auto nel proprio veicolo. Tuttavia, gli ancoraggi e le eventuali cinghie inferiori supplementari possono essere acquistati anche separatamente e renderanno l'installazione più rapida e semplice in diverse auto. Alcuni produttori di veicoli offrono anche la possibilità di installare gli ancoraggi inferiori in post-montaggio. Per ulteriori informazioni, contattare il produttore o il concessionario del veicolo. Gli ancoraggi per il post-montaggio di Axkid e le cinghie inferiori supplementari possono essere acquistati separatamente.

Nota: Non utilizzare mai Axkid MINIKID 4 PRO senza le cinghie inferiori. Queste cinghie sono una caratteristica di sicurezza importante e si devono sempre utilizzare per montare il seggiolino nel veicolo.



Installazione delle cinghie inferiori

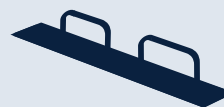
Utilizzare sempre due punti di ancoraggio per installare Axkid MINIKID 4 PRO, preferibilmente separati per consentire un posizionamento più stabile. In base al veicolo e al sedile in cui si sceglie di collocare il seggiolino per auto, sono disponibili diversi punti di ancoraggio. Le varie opzioni sono riportate di seguito.

Opzioni per il posizionamento delle cinghie inferiori

- alt. **a** Far passare la cinghia attorno alla guida del sedile davanti al seggiolino infilandola tra la guida del sedile e il pianale del veicolo o nell'apposito foro della guida del sedile.
- alt. **b** Far passare la cinghia attorno alla cerniera del sedile del veicolo davanti al seggiolino infilandola tra lo schienale e la seduta del sedile.
- alt. **c** Far passare la cinghia attorno alla guida del sedile sotto il seggiolino infilandola tra la guida del sedile e il pianale del veicolo o nell'apposito foro della guida del sedile.
- alt. **d** Far passare la cinghia inferiore in un punto di ancoraggio adatto nella parte posteriore del veicolo e disporla sotto il sedile verso la parte anteriore del veicolo. Assicurarsi che la cinghia inferiore fuoriesca dalla parte anteriore e non ai lati del sedile.
- alt. **e** Quando si installa Axkid MINIKID 4 PRO sul sedile del passeggero anteriore, la cinghia deve essere avvolta attorno al punto di ancoraggio adatto più vicino che consenta di stringere completamente la cinghia. È possibile utilizzare anche punti di ancoraggio posizionati più indietro e, se necessario, la cinghia può essere incrociata e persino avvolta insieme a un'altra cinghia.

Nota: Verificare sempre che la posizione dei sedili, modificata per installare le cinghie inferiori, non interferisca né danneggi le cinghie.

Nota: Non utilizzare mai oggetti appuntiti per agevolare il posizionamento delle cinghie, per evitare di danneggiarle.



LTA Quando si installa Axkid MINIKID 4 PRO utilizzando gli ancoraggi per le cinghie inferiori (LTA), la cinghia inferiore (N) può essere avvolta attorno al connettore con clip metallica (K) e la clip metallica (L) deve essere collegata all'ancoraggio inferiore.



Installazione del seggiolino per auto Axkid MINIKID 4 PRO nel veicolo

Prima di montare Axkid MINIKID 4 PRO, verificare se nel veicolo sono presenti le cinghie inferiori oppure gli appositi ancoraggi. Per ulteriori informazioni e istruzioni per il montaggio, fare riferimento alle sezioni **Ancoraggi per le cinghie inferiori** e **Installazione delle cinghie inferiori** nel presente manuale.

1 Aprire la cerniera e la copertura del morsetto per cintura (P).

2 Posizionare Axkid MINIKID 4 PRO sul sedile del veicolo con lo schienale rivolto verso la parte anteriore del veicolo. Regolare lo spazio per le gambe del bambino semplicemente spostando il seggiolino in avanti o indietro sul sedile del veicolo. Axkid MINIKID 4 PRO può essere collocato a contatto con lo schienale del sedile, ma non si può in nessun caso montare con la base di appoggio (I) sospesa oltre il bordo del sedile. Assicurarsi che la linea verticale (J) sulla base di appoggio (I) non superi mai il bordo del sedile.

Regolare l'inclinazione del seggiolino premendo l'apposita leva di regolazione (T) e scegliere una posizione reclinata confortevole. Per la massima sicurezza, scegliere la posizione più eretta possibile, che impedisca però alla testa del bambino di ricadere in avanti mentre dorme. Per motivi sia di comfort che di sicurezza, l'angolo di inclinazione si dovrebbe ridurre man mano che il bambino cresce per assicurare sempre la posizione eretta più adeguata. Si ricorda che, tensionando le cinghie inferiori (N), il seggiolino risulterà leggermente più inclinato poiché affonda nella seduta del sedile. Quando si installa Axkid MINIKID 4 PRO sul sedile del passeggero anteriore può capitare che lo schienale del seggiolino sia a contatto con il cruscotto, ma non è una condizione indispensabile.

3 Aprire il morsetto per cintura (O). Estrarre la cintura di sicurezza del veicolo per la lunghezza di un braccio e farla passare attraverso la fessura per cintura di sicurezza (D) più vicina a sé. Far passare la cintura attraverso il morsetto per cintura (O) e quindi attraverso la fessura per cintura di sicurezza (D) sul lato opposto. Inserire la cintura di sicurezza nella fibbia della cintura e tirare con forza la sezione della spalla della cintura per eliminare completamente il gioco e fissare il seggiolino, maggiore è il tensionamento e più stabile sarà l'installazione. Per un'installazione ancora più salda e stabile, premere il seggiolino mentre si tira la cintura del veicolo. Quando il seggiolino è saldamente fissato in posizione, chiudere il morsetto per cintura (O) e bloccarla in posizione. Assicurarsi che sia la fascia diagonale che quella addominale siano bloccate insieme nel morsetto per cintura (O). Chiudere la copertura del morsetto per cintura (P) e la cerniera.

4 Fissare le clip metalliche (L) ai connettori metallici (K) su ogni lato del seggiolino per bambini (o collegare le clip metalliche (L) agli ancoraggi del veicolo se per l'installazione vengono utilizzati gli ancoraggi per le cinghie inferiori. Per ulteriori informazioni, vedere la sezione **Installazione delle cinghie inferiori** in questo manuale). Premere verso il basso sulla parte superiore del seggiolino per auto mentre si tensionano le cinghie inferiori (N). Tensionando le cinghie inferiori (N) si regola anche l'angolo di inclinazione definitivo del seggiolino. Continuare a premere e tensionare il seggiolino finché non è saldamente fissato e non si è ottenuto un angolo di inclinazione adeguato.

5 Estrarre la gamba di supporto (Q) dal seggiolino. Premere il pulsante per la gamba di supporto (R) e tirare la gamba di supporto (Q) verso il basso finché non è a contatto con il pianale del veicolo. Rilasciare il pulsante per la gamba di supporto (R) e sollevare il seggiolino verso l'alto per estendere ulteriormente la gamba di supporto (Q) finché non scatta in posizione. A questo punto, la gamba di supporto (Q) dovrebbe essere bloccata e saldamente a contatto con il pianale del veicolo. Assicurarsi che la gamba di supporto (Q) sia angolata di circa 10° verso la parte anteriore del veicolo. Controllare di nuovo la cintura di sicurezza del veicolo per verificare che sia ancora ben tesa e che non si sia verificato nessun allentamento della cintura subaddominale durante il tensionamento delle cinghie inferiori e della gamba di supporto. Se la cintura del veicolo si è allentata, è sufficiente ritensionarla ripetendo il passaggio 2 di questa guida senza staccare le cinghie inferiori.

6 Spingere il cuscinetto ASIP (H) nelle fessure sul connettore ASIP (M) e farlo scorrere verso il basso, finché il cuscinetto ASIP (H) non scatta in posizione. Se è presente una copertura in plastica sul connettore ASIP (M), rimuoverla e posizionarla sul connettore ASIP (M) sul lato opposto del seggiolino prima di montare il cuscinetto ASIP (H). Montare il cuscinetto ASIP (H) sul lato del seggiolino Axkid MINIKID 4 PRO più vicino alla portiera del veicolo.



Assicurare il bambino nel seggiolino per auto Axkid MINIKID 4 PRO

Prima di assicurare il bambino nel seggiolino Axkid MINIKID 4 PRO, verificare di aver installato la sagomatura corretta nel seggiolino. Axkid MINIKID 4 PRO è progettato per crescere insieme al bambino e per garantire una postura comoda e sicura. Axkid consiglia di utilizzare la sagomatura finché non è troppo stretta per il bambino, ma a una lunghezza minima in base alla tabella di seguito (si ricorda che l'età è semplicemente indicativa):

Età	Altezza	
Bambino piccolo 0-3 anni	61 – 105 cm	
Bambino 3-7 anni	106 – 125 cm	

Axkid MINIKID 4 PRO è dotato di un poggiatesta regolabile (A). Per ulteriori informazioni, vedere la sezione **Regolazione del poggiatesta**.

7 Regolare il poggiatesta (A) in posizione approssimativa per il bambino.

8 Allentare l'imbracatura premendo l'apposito pulsante di rilascio (E) ed estrarre contemporaneamente entrambe le bretelle (R). Evitare di tirare una bretella per volta, perché le bretelle (S) potrebbero risultare irregolari.

9 Sbloccare la fibbia dell'imbracatura premendo l'apposito pulsante di rilascio (E) e posizionare le bretelle all'esterno del seggiolino.

10 Sistemare il bambino nel seggiolino e collocare le bretelle (S) sopra la sue spalle. Tirare e tenere premuta la leva del fermo del poggiatesta (G) per sbloccare e mantenere il poggiatesta sbloccato. Spingere verso il basso/ sollevare il poggiatesta (A) in una posizione in cui le bretelle si trovino al massimo 1 cm sopra le spalle del bambino. Bloccare l'imbracatura unendo prima tra loro le parti della fibbia sulle estremità delle bretelle (S), quindi spingendole nella fibbia finché non scattano in posizione.

11 Tirare le bretelle (S) per stringere l'imbracatura sui fianchi del bambino. Mantenendo in tensione le bretelle (S), tirare la cinghia di tensionamento dell'imbracatura (F) direttamente dal seggiolino, finché l'imbracatura non è sufficientemente tesa, ovvero è possibile inserire solo un dito tra le bretelle (S) e le spalle del bambino.



Regolazione del poggiatesta

Axkid MINIKID 4 PRO è dotato di un poggiatesta regolabile (A).

Assicurarsi sempre che il poggiatesta sia posizionato all'altezza corretta per il bambino quando si utilizza il seggiolino per auto Axkid MINIKID 4 PRO. Verificare che le bretelle (S) partano direttamente dalle spalle del bambino o al massimo 1 cm sopra. In caso contrario, regolare il poggiatesta (A) di conseguenza.

Nota: La tensione dell'imbracatura deve essere rilasciata se il poggiatesta non può essere tirato fino a un'altezza adeguata. Premere il pulsante di rilascio dell'imbracatura della cintura (E) per allentare l'imbracatura.



Rimozione del seggiolino per auto Axkid MINIKID 4 PRO dal veicolo

- Aprire la cerniera e la copertura del morsetto per cintura (P). Sbloccare la cintura di sicurezza del veicolo premendo il pulsante rosso sulla fibbia della cintura. Aprire il morsetto per cintura (O) e tirare la cintura di sicurezza del veicolo guidandola attraverso le fessure (D) per rimuoverla dal seggiolino.
- Sbloccare le cinghie inferiori (N) tenendo fermi i connettori con una mano e premendo il pulsante grigio con il pollice. Tenendo il connettore in mano, spingere lentamente per estendere le cinghie inferiori.
- Premere il pulsante per la gamba di supporto (R) e abbassare la gamba di supporto (Q) nella posizione più ritratta.
- Piegare il dispositivo di regolazione dell'angolo di inclinazione (T) in posizione ripiegata. Estrarre Axkid MINIKID 4 PRO dal veicolo.

Consiglio: Bloccare la fibbia dell'imbracatura e tendere l'imbracatura prima di rimuovere il seggiolino dal veicolo. In questo modo si possono utilizzare le bretelle (S) come maniglie per il trasporto, semplificando il sollevamento del seggiolino e la rimozione dal veicolo.

Importante: Non trasportare mai il seggiolino per il poggiatesta (A).

Riciclaggio del seggiolino per auto



Axkid raccomanda vivamente di riciclare i vecchi seggiolini per auto. Prima di conferire il sedile presso la propria stazione di riciclaggio locale, tagliare le cinghie dell'imbracatura dal sedile, rimuovere il rivestimento in tessuto, rimuovere il maggior numero possibile di parti in polistirolo e separare le parti in metallo e plastica, se possibile. La parte principale del sedile deve essere contrassegnata come non sicura o scaduta (utilizzare un pennarello) per dissuadere chiunque dall'utilizzarlo di nuovo. Si prega di consultare le linee guida municipali locali per le istruzioni per il riciclaggio dei vari materiali.

Cura e manutenzione

Il rivestimento in tessuto del seggiolino si può lavare in lavatrice a 30° C con un programma delicato. Non asciugare il rivestimento in asciugatrice, in quanto potrebbe danneggiarsi e l'imbottitura potrebbe staccarsi dal tessuto. Sul sito www.axkid.com sono disponibili video che mostrano le procedure per rimuovere e riposizionare il rivestimento.

Se è necessario sostituire il rivestimento in tessuto del seggiolino, utilizzare esclusivamente prodotti originali Axkid. L'utilizzo di altri prodotti potrebbe compromettere il sistema di sicurezza del seggiolino per auto Axkid, causando gravi lesioni personali in caso di incidente.

Tutte le parti in plastica del seggiolino per auto Axkid possono essere pulite con detergente neutro e acqua. Non utilizzare sostanze chimiche aggressive contenenti solventi o simili, poiché potrebbero danneggiare la plastica e compromettere la sicurezza del seggiolino.

Rimuovere il rivestimento in tessuto:

- Rimuovere il cuscinetto ASIP (H), se montato.
- Tirare il poggiatesta (A) nella posizione più elevata possibile. Allentare l'imbracatura premendo l'apposito pulsante di rilascio (E) ed estrarre contemporaneamente entrambe le bretelle (S).
- Aprire le due cerniere sul lato inferiore del poggiatesta (A) e rimuovere delicatamente il rivestimento.
- Tirare il poggiatesta (A) nella posizione più bassa possibile.
- Sbloccare la fibbia dell'imbracatura premendo l'apposito pulsante di rilascio (C) e rimuovere la copertura della fibbia.
- Aprire la cerniera e la copertura del morsetto per cintura (P), quindi rimuovere la copertura in plastica dal rivestimento in tessuto.
- Aprire i 4 bottoni sul rivestimento in tessuto sul retro del seggiolino.
- Aprire le due cerniere sullo schienale all'interno del seggiolino e rimuovere delicatamente il rivestimento in tessuto dal seggiolino. Operare con attenzione attorno al cuscinetto ASIP e ad altre coperture in plastica per evitare di danneggiare il tessuto. Non tirare con forza eccessiva.
- Aprire gli spillacci e rimuoverli delicatamente dal velcro.

Inserimento del rivestimento in tessuto:

- Per inserire nuovamente il rivestimento in tessuto sul seggiolino, eseguire i passaggi precedenti in ordine inverso.

Nota: Si ricorda che gli spillacci si possono collocare in diverse posizioni. Collocarli in una posizione adatta per il bambino; gli spillacci dovrebbero essere posizionati sulla parte superiore della spalla e sul torace del bambino. Assicurarsi anche che il lato in gomma degli spillacci sia rivolto verso il petto del bambino.

Garanzia

Il seggiolino per auto Axkid è coperto da una garanzia di 24 mesi a partire dalla data di acquisto. Conservare sempre la ricevuta e consegnarla al punto di acquisto in caso di problemi in garanzia.

La garanzia non copre:

- Normale usura.
- Danni dovuti a uso improprio, negligenza o incidente.
- Eventuali riparazioni effettuate da terzi.
- Tutti i materiali utilizzati presentano un'altissima resistenza ai raggi UV. Tuttavia, i raggi UV sono estremamente aggressivi e comportano il graduale scolorimento del rivestimento del seggiolino. Tale scolorimento non è coperto da garanzia, in quanto è considerato normale usura.
- Maneggiare il seggiolino con cura. Non trasportare mai il seggiolino per il poggiatesta (A).

Hartelijk dank voor uw aankoop van Axxkid MINIKID 4 PRO

Lees deze handleiding door voordat u het autostoeltje in uw auto installeert. Ga voor meer informatie en installatievideo's naar www.axkid.com.

De **Axxkid MINIKID 4 PRO** is een achterwaarts gericht autostoeltje dat is goedgekeurd voor kinderen met een lengte tussen 61--125 cm, ≤36 kg

Axxkid MINIKID 4 PRO is geschikt voor gebruik vanaf een leeftijd van ongeveer zes maanden of vanaf het moment dat uw kind zelfstandig kan zitten.

Dit is een integraal specifiek verbeterd kinderbeveiligingssysteem geschikt voor gebruik met de veiligheidsgordels van de auto. Het is goedgekeurd conform ECE R129 voor gebruik op compatibele zitplaatsen, zoals door de fabrikant aangegeven in de handleiding van de auto. Raadpleeg bij twijfel de fabrikant van het verbeterde kinderveiligheidssysteem (www.axkid.com) of de verkoper.

Belangrijke informatie

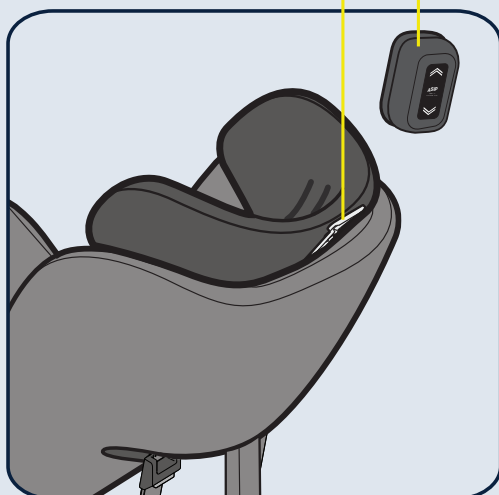
Voor de maximale veiligheid van uw kind, is het belangrijk dat u het volgende in gedachten houdt:

- Volg altijd de instructies in deze handleiding. Verkeerd installeren kan de veiligheid van uw kind ernstig in gevaar brengen. Neem bij twijfel contact op met uw dealer die een correcte installatie kan laten zien.
- Bewaar deze handleiding voor toekomstig gebruik. Als u de handleiding kwijtraakt, kunt u deze online vinden op www.axkid.com
- Gebruik het autostoeltje niet op plaatsen waar een actieve voorairbag is geïnstalleerd. Als u het autostoeltje toch op deze plaats wilt installeren, moet de airbag worden uitgeschakeld volgens de instructies van de autofabrikant.
- Mocht u een ongeluk krijgen, hoe klein ook, moet het autostoeltje altijd vervangen worden. Er kunnen niet-zichtbare beschadigen zijn en die kunnen de veiligheid van uw kind nadelig beïnvloeden. Om deze reden raadt Axxkid het ook af om tweedehands autostoeltjes aan te schaffen.
- Als het autostoeltje wordt blootgesteld aan direct zonlicht, zorg er dan voor dat het autostoeltje niet te heet is voordat u uw kind erin zet.
- Laat uw kind nooit onbeheerd achter in de auto.
- Zorg dat eventuele bagage of losse voorwerpen in de auto worden vastgezet, aangezien ze bij een ongeval verwondingen aan passagiers kunnen veroorzaken.
- Zorg ervoor dat het autostoeltje zo wordt geïnstalleerd dat er geen onderdelen bekneld kunnen raken door verstelbare stoelen, autoportieren enz.
- Als u de onderste tetherriemen gebruikt, zorg er dan voor dat ze zo worden geïnstalleerd dat ze niet in de weg zitten als u de autostoel wilt verzetten.
- Het autostoeltje mag alleen achterwaarts gericht geïnstalleerd worden.
- Zorg er altijd voor dat het harnas correct is aangepast aan het lichaam van uw kind. U kunt het harnas afstellen door de hoofdsteen te verplaatsen.
- Zorg ervoor dat de rug van uw kind tegen het autostoeltje wordt gedrukt wanneer u uw kind vastzet met het harnas.
- Zorg er altijd voor dat het harnas strak tegen uw kind zit en dat de gesp goed dicht zit. Het mag niet mogelijk zijn om de gordels aan te trekken.
- Zorg dat het harnas niet gedraaid zit.
- Zorg er altijd voor dat de steunpoot in de juiste positie staat en contact maakt met de vloer van de auto. De steunpoot is een zeer belangrijke veiligheidsvoorziening die is ontworpen voor maximale veiligheid van uw kind mocht een ongeval plaatsvinden.
- Probeer geen enkel onderdeel van het autostoeltje te demonteren of aan te passen. Dit kan ten koste gaan van de garantie en de veiligheidsprestaties van het autostoeltje.
- Gebruik het autostoeltje nooit zonder de stoffen hoes. De stoffen stoelhoezen maakt deel uit van de veiligheidsvoorzieningen en mag alleen worden vervangen door een originele Axxkid stoelhoezen.
- Lees het autohandboek en kijk op de lijst met auto's op www.axkid.com om te zien welke zitplekken geschikt zijn voor dit autostoeltje.
- Axxkid raadt aan om altijd een stoelbescherming te gebruiken om uw passagiersstoel of achterbank te beschermen tegen krassen en vuil.
- Neem bij twijfel contact op met de winkel waar het autostoeltje is gekocht of neem contact op met info@axkid.com

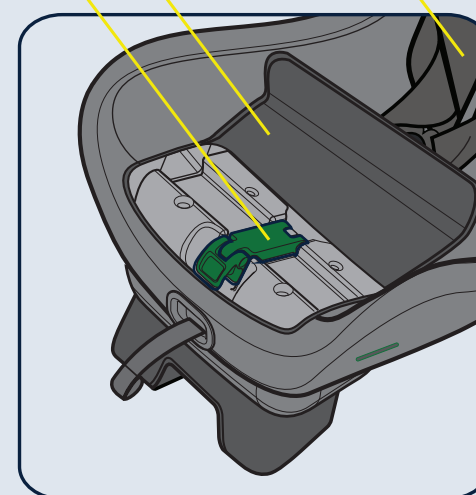
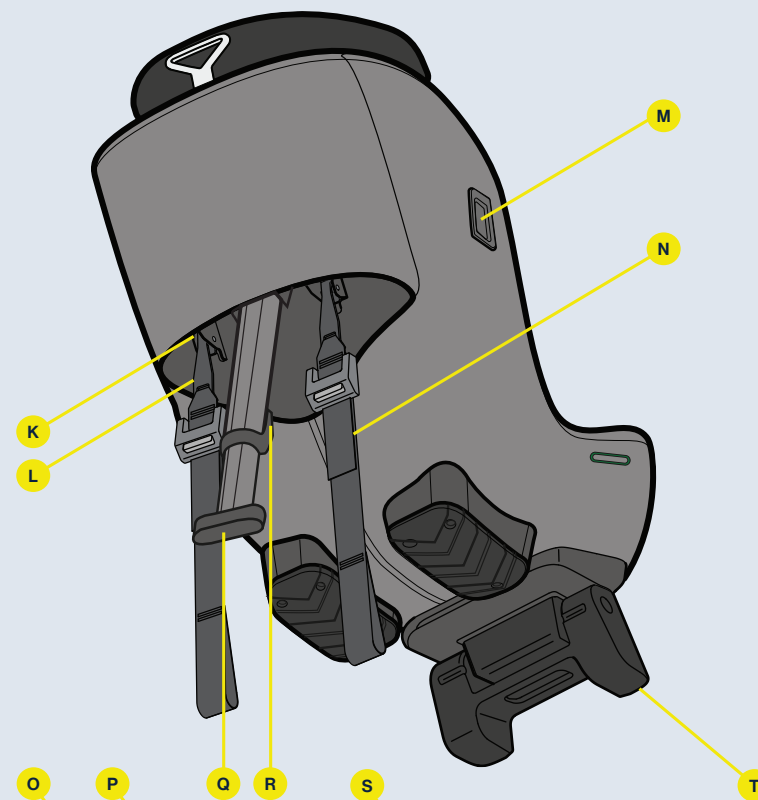
Inhoudsopgave

Onderdelen	64
Toegestane en niet-toegestane plaatsen voor het Axxkid MINIKID 4 PRO autostoeltje	66
Onderste ankerpunten	66
Onderste tetherriemen installeren	67
Axxkid MINIKID 4 PRO autostoeltje in het voertuig installeren	68
Uw kind vastzetten in het Axxkid MINIKID 4 PRO autostoeltje	69
Hoofdsteenverstelling	70
Het Axxkid MINIKID 4 PRO autostoeltje uit het voertuig halen	70
Verzorging en onderhoud	71
Garantie	71

Onderdelen



- A** HOOFDSTEUN
- B** INTEGRAAL HARNAS
- C** ONTGRENDELINGSKNOP GESP
- D** SLEUF VEILIGHEIDSGORDEL
- E** ONTGRENDELINGSKNOP HARNAS
- F** SPANRIEM HARNAS
- G** VERGRENDING HOOFDSTEUN
- H** ASIP PAD
- I** ACHTERSTEUN
- J** VERTICALE GROEF



- K** METALEN CLIP CONNECTOR
- L** METALEN CLIP
- M** ASIP-AANSLUITING
- N** ONDERSTE TETHERRIEM
- O** GORDELKLEM
- P** KLEP GORDELKLEM
- Q** STEUNPoot
- R** KNOP STEUNPoot
- S** SCHOUDERRIEM
- T** VERSTELBARE ZITHOEK



Toegestane en niet-toegestane plaatsen voor het Axxid MINIKID 4 PRO autostoeltje

Het Axxid MINIKID 4 PRO autostoeltje kan alleen achterwaarts gericht worden geïnstalleerd. Het past op de meeste, maar niet alle zitplaatsen. Raadpleeg de handleiding van uw auto voor geschikte zitposities en controleer de lijst met auto's op www.axkid.com

Passagiersstoel (geen actieve airbag)	JA/NEE*
Passagiersstoel (actieve airbag)	NEE
Achterbankzitplaats met 3-punts veiligheidsgordel	JA
Stoel met 2-punts veiligheidsgordel	NEE
Zij- en achterwaarts gerichte stoelen	NEE



BELANGRIJK: Als u uw Axxid MINIKID 4 PRO autostoeltje wilt installeren op een plaats waar een frontale airbag is gemonteerd, moet de airbag gedeactiveerd worden volgens de instructies van uw autofabrikant. Houd er rekening mee dat voor sommige auto's een bezoek aan een erkend servicecentrum nodig is om de airbag uit te schakelen.

* Het Algemeen Verkeersreglement in Spanje stelt in artikel 117 het verbod vast om te rijden met kinderen of personen met een lengte gelijk aan of kleiner dan 135 centimeter op de voorstoelen van het voertuig, zonder uitzonderingen.



Onderste ankerpunten Belangrijke informatie

De onderste tetherankerpunten (LTA) worden gebruikt om de bescherming van kinderen in auto's te verbeteren. Ze zorgen voor een stevige en stabiele installatie voor verlengde achterwaarts gerichte autostoeltjes die aan een gordel zijn bevestigd. Dit verhoogt de veiligheid van uw kind bij alle soorten aanrijdingen, inclusief kantelen en kop-staartbotsingen.

Onderste tethers zijn een beproefde methode die al meer dan 40 jaar op grote schaal wordt gebruikt in de Scandinavische landen. In 2020 is een nieuwe internationale norm voor LTA uitgebracht, ISO13216-4:2020. In deze norm staan de eisen voor onderste tethers voor autostoelen, maar ook die voor autofabrikanten en hun ankerpunten. Het doel is om de compatibiliteit te verbeteren en een veilige en makkelijke manier van installeren voor de toekomst te garanderen.

Axxid MINIKID 4 PRO heeft twee onderste tetherriemen voor installatie in auto's met of zonder lage ankerpunten. De meegeleverde onderste tetherriemen voldoen aan ISO13216-4:2020, wat garant staat voor een perfecte passing en eenvoudige installatie in auto's met vooraf geïnstalleerde onderste ankerpunten die ook aan deze norm voldoen. Als uw voertuig ankerpunten heeft die niet aan de norm voldoen, passen de Axxid MINIKID 4 PRO onderste tetherriemen waarschijnlijk nog steeds, maar dit is niet vanzelfsprekend. Vooraf geïnstalleerde onderste ankerpunten in auto's zijn vaak te vinden op de stoelrails die aan de vloer zijn bevestigd, maar er worden ook andere posities gebruikt. Raadpleeg de handleiding van uw auto voor meer informatie over bruikbare ankerpunten.

Axxid MINIKID 4 PRO wordt geleverd met alles wat u nodig hebt om het autostoeltje in uw voertuig te installeren. Onderste ankerpunten en extra onderste tetherriemen kunnen echter afzonderlijk worden gekocht en maken de installatie sneller en gemakkelijker in meerdere auto's. Sommige autofabrikanten bieden ook de mogelijkheid om achteraf onderste ankerpunten aan te brengen. Neem contact op met uw voertuigfabrikant of dealer voor meer informatie. Axxid retrofit onderste ankerpunten en extra onderste tetherriemen kunnen apart worden gekocht.

Opmerking: Gebruik de Axxid MINIKID 4 PRO nooit zonder de onderste tetherriemen. Ze zijn een belangrijke veiligheidsvoorziening en moeten altijd worden gebruikt wanneer u het autostoeltje installeert.



Onderste tetherriemen installeren

Gebruik altijd twee ankerpunten bij het installeren van Axxid MINIKID 4 PRO en kies ankerpunten die niet bij elkaar liggen, omdat dit een stabielere installatie geeft. Afhankelijk van uw auto en de zitplaats in de auto waar u het autostoeltje wilt installeren, zijn er verschillende mogelijke ankerpunten die u kunt gebruiken. Zie hieronder voor alternatieven.

Onderste tetherriem - verschillende mogelijkheden

- alt. **a** Bevestig de tetherriem rond de stoelrail aan de voorzijde van het autostoeltje door de riem tussen de stoelrail en de autovloer of door het juiste gat in de stoelrail te steken.
- alt. **b** Bevestig de tetherriem rond het scharnier van de bestuurders- of de passagiersstoel die voor het autostoeltje staat door de riem tussen de rugleuning en het zitkussen van de stoel te halen.
- alt. **c** Bevestig de tetherriem rond de stoelrail onder het zitje door de tetherriem tussen de stoelrail en de autovloer of door het juiste gat in de stoelrail te steken.
- alt. **d** Installeer de onderste tetherriem op een geschikt ankerpunt aan de achterkant van het voertuig en leid de tetherriem onder de voertuigstoel door naar de voorkant van het voertuig. Zorg dat de onderste tetherriemen onder de voorkant van de stoel uitkomen en niet aan de zijkanten.
- alt. **e** Bij het installeren van de Axxid MINIKID 4 PRO op de passagiersstoel voorin, moet de tetherriem rond het dichtstbijzijnde geschikte ankerpunt worden gedraaid, zodat de riemen volledig kunnen worden aangespannen. U kunt ankerpunten gebruiken die verder naar achteren zijn geplaatst, en indien nodig kan de tetherriem een andere tetherriem kruisen of zelfs worden gelust.

Opmerking: Zorg er bij verzetten van een autostoel altijd voor dat deze niet contact komt met de geïnstalleerde onderste tetherriemen of deze beschadigt.

Opmerking: Gebruik nooit scherpe voorwerpen als hulpmiddel om loop van de riemen te installeren, aangezien dit de riem zou kunnen beschadigen.



LTA Wanneer bij het installeren van de Axxid MINIKID 4 PRO onderste tetherankerpunten (lower tether anchorages LTA) worden gebruikt, kan de onderste tetherriem (N) rond de metalen clipconnector (K) worden gelust en moet de metalen clip (L) worden aangesloten op het onderste tetherankerpunt.



Axkid MINIKID 4 PRO autostoeltje in het voertuig installeren

Voordat u Axkid MINIKID 4 PRO installeert, moet u zorgen dat de onderste tetherriemen of onderste ankerpunten in uw voertuig aanwezig zijn. Zie het gedeelte over **onderste tetherankerpunten** en het **installeren van onderste tetherriemen** in deze handleiding voor meer informatie en installatie-instructies.

1 Rits de rits open en open de klep van de gordelklem (P).

2 Plaats de Axkid MINIKID 4 PRO op de autostoel met de achterkant van het autostoeltje naar de voorkant van het voertuig gericht. Pas de beenruimte voor uw kind aan door het autostoeltje gewoon heen en weer te bewegen op de autostoel. De Axkid MINIKID 4 PRO kan strak tegen de rugleuning van de autostoel worden gemonteerd, maar mag nooit zo worden geïnstalleerd dat de achtersteun (I) over de rand van de autostoel hangt. Zorg dat de verticale groef (J) in de achtersteun (I) nooit over de rand van de autostoel komt.

Pas de hoek van het autostoeltje aan door op de hendel voor kantelverstelling (T) te drukken en een geschikte zitpositie te kiezen. Kies voor maximale veiligheid een zo rechtop mogelijke houding maar let er tegelijkertijd op dat het hoofd van uw kind niet naar voren valt tijdens het slapen. Om zowel comfort- als veiligheidsredenen moet de zithoek steeds rechter worden naarmate uw kind groeit. Houd er rekening mee dat het autostoeltje, wanneer de onderste tetherriemen (N) worden aangespannen, iets meer achterover gaat leunen omdat het wegzakt in het zitkussen van de auto. Bij montage van de Axkid MINIKID 4 PRO in een voor-passagiersstoel is het mogelijk, maar niet noodzakelijk, dat de achterkant van het autostoeltje contact maakt met het dashboard.

3 Open de gordelklem (O). Trek de veiligheidsgordel een armlengte uit en haal deze door de veiligheidsgordelsleuf (D) die zich het dichtst bij u bevindt. Leid de veiligheidsgordel door de gordelsleuf (O) en steek hem door de gordelsleuf (D) aan de andere kant. Zet de veiligheidsgordel vast met de gordelgesp en trek hard aan het schoudergedeelte van de gordel om alle speling te verwijderen en het autostoeltje vast te zetten. Hoe harder u trekt, hoe steviger het stoeltje vastzit. Voor een nog stevigere en stabilere installatie drukt u het autostoeltje omlaag terwijl u aan de schoudergordel trekt. Wanneer het autostoeltje stevig vastzit, sluit u de gordelklem (O) en vergrendelt u de veiligheidsgordel op zijn plaats. Zorg ervoor dat zowel de schouder- als de heupgordel samen vast zitten in de gordelklem (O). Sluit de klep van de gordelklem (P) en doe de rits dicht.

4 Bevestig de metalen clips (L) aan de metalen clipconnectoren (K) aan elke kant van het autostoeltje (of sluit de metalen clips (L) aan op de ankerpunten in uw voertuig als voor de installatie bevestigingspunten met onderste ankerpunten worden gebruikt. Zie de sectie **Installeren van onderste tetherriemen** in deze handleiding voor meer informatie). Druk de bovenkant van het autostoeltje omlaag terwijl u de onderste tetherriemen (N) aanspant. Door de onderste tetherriemen (N) aan te spannen, stelt u ook de uiteindelijke zithoek van het autostoeltje in. Blijf op het autostoeltje duwen en trekken totdat het stevig vastzit en u een geschikte zithoek hebt.

5 Trek de steunpoot (Q) uit het autostoeltje. Druk op de steunpootknop (R) en trek de steunpoot (Q) naar beneden totdat deze contact maakt met de vloer van de auto. Laat de steunpootknop (R) los en til het autostoeltje omhoog om de steunpoot (Q) verder uit te schuiven totdat u een klik hoort. De steunpoot (Q) moet nu worden vergrendeld en stevig tegen de autovloer worden gedrukt. Zorg dat de steunpoot (Q) onder een hoek van ongeveer 10° naar de voorkant van het voertuig staat. Controleer de autogordel nogmaals om er zeker van te zijn dat deze nog steeds strak gespannen is en dat er geen speling is gekomen in de heupgordel tijdens het spannen van de onderste tetherriemen en de steunpoot. Als de veiligheidsgordel wat spanning heeft verloren, kunt u deze eenvoudig opnieuw spannen door stap 2 van deze handleiding te herhalen zonder de onderste tetherriemen los te maken.

6 Duw de ASIP-pad (H) in de sleuven op de ASIP-aansluiting (M) en schuif de pad naar beneden, de ASIP-pad (H) klikt op zijn plaats. Als er een plastic afdekking op de ASIP-aansluiting (M) zit, moet u deze verwijderen en op de ASIP-aansluiting (M) aan de andere kant van de stoel plaatsen voordat u de ASIP-pad (H) monteert. Zorg dat de ASIP-pad (H) is bevestigd aan de kant van het Axkid MINIKID 4 PRO autostoeltje die het dichtste bij het portier zit.



Uw kind vastzetten in het Axkid MINIKID 4 PRO autostoeltje

Voordat u uw kind vastzet in het Axkid MINIKID 4 PRO autostoeltje, moet u ervoor zorgen dat de juiste inleg in het stoeltje zit. De Axkid MINIKID 4 PRO is ontworpen om met uw kind mee te groeien en een comfortabele en veilige pasvorm voor de kinderen te bieden. Axkid raadt aan om de inleg te gebruiken totdat het te strak voor uw kind is geworden, maar tot een minimale lengte volgens onderstaande tabel (let op: de leeftijd is slechts een indicatie):

Leeftijd	Lengte	
Kleuter 0-3 jaar	61 – 105 cm	
Kind 3-7 jaar	106 – 125 cm	

De Axkid MINIKID 4 PRO is voorzien van een verstelbare hoofdsteun (A). Zie de sectie **hoofdsteunverstelling** voor meer informatie.

7 Stel de hoofdsteun (A) in op een geschatte positie voor uw kind.

8 Maak het harnas los door op de ontgrendelknop van het harnas (E) te drukken en trek beide schouderbanden (S) tegelijkertijd naar buiten. Trek niet slechts aan één riem, omdat de schouderbanden (B) hierdoor ongelijk kunnen worden.

9 Ontgrendel de harnasgesp door op de ontgrendelingsknop van de gesp (C) te drukken en leg de riemen buiten de stoel.

10 Plaats uw kind in het zitje en leg de schouderbanden (S) over de schouders van uw kind. Trek aan de vergrendeling van de hoofdsteun (G) om de hoofdsteun te ontgrendelen en ontgrendeld te houden. Duw/trek de hoofdsteun (A) omhoog/omlaag tot een positie waar de schouderbanden zich maximaal 1 cm boven de schouders van het kind bevinden. Vergrendel het harnas door eerst de delen van de gesp die aan de schouderbanden (S) zijn bevestigd bij elkaar te plaatsen en ze vervolgens in de gesp te duwen totdat u een klik hoort.

11 Trek aan de schouderbanden (S) om het harnas over de heupen van uw kind te spannen. Terwijl u de schouderbanden (S) op spanning houdt, trekt u de spanband van het harnas (F) recht uit het autostoeltje totdat het harnas voldoende strak zit. Er mag niet meer dan één vinger tussen de schouderbanden (S) en de schouders van uw kind passen.



Hoofdsteunverstelling

De Axxkid MINIKID 4 PRO is voorzien van een verstelbare hoofdsteun (A).

Zorg er altijd voor dat de hoofdsteun op de juiste hoogte voor uw kind is geplaatst wanneer u uw Axxkid MINIKID 4 PRO autostoeltje gebruikt. Controleer of de schouderbanden (S) recht vanaf de schouders van uw kind door het zitje gaan of maximaal 1 cm erboven. Zo niet, stel dan de hoofdsteun (A) dienovereenkomstig in.

Opmerking: De spanning van het harnas moet worden verlaagd wanneer de hoofdsteun niet tot een geschikte hoogte kan worden opgetrokken. Druk op de ontgrendelingsknop van het gordelharnas (E) om het harnas los te maken.



Axxkid MINIKID 4 PRO autostoeltje uit de auto halen

- Rits de rits open en open de klep van de gordelklem (P). Ontgrendel de veiligheidsgordel door op de rode knop van de gesp te drukken. Open de gordelklem (O), trek aan de autogordel en leid deze door de gordelsleuven (D) om ze los te halen van het autostoeltje.
- Ontgrendel de onderste tetherriemen (N) door de aansluitingen met uw hand vast te houden en met uw duim op de rode knop te drukken. Terwijl u de aansluiting in uw hand houdt, duwt u langzaam om de onderste tetherriemen te verlengen.
- Druk op de steunpootknop (R) en klap de steunpoot (Q) in tot de kortste stand.
- Vouw de kanteelhoekverstelling (T) naar de gevouwen positie. Til de Axxkid MINIKID 4 PRO uit de auto.

Tip: Vergrendel de gesp van het harnas en span het harnas voordat u het autostoeltje uit de auto verwijdert. U kunt dan de schouderbanden (S) gebruiken als draagbeugel, waardoor u het autostoeltje makkelijker kunt optillen en buiten de auto kunt meenemen.

Belangrijk: Draag het autostoeltje nooit aan de hoofdsteun (A).

Uw autostoeltje recycleren



Axxkid raadt ten eerste aan om oude autostoeltjes te recycleren. Voordat u het stoeltje bij uw plaatselijke recyclingstation inlevert, knipt u de harnasriemen van de stoel af, verwijdert u de stoffen hoes en zoveel mogelijk piepschuimonderdelen en scheidt u indien mogelijk metalen en plastic onderdelen. Het grootste deel van het stoeltje moet als onveilig of verlopen worden gemarkeerd (gebruik een markeerstift) om te voorkomen dat iemand het opnieuw gebruikt. Raadpleeg uw plaatselijke gemeentelijke richtlijnen voor recyclinginstructies voor de verschillende materialen.

Verzorging en onderhoud

De stoffen hoes van de stoel kan in de machine gewassen worden op 30°C op een zacht wasprogramma. Stop de hoes niet in de droger, omdat dit de hoes kan beschadigen en de vulling kan loskomen van de stof. Bezoek www.axxkid.com voor video's waarin u kunt zien hoe u de hoes verwijdert en bevestigt.

Als de stoffen hoes moet worden vervangen, zorg er dan voor dat alleen originele producten van Axxkid worden gebruikt. Als andere producten worden gebruikt, kan dit ervoor zorgen dat het veiligheidssysteem van de Axxkid MINIKID 4 PRO niet naar behoren kan functioneren en dit kan leiden tot ernstig letsel bij een ongeval. Alle kunststof onderdelen van het Axxkid autostoeltje kunnen worden gereinigd met een mild schoonmaakmiddel en water. Gebruik geen agressieve chemicaliën die oplosmiddelen of iets dergelijks bevatten, omdat dit het plastic kan beschadigen en de veiligheid van het autostoeltje in gevaar kan brengen.

Verwijderen van de stoffen hoes:

- Als er een ASIP-pad (H) zit, moet u deze verwijderen.
- Trek de hoofdsteun (A) naar de bovenste positie. Maak het harnas los door op de ontgrendelknop van het harnas (E) te drukken en trek beide schouderbanden (S) tegelijkertijd naar buiten.
- Rits de twee ritsen aan de onderkant van de hoofdsteun (A) los en trek de hoes voorzichtig van de hoofdsteun (A).
- Verlaag de hoofdsteun (A) naar de onderste positie.
- Ontgrendel de gesp van het harnas door op de ontgrendelingsknop (C) te drukken en verwijder de gespafdekking.
- Rits de rits open en open de klep van de gordelklem (P) en verwijder de plastic klep van de stoffen hoes.
- Open de 4 knopen op de stoffen hoes aan de achterkant van het autostoeltje.
- Rits de twee ritsen bij de rugleuning aan de binnenkant van het autostoeltje los en haal voorzichtig de stoffen hoes van het stoeltje. Wees voorzichtig rond de ASIP-pad en andere plastic hoezen om het textiel niet te beschadigen. Trek niet te hard.
- Open de schouderpads en haal ze voorzichtig van het klittenband.

De stoffen hoes plaatsen:

- Voer de bovenstaande stappen in omgekeerde volgorde uit om de stoffen hoes weer op het autostoeltje aan te brengen.

Opmerking: De schouderpads kunnen op verschillende posities worden geïnstalleerd. Installeer ze in een positie die geschikt is voor uw kind, de schouderpads moeten bovenop de schouder en op de borst van uw kind komen. Zorg er ook voor dat de rubberen kant van de schouderpad naar de borst van uw kind is gericht.

Garantie

Het Axxkid autostoeltje heeft een garantie van 24 maanden vanaf de aankoopdatum. Zorg dat u uw kassabon bewaart en meeneemt naar de plaats van aankoop als u garantieproblemen heeft.

De garantie dekt niet:

- Normale slijtage.
- Schade door onjuist gebruik, verwaarlozing of een ongeval.
- Als reparaties zijn uitgevoerd door een derde partij.
- Alle gebruikte materialen hebben een zeer hoge UV-bestendigheid. UV-licht is echter zeer agressief en zal uiteindelijk leiden tot verbleking van de stoelbekleding. Dit valt niet onder onze garantie omdat het als normale slijtage wordt beschouwd.
- Hanteer de stoel met zorg. Draag het stoeltje nooit aan de hoofdsteun (A).

Dziękujemy za wybór produktu Axxkid MINIKID 4 PRO

Przed zainstalowaniem fotelika samochodowego w pojeździe należy przeczytać niniejszą instrukcję obsługi. Więcej informacji oraz materiały wideo wspomagające instalację znajdziesz na naszej stronie internetowej: www.axkid.com.

Axxkid MINIKID 4 PRO to instalowany tyłem do kierunku jazdy fotelik samochodowy dla dzieci o wzroście 61-125 cm, ≤36 kg

Axxkid MINIKID 4 PRO można używać od mniej więcej szóstego miesiąca życia, bądź od momentu, w którym dziecko potrafi już siedzieć bez podparcia.

Produkt stanowi zintegrowane, montowane za pomocą pasa bezpieczeństwa i przeznaczone do stosowania na pokładzie pojazdów silnikowych „ulepszone urządzenie przytrzymujące dla dzieci”. Został dopuszczony do sprzedaży zgodnie z Regulaminem ONZ nr 129, do użytku na właściwych siedzeniach w pojeździe, zgodnie ze wskazaniem w wykazie pojazdów. Wszelkie wątpliwości konsultuj z producentem urządzenia przytrzymującego dla dzieci (www.axkid.com) bądź z detalistą, u którego dokonano zakupu.

Ważna informacja

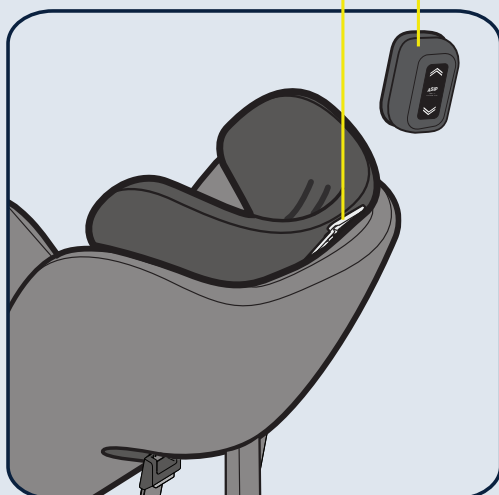
Z myślą o zmaksymalizowaniu bezpieczeństwa dziecka koniecznie pamiętaj o następujących kwestiach:

- Należy zawsze przestrzegać wskazówek zawartych w niniejszej instrukcji. Nieprawidłowy montaż mógłby poważnie zagrazać bezpieczeństwu Twojego dziecka. W razie wątpliwości skontaktuj się ze sprzedawcą — on zademonstruje ci poprawny sposób zainstalowania fotelika.
- Zachować tę instrukcję do wykorzystania w przyszłości. W razie utraty instrukcji znajdziesz ją na stronie www.axkid.com
- Nie należy używać fotelika na miejscu pasażera, w którym zainstalowana jest aktywna poduszka powietrzna. Jeśli nadal chcesz zainstalować fotelik samochodowy w tym miejscu, należy wyłączyć poduszkę powietrzną zgodnie z instrukcją producenta pojazdu.
- W razie wypadku, nawet niegroźnej kolizji, fotelik samochodowy należy zawsze wymienić. W takiej sytuacji fotelik mógłby ulec niezauważalnemu uszkodzeniu, które jednak poważnie zagrażałoby bezpieczeństwu Twojego dziecka. Z tego względu firma Axxkid nie zaleca kupowania używanych fotelików samochodowych.
- Gdyby fotelik został przed użyciem bezpośrednio nasłoneczniony, przed zapięciem w nim dziecka upewnij się, że nie jest nadmiernie rozgrzany.
- Pod żadnym pozorem nie zostawiaj dziecka bez opieki w pojeździe.
- Upewnij się, że bagaż bądź luźne przedmioty są w pojeździe zabezpieczone, jako że w razie wypadku mogłyby one spowodować u pasażerów obrażenia.
- Upewnij się, że fotelik samochodowy jest zamontowany w taki sposób, by żadne części nie zostały zablokowane przez ruchome siedzenia, drzwi samochodu itp.
- Jeżeli korzystasz z pasów kotwiczących, upewnij się, że nie kolidują one z ruchem żadnego z siedzeń.
- Fotelik samochodowy może być montowany tylko tyłem do kierunku jazdy.
- Zawsze upewnij się, że uprząż jest odpowiednio dopasowana do ciała dziecka. Uprząż reguluje się poprzez ustawianie zagłówka.
- Przy zapinaniu dziecka uprząż upewnij się, że plecy dziecka przylegają do oparcia fotelika.
- Zawsze upewnij się, że uprząż jest ciasno zapięta na dziecku i że sprzączka jest całkowicie zablokowana — nie powinno być możliwe „uszczypnięcie” żadnego z pasów.
- Upewnij się, że uprząż nie są skręcona.
- Zawsze upewnij się, że nóżka podpierająca znajduje się we właściwej pozycji i styka się z podłogą pojazdu. Nóżka podpierająca jest niezmiernie istotnym elementem ochronnym, zaprojektowanym tak, by zmaksymalizować poziom bezpieczeństwa dziecka w razie wypadku.
- Nie podejmuj żadnych prób rozmontowania bądź zmodyfikowania którejkolwiek z części fotelika. W takim wypadku gwarancja udzielona na fotelik oraz jego właściwości zapewnienia bezpieczeństwa mogą stracić ważność.
- Nigdy nie używaj fotelika samochodowego bez pokrowca tekstylnego. Materiałowy pokrowiec fotelika jest elementem ochronnym i jako taki może być wymieniany tylko na oryginalny materiałowy pokrowiec fotelika Axxkid.
- Zapoznaj się z instrukcją obsługi pojazdu i listą pojazdów na stronie www.axkid.com, aby dowiedzieć się, które miejsca siedzące są odpowiednie dla tego fotelika samochodowego.
- Axxkid zaleca zawsze stosować pokrowiec na fotel, tak żeby chronić siedzenie pojazdu przed porysowaniem i zabrudzeniem.
- W razie jakichkolwiek wątpliwości skontaktuj się z detalistą, od którego zakupiono fotelik, albo napisz na adres info@axkid.com.

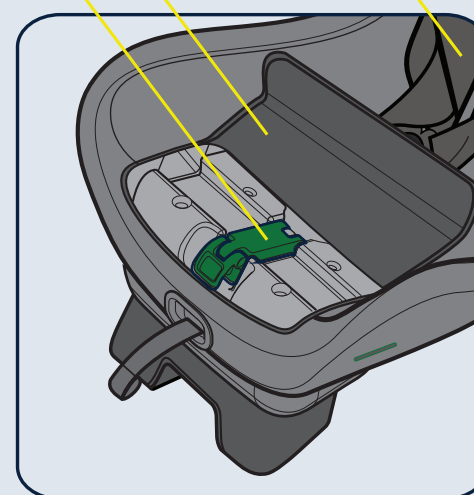
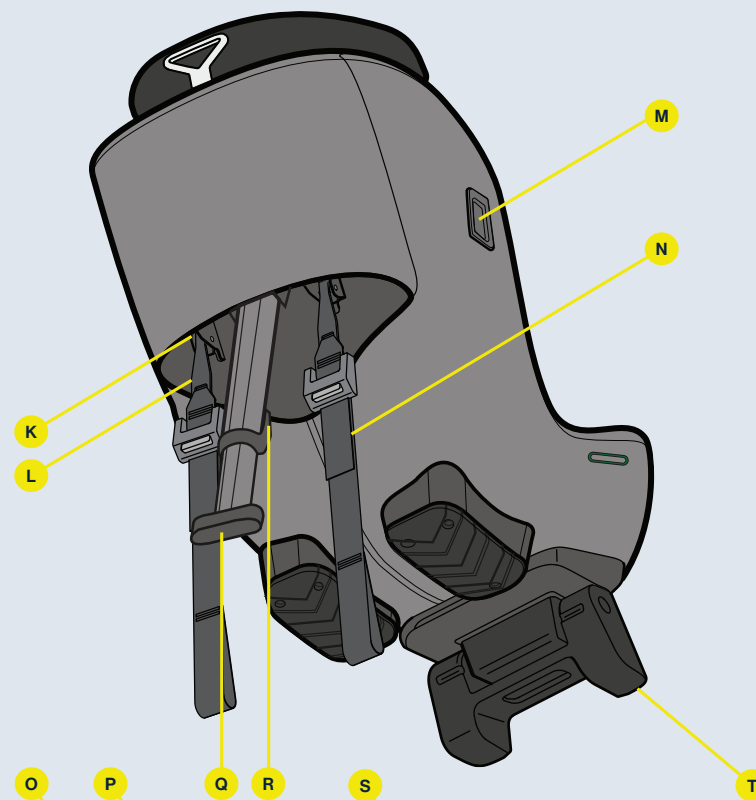
Spis treści

Części	74
Dozwolone i niedozwolone umiejscowienie fotelika samochodowego Axxkid MINIKID 4 PRO	76
Mocowania pasów kotwiczących	76
Instalacja dolnych pasów kotwiczących	77
Instalowanie fotelika samochodowego Axxkid MINIKID 4 PRO w pojeździe	78
Zapinanie dziecka w foteliku samochodowym Axxkid MINIKID 4 PRO	79
Regulowanie zagłówka	80
Demontowanie fotelika samochodowego Axxkid MINIKID 4 PRO z pojazdu	80
Pielęgnacja i konserwacja	81
Gwarancja	81

Części



- A** ZAGŁÓWEK
- B** ZINTEGROWANA UPRZAŻ
- C** PRZYCISK ZWALNIAJĄCY SPRZĄCZKĘ
- D** OTWÓR PASA BEZPIECZEŃSTWA
- E** PRZYCISK ZWALNIAJĄCY UPRZAŻ
- F** PASEK ZACIĄGAJĄCY UPRZAŻ
- G** DŹWIGNIA BLOKADY ZAGŁÓWKA
- H** OSŁONA ASIP
- I** WSPORNIK PODSTAWY
- J** LINIA PIONOWA



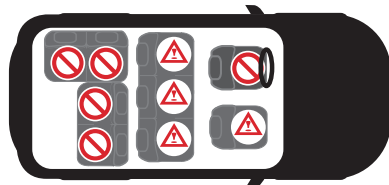
- K** METALOWY ZACZEP
- L** METALOWY KLIPS
- M** ZŁĄCZE ASIP
- N** ZŁĄCZE PASA KOTWICZĄCEGO
- O** ZACISK PASA
- P** OSŁONA ZACISKU PASA
- Q** NÓŻKA PODPIERAJĄCA
- R** PRZYCISK NÓŻKI PODPIERAJĄCEJ
- S** PAS BARKOWY
- T** REGULATOR KĄTA POCHYLENIA



Dozwolone i niedozwolone umiejscowienie fotelika samochodowego Axkid MINIKID 4 PRO

Fotelik Axkid MINIKID 4 PRO może być instalowany tylko tyłem do kierunku jazdy naprzód. Pasuje on do większości siedzeń — ale nie do wszystkich. Właściwe pozycje siedzeń sprawdź w podręczniku do posiadanego pojazdu; wykaz pojazdów zob. na stronie www.axkid.com

Przedni fotel pasażera (bez aktywnej poduszki powietrznej)	TAK / NIE
Przedni fotel pasażera (z aktywną poduszką powietrzną)	NIE
Tyłne siedzenie pasażera z 3-punktowym pasem bezpieczeństwa	TAK
Fotel z 2-punktowym pasem bezpieczeństwa	NIE
Siedzenia skierowane do tyłu i na bok	NIE



WAŻNE: W razie potrzeby zainstalowania fotelika Axkid MINIKID 4 PRO w miejscu, gdzie działa czołowa poduszka powietrzna, konieczne jest wyłączenie tej poduszki powietrznej w sposób zgodny z instrukcjami producenta pojazdu. Miej na uwadze, że w niektórych pojazdach odłączenie poduszki powietrznej może się odbyć tylko w autoryzowanym serwisie.

* Na przykład w Hiszpanii obowiązujące ogólne rozporządzenie w sprawie ruchu drogowego (artykuł 117) zabrania jazdy z dziećmi, które mierzą do 135 centymetrów wzrostu, posadzonymi na przednich fotelach pojazdu — bez żadnych wyjątków.



Mocowania pasów kotwiczących Ważna informacja

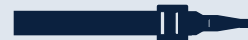
Pasy kotwiczące służą poprawie bezpieczeństwa przewożonych samochodem dzieci, umożliwiając solidne i stabilne instalowanie mocowanych pasami bezpieczeństwa fotelików tyłem do kierunku jazdy. To zwiększa bezpieczeństwo dziecka w sytuacjach wszelkiego rodzaju kolizji, włącznie z dachowaniem oraz uderzeniami od tyłu.

Wykorzystanie pasów kotwiczących jest sprawdzoną metodą, pozostającą w użyciu w krajach skandynawskich od ponad 40 lat. W 2020 roku opublikowana została nowa międzynarodowa norma dla pasów kotwiczących: ISO 13216-4:2020. Norma ta ustanawia wymogi dotyczące zaczepów dolnych do fotelików oraz miejsc ich mocowania — także względem samych producentów pojazdów. Zadaniem dokumentu jest polepszenie zgodności i zadbanie o bezpieczny i prosty montaż fotelików w przyszłości.

Axkid MINIKID 4 PRO posiada dwa dolne pasy kotwiczące do montażu w samochodach z lub bez dolnych pasów kotwiczących. Dołączone dolne pasy kotwiczące są zgodne z normą ISO 13216-4:2020, aby zapewnić idealne dopasowanie i łatwą instalację w pojazdach z fabrycznie zainstalowanymi dolnymi pasami mocującymi, które również są zgodne z tą normą. Nawet jeśli punkty mocowania w Twoim pojeździe nie spełniają wymagań tej normy, to pasy kotwiczące fotelika Axkid MINIKID 4 PRO powinny pasować — aczkolwiek nie jest to zagwarantowane. Mocowania zaczepów dolnych instalowane w pojazdach fabrycznie występują często na przytwierdzonych do podłogi szynach siedzeń, aczkolwiek spotyka się też inne rozmieszczenie. Więcej informacji o możliwych do wykorzystania punktach mocowania znajdziesz w podręczniku do swojego pojazdu.

Axkid MINIKID 4 PRO posiada wszystko, czego potrzebujesz, aby zainstalować fotelik samochodowy w pojeździe. Jednak dolne punkty mocowania pasów i dodatkowe dolne pasy kotwiczące można zakupić oddzielnie, co przyspieszy i ułatwi instalację w wielu samochodach. Niektórzy producenci pojazdów oferują też możliwość zainstalowania mocowań zaczepów dolnych w ramach unowocześnienia. Więcej informacji udzieli Ci producent pojazdu bądź dealer. Mocowania zaczepów dolnych Axkid i dodatkowe dolne pasy mocujące sprzedawane są osobno.

Uwaga: Nigdy nie używaj fotelika Axkid MINIKID 4 PRO bez pasów kotwiczących. Stanowią one ważny element ochronny i zainstalowanie fotelika w każdym przypadku wymaga ich użycia.



Instalacja dolnych pasów kotwiczących

Instalując fotelik Axkid MINIKID 4 PRO, zawsze wykorzystuj dwa punkty mocowania — i wybieraj osobne punkty mocowania, ponieważ to się przekłada na stabilniejszy montaż. W zależności od pojazdu i pozycji siedzenia, w której zdecydujesz się zainstalować fotelik samochodowy, istnieją różne możliwe punkty mocowania. Warianty zobacz poniżej.

Opcje poprowadzenia pasa kotwiczącego

- war. **a** Zainstaluj pas mocujący wokół szyny fotelika przed fotelikiem samochodowym, przewlekając go między szyną fotelika a podłogą pojazdu lub przez odpowiedni otwór w szynie fotelika.
- war. **b** Zainstaluj pas wokół zawiasu siedzenia pojazdu przed fotelikiem samochodowym, przewlekając pas między oparciem siedzenia pojazdu a poduszką siedzenia.
- war. **c** Zainstaluj pas wokół szyny fotelika poniżej fotelika samochodowego, przewlekając pas między szyną fotelika a podłogą pojazdu lub przez odpowiedni otwór w szynie fotelika.
- war. **d** Zamontuj dolny pas kotwiczący do odpowiedniego punktu mocowania z tyłu pojazdu i poprowadź go pod siedzeniem pojazdu do przodu pojazdu. Upewnij się, że dolny pas kotwiczący wychodzi z przodu fotelika, a nie z boków.
- war. **e** Podczas montażu fotelika Axkid MINIKID 4 PRO na przednim siedzeniu pasażera, pas należy owinąć wokół najbliższego odpowiedniego punktu mocowania, który pozwoli na całkowite napięcie pasów. Można użyć punktów kotwiczących ustawionych bardziej z tyłu, a w razie potrzeby uprząż można skrzyżować, a nawet zapętlić razem z inną uprzążą.

Uwaga: Należy zawsze upewnić się, że zmiana pozycji dowolnego fotelika samochodowego nie zakłóci ani nie uszkodzi zainstalowanych dolnych pasów kotwiczących.

Uwaga: Nigdy nie używaj ostrych przedmiotów do prowadzenia pasów, ponieważ może to spowodować ich uszkodzenie.



Dolne pasy kotwiczące LTA W przypadku montażu fotelika Axkid MINIKID 4 PRO przy użyciu dolnych pasów kotwiczących (LTA), dolny pas kotwiczący (N) można owinąć wokół metalowego zaczepu (K), a metalowy klips (L) należy połączyć z dolnym pasem kotwiczącym.



Instalowanie fotelika samochodowego Axkid MINIKID 4 PRO w pojeździe

Przed przystąpieniem do instalowania fotelika Axkid MINIKID 4 PRO należy upewnić się, że w pojeździe zamontowano dolne pasy kotwiczące lub dolne punkty mocowania pasów. Więcej informacji i instrukcje montażu znajdują się w części **Mocowania pasów kotwiczących i Instalacja dolnych pasów kotwiczących** w niniejszej instrukcji.

1 Rozepnij suwak i otwórz osłonę zacisku pasa (P).

2 Umieść fotelik Axkid MINIKID 4 PRO na siedzeniu pojazdu, tyłem do kierunku jazdy. Zapewnij dziecku miejsce na nogi, po prostu odsuwając fotelik na odpowiednią odległość od oparcia siedzenia pojazdu. Fotelik Axkid MINIKID 4 PRO można zainstalować całkowicie dosunięty do oparcia siedzenia pojazdu — ale pod żadnym pozorem nie wolno instalować fotelika z wspornikiem podstawy (I) przewieszonym przez brzeg siedzenia pojazdu. Pilnuj, żeby pionowa linia (J) na wsporniku podstawy (I) nigdy nie przecinała brzegu siedzenia pojazdu.

Wyreguluj kąt fotelika samochodowego, wybierając odpowiednią pozycję odchylenia za pomocą regulatora kąta pochylecia (T). Dla maksymalnego bezpieczeństwa wybierz pozycję możliwie wyprostowaną, a przy tym zapewniającą, że śpiącemu dziecku głowa nie będzie opadać naprzód. Ze względów zarówno komfortu, jak i bezpieczeństwa, w miarę wzrostu dziecka kąt pochylecia należy stopniowo prostować. Miej na uwadze, że naciąg mocowań pasów kotwiczących (N) wiąże się z nieznacznym pogłębieniem pochylecia, jako że fotelik wciska się wtedy w poduszkę siedzenia pojazdu. Fotelik Axkid MINIKID 4 PRO instalowany na przednim fotelu pasażera może — ale nie musi — stykać się tyłem z deską rozdzielczą.

3 Rozepnij zacisk pasa (O). Wyciągnij pas bezpieczeństwa pojazdu na długość ramienia i przewlec go przez ten z otworów pasa bezpieczeństwa (D), który znajduje się najbliżej Ciebie. Poprowadź pas przez zacisk pasa (O) i dalej przez otwór pasa bezpieczeństwa (D) po przeciwległej stronie. Wepnij pas bezpieczeństwa pojazdu w sprzączkę pasa bezpieczeństwa, po czym mocno pociągnij za barkowy odcinek pasa bezpieczeństwa pojazdu, tak aby wyeliminować wszelki luz i unieruchomić fotelik — im mocniej pociągniesz, tym fotelik będzie zainstalowany solidniej. Aby zapewnić jeszcze bardziej pewny i stabilny montaż, dociśnij fotelik samochodowy, ciągnąc za pas pojazdu. Po solidnym zamocowaniu fotelika zamknij zacisk pasa (O) i tym samym zablokuj pas bezpieczeństwa pojazdu. Upewnij się, że w zacisku pasa (O) zablokowane zostają odcinki zarówno barkowy, jak i biodrowy pasa bezpieczeństwa. Zamknij osłonę zacisku pasa (P) i zapnij suwak.

4 Przymocuj metalowe klipsy (L) do metalowych złączy zaczepów (K) po każdej stronie fotelika dziecięcego (lub podłącz metalowe klipsy (L) do mocowań w pojeździe, jeśli do instalacji używane są mocowania dolnego pasa kotwiczącego. W celu uzyskania dodatkowych informacji zobacz część **Instalacja dolnych pasów kotwiczących** w niniejszej instrukcji obsługi. Naciśnij górną część fotelika samochodowego, napinając dolne pasy (N). Ponadto napinając mocowania pasów kotwiczących (N), ustala się ostateczny kąt pochylecia fotelika. Dociskaj fotelik samochodowy, aż zostanie mocno zamocowany i uzyskasz odpowiedni kąt odchylenia.

5 Wyciągnij z fotelika nóżkę podpierającą (Q). Wcisnąc przycisk nóżki podpierającej (R), wyciągaj w dół nóżkę podpierającą (Q), aż zetknie się ona z podłogą pojazdu. Puść przycisk nóżki podpierającej (R), po czym unieś fotelik, aby nóżka podpierająca (Q) jeszcze się wyciągnęła, aż do słyszalnego zatrzaśnięcia. Nóżka podpierająca (Q) powinna być w tym momencie unieruchomiona i mocno dociśnięta do podłogi pojazdu. Upewnij się, że nóżka podpierająca (Q) jest przechylona o kąt około 10° w kierunku przodu samochodu. Jeszcze raz sprawdź pas bezpieczeństwa pojazdu, aby się upewnić, że w dalszym ciągu jest solidnie naciągnięty i że podczas napinania zaczepów dolnych i nóżki podpierającej w odcinku biodrowym pasa nie powstał luz. Gdyby pas pojazdu częściowo stracił naciąg, po prostu naciągnij go od nowa, powtarzając krok 2 tej procedury, bez odpinania przy tym zaczepów dolnych.

6 Umieść osłonę ASIP (H) w gniazdach złącza ASIP (M) i wsuń ją w dół, tak żeby osłona ASIP (H) zatrzasnęła się na swoim miejscu. Gdyby na złączu ASIP (M) znajdowała się plastikowa zaślepka, przed przystąpieniem do zakładania osłony ASIP (M) zdejmij zaślepkę i przenieś ją na złącze ASIP (H) po przeciwległej stronie fotelika. Dopilnuj, żeby osłona ASIP (H) była założona po tej stronie fotelika Axkid MINIKID 4 PRO, która znajduje się bliżej drzwi pojazdu.



Zapinanie dziecka w foteliku samochodowym Axkid MINIKID 4 PRO

Zanim przystąpisz do zapinania dziecka w foteliku Axkid MINIKID 4 PRO, upewnij się, że w foteliku założona jest właściwa wkładka. Fotelik Axkid MINIKID 4 PRO zaprojektowano tak, żeby rozwijał się wraz z dzieckiem, na każdym etapie jego wzrostu oferując wygodne i bezpieczne dopasowanie. Axkid zaleca używanie wkładki do czasu, aż dziecko zrobi się za ciasno, a przy tym według minimalnej miary zgodnie z tabelą poniżej. (Uwaga: podany wiek jest orientacyjny).

Wiek	Wzrost	
Małe dziecko 0-3 lata	61-105 cm	
Dziecko 3-7 lat	106-125 cm	

Fotelik Axkid MINIKID 4 PRO wyposażony jest w regulowany zagłówek (A). Więcej informacji na ten temat zawiera część **Regulacja zagłówka**.

7 Ustaw zagłówek (A) w przybliżonej pozycji dla dziecka.

8 Poluzuj uprząż, wciskając przycisk zwolnienia uprząży (E) i wyciągając jednocześnie obydwa pasy barkowe (S). Nie ciągnij za poszczególne pasy osobno, ponieważ to mogłoby spowodować niewyrównanie pasów barkowych (S).

9 Odblokuj sprzączkę uprząży, wciskając przycisk zwalnający sprzączkę (C), po czym odłóż pasy poza fotelik.

10 Posadź dziecko w foteliku i przełóż pasy barkowe (S) przez ramiona dziecka. Pociągnij i przytrzymaj dźwignię blokady zagłówka (G), aby odblokować zagłówek. Popchnij w dół/pociągnij w górę zagłówek (A) do położenia, w którym pasy barkowe znajdują się maksymalnie 1 cm nad ramionami dziecka. Zablokuj sprzączkę, najpierw łącząc z sobą części sprzączki mocowane do pasów barkowych (S), a następnie wsuwając je do sprzączki aż do słyszalnego zatrzaśnięcia.

11 Pociągnij za pasy barkowe (S), aby naciągnąć uprząż na biodrach dziecka. Utrzymując naciąg pasów barkowych (S), wyciągnij pasek zaciągający uprząż (F) prosto z fotelika na tyle, żeby uprząż dostatecznie się zacisnęła — nie powinno być możliwe wsunięcie więcej niż jednego palca między pasy barkowe (S) a ramiona dziecka.



Regulacja zagłówka

Fotelik Axkid MINIKID 4 PRO wyposażony jest w regulowany zagłówek (A).

Podczas korzystania z fotelika Axkid MINIKID 4 PRO należy zawsze upewnić się, że zagłówek znajduje się na wysokości odpowiedniej dla dziecka. Dopilnuj, żeby pasy barkowe (S) przebiegały przez fotelik prosto z ramion dziecka lub na wysokości co najwyżej o 1 cm większej. Jeśli tak nie jest, odpowiednio wyreguluj zagłówek (A).

Uwaga: Jeśli zagłówek nie można podciągnąć do odpowiedniej wysokości, należy zwolnić napięcie uprzęży. Naciśnij przycisk zwalniający uprzęż (E), aby poluzować uprzęż.



Wymywanie fotelika samochodowego Axkid MINIKID 4 PRO z pojazdu

- Rozepnij suwak i otwórz osłonę zacisku pasa (P). Odblokuj pas bezpieczeństwa pojazdu, wciskając czerwony przycisk w sprzączce pasa bezpieczeństwa. Otwórz zacisk pasa (O) i wyciągnij pas bezpieczeństwa pojazdu, po czym przewlec go przez otwory pasa bezpieczeństwa (D) w celu wyjęcia pasa z fotelika.
- Odblokuj mocowania pasów kotwiczących (N), chwytając złącza dłońią i jednocześnie wciskając kciukiem szary przycisk. Trzymając złącze w dłoni, powoli naciskaj, aby wysunąć dolne pasy kotwiczące.
- Wciśnij przycisk nóżki podpierającej (R) i złóż nóżkę podpierającą (Q) do pozycji jej najmniejszej długości.
- Ustaw regulator kąta pochylecia (T) w pozycji złożonej. Wymnij fotelik Axkid MINIKID 4 PRO z pojazdu.

Wskazówka: Przed wyjęciem fotelika z pojazdu blokuj sprzączkę uprzęży i napinaj uprzęż. W rezultacie możesz używać pasów barkowych (S) jako uchwytu do przenoszenia, co ułatwia wymywanie fotelika i przenoszenie go poza pojazdem.

Ważne: Nigdy nie przenoś fotelika samochodowego trzymając go za zagłówek (A).

Recykling fotelika samochodowego



Axkid zdecydowanie zaleca recykling starych fotelików samochodowych. Przed oddaniem fotelika do lokalnego punktu recyklingu należy odciąć pasy uprzęży od fotelika, zdjąć pokrowiec tekstylny, usunąć jak najwięcej części styropianowych, w miarę możliwości oddzielić części metalowe od plastikowych. Główna część fotelika powinna być oznaczona jako niebezpieczna lub przeterminowana (użyj markera), aby zniechęcić kogokolwiek do jej ponownego użycia. Instrukcje dotyczące recyklingu różnych materiałów można znaleźć w lokalnych wytycznych komunalnych.

Pielęgnacja i konserwacja

Materiałowy pokrowiec fotelika można prać w pralce w temperaturze 30°C, cyklem prania delikatnego. Pokrowca nie należy suszyć w suszarce, ponieważ to mogłoby go uszkodzić i doprowadzić do oddzielenia wyściółki od tkaniny. Na stronie www.axkid.com znajdziesz filmy demonstrujące sposób zdejmowania i zakładania pokrowca.

Gdyby materiałowy pokrowiec fotelika wymagał wymiany, należy się upewnić, że użyte zostają wyłącznie oryginalne produkty Axkid. Jeśli używane są inne produkty, system bezpieczeństwa fotelika samochodowego Axkid może zostać naruszony, co może prowadzić do poważnych obrażeń w razie wypadku.

Wszystkie plastikowe części fotelika samochodowego Axkid można czyścić łagodnym detergentem i wodą. Nie należy stosować agresywnych chemikaliów zawierających rozpuszczalniki itp., ponieważ to mogłoby spowodować uszkodzenie tworzywa sztucznego i pogorszenie poziomu bezpieczeństwa gwarantowanego przez fotelik.

Zdejmowanie materiałowego pokrowca

- Zdejmij osłonę ASIP (H), o ile jest założona.
- Wyciągnij zagłówek (A) do najwyższego położenia. Poluzuj uprzęż, wciskając przycisk zwolnienia uprzęży (E) i wyciągając jednocześnie obydwa pasy barkowe (S).
- Rozepnij dwa suwaki na spodzie zagłówka (A) i ostrożnie ściągnij pokrowiec z zagłówka (A).
- Opuść zagłówek (A) do najniższego położenia.
- Odblokuj sprzączkę uprzęży, wciskając przycisk zwalniający sprzączkę (C), po czym zdejmij osłonę sprzączki.
- Rozepnij zamek błyskawiczny i otwórz osłonę zacisku pasa (P), a następnie zdejmij plastikową pokrywę z tekstylnego pokrowca.
- Rozepnij 4 guziki na tekstylnym pokrowcu z tyłu fotelika samochodowego.
- Rozepnij dwa suwaki na oparciu po wewnętrznej stronie fotelika, po czym ostrożnie ściągnij materiałowy pokrowiec z fotelika. Zachowaj ostrożność w pobliżu osłony ASIP i innych plastikowych osłon, aby uniknąć uszkodzenia materiału. Nie ciągnij zbyt mocno.
- Otwórz ochraniacze na ramiona i ostrożnie odepnij je od rzepów.

Zakładanie materiałowego pokrowca:

- Aby z powrotem założyć materiałowy pokrowiec na fotelik, wykonaj w odwrotnej kolejności czynności analogiczne do powyższych.

Uwaga: ochraniacze na ramiona można instalować w różnych miejscach. Instaluj je w sposób dogodny dla dziecka — powinny znajdować się na ramieniu i na klatce piersiowej dziecka. Pilnuj przy tym, żeby każdy ochraniacz na ramię była skierowana gumową stroną do klatki piersiowej dziecka.

Gwarancja

Fotelik samochodowy Axkid jest objęty 24-miesięczną gwarancją od daty zakupu. Zachowaj dowód zakupu — w razie potrzeby skorzystania z gwarancji należy go okazać w miejscu zakupu.

Gwarancja nie obejmuje:

- normalnego zużycia,
- uszkodzeń spowodowanych niewłaściwym użyciem, zaniedbaniem lub wypadkiem,
- jeżeli naprawy zostały przeprowadzone przez stronę trzecią.
- Wszystkie użyte materiały mają bardzo wysoki współczynnik odporności na promieniowanie UV. Jednak promieniowanie UV jest bardzo agresywne i ostatecznie prowadzi do wypłowienia pokrycia fotelika. Gwarancja tego nie obejmuje, ponieważ uznaje się to za normalne zużycie.
- Obchodź się z fotelikiem ostrożnie. Nigdy nie wolno przenosić fotelika trzymając za zagłówek (A).

Děkujeme, že jste si vybrali Axxkid MINIKID 4 PRO

Před instalací autosedačky do vozidla si přečtěte tento návod k použití.
Další informace a videa s návody k instalaci najdete na webu www.axkid.com.

Axxkid MINIKID 4 PRO je autosedačka určená pro použití proti směru jízdy a je schválena pro děti s výškou od 61 do 125 cm, hmotností ≤36 kg

Autosedačka Axxkid MINIKID 4 PRO je vhodná pro použití přibližně od šesti měsíců věku nebo od doby, kdy dítě dokáže sedět bez opory.

Jedná se o integrální vylepšený dětský zadržný systém pro konkrétní vozidla. Je schválen podle předpisu EHK OSN č. 129 pro použití na sedadlech v kompatibilních vozidlech uvedených v seznamu vozidel. V případě pochybností se obraťte na výrobce vylepšeného dětského zadržného systému (www.axkid.com) nebo na prodejce.

Důležité informace

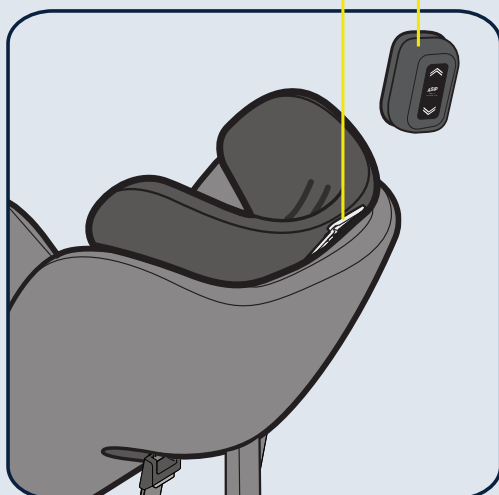
V zájmu maximálního bezpečí vašeho dítěte je důležité mít na paměti následující pokyny:

- Vždy dodržujte pokyny uvedené v této příručce. Nesprávná instalace může vážně ohrozit bezpečnost vašeho dítěte. V případě pochybností se obraťte na prodejce a požádejte jej, aby vám předvedl správnou instalaci.
- Tento návod k použití uschovejte pro pozdější potřebu. V případě ztráty najdete příručku online na www.axkid.com
- Nepoužívejte autosedačku na sedadle, kde je aktivní airbag pro čelní náraz. Pokud chcete autosedačku nainstalovat na toto místo, je třeba airbag deaktivovat podle pokynů výrobce vozidla.
- V případě autonehody, třeba i méně závažné, se musí autosedačka vždy vyměnit. Mohou se objevit nezjistitelné závady, které mohou vážně ohrozit bezpečnost vašeho dítěte. To je také jeden z důvodů, proč Axxkid nedoporučuje nákup sedačky z druhé ruky.
- Pokud byla autosedačka vystavena přímému slunečnímu záření, ujistěte se před usazením vašeho dítěte, že autosedačka není příliš horká.
- Nikdy nenechávejte vaše dítě v autě bez dozoru.
- Všechna zavazadla a volně ležící předměty ve vozidle zajistěte proti pohybu, aby v případě autonehody nemohly zranit cestující.
- Ujistěte se, že je autosedačka instalována tak, aby nemohlo dojít k zachycení jejích částí pohyblivými sedadly, dveřmi auta atd.
- Pokud používáte spodní kotvící pásky, ujistěte se, že jsou nainstalovány tak, aby nebránily pohybu žádného sedadla ve vozidle.
- Autosedačku lze instalovat pouze zády ke směru jízdy.
- Vždy se ujistěte, že jsou popruhy nastaveny tak, aby správně seděly na těle vašeho dítěte. Popruhy se nastavují posunutím opěrky hlavy.
- Když dítě upoutáváte popruhy, tak se ujistěte se, že jsou záda dítěte přitlačena k autosedačce.
- Vždy se ujistěte, že jsou popruhy pevně přitaheny k dítěti a že je přezka zcela zajištěna a není možné pásy přiskřípnout.
- Ujistěte se, že popruhy nejsou zkroucené.
- Vždy se ujistěte, že je opěrná noha ve správné poloze a má kontakt s podlahou vozidla. Opěrná noha je velmi důležitým bezpečnostním prvkem navrženým pro maximalizaci bezpečnosti vašeho dítěte při nehodě.
- Nepokoušejte se rozebírat ani upravovat jakoukoli část autosedačky. Mohlo by to ovlivnit záruku a bezpečnost autosedačky.
- Nikdy nepoužívejte autosedačku bez textilního potahu. Textilní potah je bezpečnostní prvek a lze jej nahradit pouze originálním textilním potahem Axxkid.
- Přečtěte si příručku k vozidlu a seznam vozidel na www.axkid.com, kde je uvedeno, která místa k sezení jsou pro tuto autosedačku vhodná.
- Axxkid doporučuje vždy používat ochranu sedadla, aby bylo sedadlo vozidla chráněno před poškrábáním a nečistotami.
- V případě pochybností kontaktujte prodejce, u kterého jste autosedačku zakoupili, nebo kontaktujte info@axkid.com

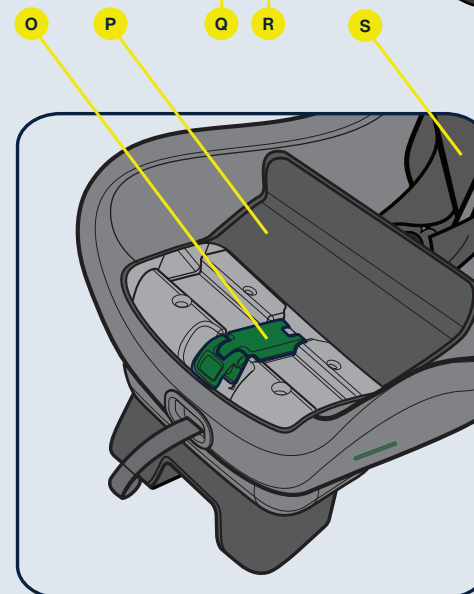
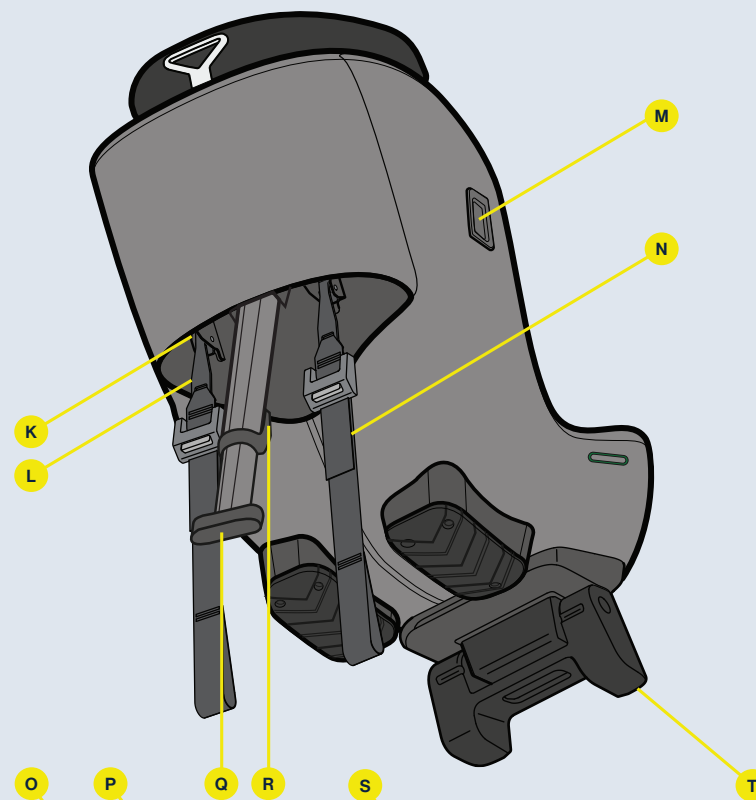
Obsah

Součásti	84
Povolené a nepovolené umístění autosedačky Axxkid MINIKID 4 PRO	86
Spodní kotvící prvky	86
Instalace spodních upevňovacích prvků	87
Instalace autosedačky Axxkid MINIKID 4 PRO ve vozidle	88
Připoutání dítěte do autosedačky Axxkid MINIKID 4 PRO	89
Polohování opěrky hlavy	90
Vyjmutí autosedačky Axxkid MINIKID 4 PRO z vozidla	90
Péče a údržba	91
Záruka	91

Součásti



- A** OPĚRKA HLAVY
- B** INTEGROVANÉ POPRUHY
- C** TLAČÍTKO PRO UVOLNĚNÍ SPONY
- D** OTVOR PRO BEZPEČNOSTNÍ PÁS
- E** TLAČÍTKO PRO UVOLNĚNÍ POPRUHŮ
- F** PÁSEK PRO NAPNUTÍ POPRUHŮ
- G** PÁČKA ZAJIŠTĚNÍ OPĚRKY HLAVY
- H** OCHRANNÁ PODLOŽKA ASIP
- I** PATKA
- J** SVISLÁ DRÁŽKA



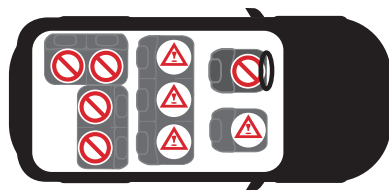
- K** KONEKTOR KOVOVÉHO KLIPU
- L** KOVOVÝ KLIP
- M** KONEKTOR ASIP
- N** SPODNÍ UPEVŇOVACÍ PRVEK
- O** SPONA PÁSU
- P** KRYT SPONY PÁSU
- Q** OPĚRNÁ NOHA
- R** TLAČÍTKO OPĚRNÉ NOHY
- S** RAMENNÍ PÁS
- T** ZAŘÍZENÍ PRO NASTAVENÍ NÁKLONU



Povolené a nepovolené umístění autosedačky Axkid MINIKID 4 PRO

Autosedačku Axkid MINIKID 4 PRO lze instalovat pouze zády ke směru jízdy. Lze ji instalovat na většinu míst k sezení, ale ne na všechna. Najděte v příručce k vašemu vozidlu vhodné místo k sezení a podívejte se na seznam vozidel na www.axkid.com

Přední sedadlo spolujezdce (bez aktivního airbagu)	ANO/NE*
Přední sedadlo spolujezdce (s aktivním airbagem)	NE
Zadní sedadlo spolujezdce s tříbodovým bezpečnostním pásem	ANO
Sedadlo s dvoubodovým bezpečnostním pásem	NE
Sedačla obrácená bokem ke směru jízdy a sedačla obrácená proti směru jízdy	NE



DŮLEŽITÉ: Pokud chcete umístit autosedačku Axkid MINIKID 4 PRO na místo vybavené čelním airbagem, je třeba airbag odpojit podle pokynů výrobce vozidla. Upozorňujeme, že u některých vozidel musí být odpojení airbagu provedeno autorizovaným servisním střediskem.

* Obecné dopravní předpisy ve Španělsku v článku 117 zavádí bez výjimek zákaz vozit děti s výškou do 135 centimetrů na předních sedadlech vozidla.



Spodní kotvicí prvky Důležité informace

Spodní kotvicí prvky se používají ke zvýšení ochrany dětí ve vozidlech tím, že umožňují pevnou a stabilní instalaci prodloužených autosedaček obrácených proti směru jízdy a přípevněných pásem. To zvyšuje bezpečnost vašeho dítěte při všech typech kolizí, včetně převrácení vozidla a nárazu zezadu.

Spodní upevnění je osvědčená metoda, která se v severovýchodních zemích široce používá již více než 40 let. V roce 2020 byla vydána nová mezinárodní norma ISO13216-4:2020 pro spodní kotvicí prvky. Tato norma popisuje požadavky na spodní upevňovací prvky pro autosedačky, ale také na výrobce vozidel a jejich kotevní body. Cílem je zlepšit kompatibilitu a zajistit bezpečný a snadný způsob instalace do budoucna.

Axkid MINIKID 4 PRO obsahuje dva spodní upevňovací prvky pro instalaci do automobilů se spodními kotvicími prvky nebo bez nich. Příložené spodní upevňovací prvky jsou v souladu s normou ISO13216-4:2020 a zajišťují dokonalé uchycení a snadnou instalaci ve vozidlech s předinstalovanými spodními kotvicími prvky, které rovněž splňují tuto normu. Pokud má vaše vozidlo kotevní body, které nevyhovují této normě, pravděpodobně bude možné nainstalovat spodní upevňovací prvky Axkid MINIKID 4 PRO, ale nelze to zaručit. Předinstalované spodní kotvicí prvky ve vozidlech se často nacházejí na kolejničích sedadlech přípevněných k podlaze, ale používají se i jiná místa. Další informace o použitelných kotevních bodech naleznete v návodu k obsluze vašeho vozidla.

Axkid MINIKID 4 PRO se dodává se vším, co potřebujete k instalaci autosedačky do vašeho vozidla. Spodní kotvicí prvky a dodatečné spodní kotvicí pásy lze však zakoupit také samostatně a tím zrychlit a usnadnit instalaci do více automobilů. Někteří výrobci vozidel také nabízejí možnost dodatečné montáže spodních kotvicích prvků. Další informace vám poskytne výrobce nebo prodejce vozidla. Spodní kotvicí prvky a dodatečné spodní upevňovací prvky Axkid pro dodatečnou montáž lze zakoupit samostatně.

Poznámka: Nikdy nepoužívejte autosedačku Axkid MINIKID 4 PRO bez spodních upevňovacích prvků. Jsou důležitým bezpečnostním prvkem a musí být vždy použity při instalaci autosedačky.



Instalace spodních upevňovacích prvků

Při instalaci Axkid MINIKID 4 PRO vždy používejte dva kotevní body a zvolte kotevní body, které jsou oddělené, protože je tím zajištěna stabilnější instalace. V závislosti na vašem vozidle a na místě k sezení, na které se rozhodnete instalovat autosedačku, lze použít různé možné kotevní body. Alternativy viz níže.

Možnosti vedení spodního upevňovacího prvku

- alt. **a** Nainstalujte upevňovací prvek kolem kolejničky sedadla před autosedačkou provlečením upevňovacího prvku mezi kolejničkou sedadla a podlahou vozidla nebo vhodným otvorem v kolejničce sedadla.
- alt. **b** Nainstalujte upevňovací prvek kolem pantu sedadla vozidla před autosedačkou provlečením upevňovacího prvku mezi opěradlem sedadla vozidla a sedákem sedadla.
- alt. **c** Nainstalujte upevňovací prvek kolem kolejničky sedadla pod autosedačkou provlečením upevňovacího prvku mezi kolejničkou sedadla a podlahou vozidla nebo vhodným otvorem v kolejničce sedadla.
- alt. **d** Nainstalujte spodní upevňovací prvek na vhodný kotevní bod v zadní části vozidla a vedte upevňovací prvek pod sedadlem vozidla k přední části vozidla. Dbejte na to, aby spodní upevňovací prvek vycházel z přední části sedadla, nikoli ze stran.
- alt. **e** Při instalaci Axkid MINIKID 4 PRO na přední sedadlo spolujezdce se musí upevňovací prvek ovinout kolem nejbližšího vhodného kotevního bodu, který umožní úplné utažení popruhů. Lze použít kotevní body umístěné dále vzadu a v případě potřeby lze upevňovací prvek překřížit a dokonce spojit smyčkou s jiným upevňovacím prvkem.

Poznámka: Vždy se ujistěte, že změna polohy jakéhokoli sedadla vozidla nebude nainstalovaným spodním upevňovacím prvkům překážet ani je nepoškodí.

Poznámka: Nikdy nepoužívejte ostré předměty k usnadnění vedení upevňovacích prvků, protože by mohly upevňovací prvky poškodit.



Spodní kotvicí prvky Při instalaci Axkid MINIKID 4 PRO pomocí spodních kotvicích prvků (LTA) lze spodní upevňovací prvek (N) ovinout kolem konektoru kovového klipu (K) a kovový klip (L) se zapojí do spodního kotvicího prvku.



Instalace autosedačky Axkid MINIKID 4 PRO ve vozidle

Před instalací autosedačky Axkid MINIKID 4 PRO se ujistěte, že máte ve vozidle spodní upevňovací prvky nebo spodní kotvící prvky. Další informace a pokyny k instalaci naleznete v části **Spodní kotvící prvky a Instalace spodních upevňovacích prvků** v této příručce.

1 Rozepněte zip a otevřete kryt spony pásu (P).

2 Umístěte autosedačku Axkid MINIKID 4 PRO na sedadlo vozidla tak, aby zadní část autosedačky směřovala k přední části vozidla. Upravte prostor pro nohy vašeho dítěte jednoduchým pohybem autosedačky tam a zpět na sedadle vozidla. Autosedačku Axkid MINIKID 4 PRO lze instalovat těsně k opěradlu sedadla vozidla, ale nikdy ji nelze instalovat s patkou (I) visící přes okraj sedadla vozidla. Ujistěte se, že svislá drážka (J) na patce (I) nikdy nepřesahuje okraj sedadla vozidla.

Nastavte náklon autosedačky volbou vhodné polohy náklonu pomocí zařízení pro nastavení náklonu (T). Pro maximální bezpečnost zvolte, pokud možno vzpřímenou, ale zároveň takovou polohu, aby hlavička dítěte nepadala dopředu, když dítě usne. Z důvodu pohodlí i bezpečnosti by měl být úhel náklonu nastaven do vzpřímenější polohy podle toho, jak dítě roste. Upozorňujeme, že při napínání spodních upevňovacích prvků (N) bude autosedačka lehce víc nakloněná, protože se vmáčkne do sedáku vozidla. Při instalaci autosedačky Axkid MINIKID 4 PRO na přední sedadlo spolujezdce je možné, ale nikoliv nutné, aby se zadní část autosedačky dotýkala palubní desky.

3 Otevřete sponu pásu (O). Vytáhněte bezpečnostní pás vozidla na délku paže a provlékněte jej otvorem pro bezpečnostní pás (D), který je nejbližší k vám. Vedte pás sponou pásu (O) a provlékněte ho otvorem pro bezpečnostní pás (D) na opačné straně. Spojte bezpečnostní pás vozidla s přezkou bezpečnostního pásu a silně zatáhněte za ramenní část bezpečnostního pásu vozidla, abyste pás těsně přitáhli a připevnili tak autosedačku. Čím silněji zatáhněte, tím pevnější bude instalace. Pro ještě pevnější a stabilnější instalaci zatlačte na autosedačku, a přitom zatáhněte za pás vozidla. Když je autosedačka pevně upevněna, zavřete sponu pásu (O) a zajistěte bezpečnostní pás vozidla v poloze. Ujistěte se, že ramenní i břišní část pásu jsou společně zajištěny ve sponě pásu (O). Zavřete kryt spony pásu (P) a zavřete zip.

4 Připevněte kovové klipy (L) do konektorů kovových klipů (K) na každé straně dětské sedačky (nebo připojte kovové klipy (L) ke kotvícím prvkům ve vozidle, pokud se k instalaci používají spodní kotvící prvky. Další informace naleznete v části **Instalace spodních upevňovacích prvků** v této příručce). Zatímco napínáte spodní upevňovací prvky (N), tlačte na horní část autosedačky. Napnutím spodních upevňovacích prvků (N) také nastavíte konečný úhel sklonu autosedačky. Dál tlačte na autosedačku a napínejte ji, dokud nebude pevně upevněna a nedosáhnete vhodného úhlu náklonu.

5 Vytáhněte opěrnou nohu (Q) z autosedačky. Stiskněte tlačítko opěrné nohy (R) a prodlužte opěrnou nohu (Q) tak, aby se zapírela o podlahu vozidla. Pusťte tlačítko opěrné nohy (R) a zvedněte autosedačku nahoru, aby se opěrná noha (Q) dále prodloužila, dokud neuslyšíte cvaknutí. Opěrná noha (Q) by nyní měla být zajištěna a pevně přitlačena k podlaze vozidla. Ujistěte se, že je opěrná noha (Q) v úhlu cca 10° směrem k přední části vozidla. Znovu zkontrolujte bezpečnostní pás vozidla, abyste se ujistili, že je stále pevně napnutý a že při napínání spodních upevňovacích prvků a opěrné nohy nedošlo k povolení bederního pásu. Pokud se pás vozidla uvolnil, jednoduše jej znovu napněte opakováním kroku 2 tohoto návodu, aniž byste odpojili spodní upevňovací prvky.

6 Zatlačte ochrannou podložku ASIP (H) do štěrbin na konektoru ASIP (M) a posuňte dolů, podložka ASIP (H) zaklapne na místo. Pokud je na ASIP konektoru (M) plastový kryt, sejměte jej a umístěte jej na ASIP konektor (M) na opačné straně sedadla, než nasadíte ochrannou podložku ASIP (H). Ujistěte se, že ochranná podložka ASIP (H) je připevněna na té straně autosedačky Axkid MINIKID 4 PRO, která je nejbližší dveřím vozidla.



Připoutání dítěte do autosedačky Axkid MINIKID 4 PRO

Před upoutáním dítěte do autosedačky Axkid MINIKID 4 PRO se ujistěte, že máte v autosedačce nainstalovanou správnou vložku. Autosedačka Axkid MINIKID 4 PRO je navržena tak, aby rostla s vaším dítětem a dítěti se pohodlně a bezpečně přizpůsobila. Společnost Axkid doporučuje vložku používat, dokud není vašemu dítěti příliš těsná, ale do minimální výšky podle tabulky níže (upozorňujeme, že věk je pouze orientační):

Věk	Výška	
Bátolc 0–3 roky	61–105 cm	
Dítě 3–7 let	106–125 cm	

Axkid MINIKID 4 PRO je vybaven nastavitelnou opěrkou hlavy (A). Další informace naleznete v části **Pohobování opěrky hlavy**.

7 Opěrkou hlavy umístěte (A) do přibližné polohy pro vaše dítě.

8 Uvolněte popruhy stisknutím tlačítka po uvolnění popruhů (E) a vytáhněte oba ramenní pásy (S) současně. Netahejte pouze za jeden pás, protože by to mohlo způsobit nerovnoměrnost ramenních pásů (S).

9 Odjistěte přezku popruhů stisknutím tlačítka pro uvolnění přezky (C) a dejte pásy mimo sedadlo.

10 Umístěte dítě do sedačky a přetáhněte ramenní pásy (S) přes ramena dítěte. Zatáhněte a podržte páčku zajištění opěrky hlavy (G), abyste opěrkou hlavy odjistili a aby zůstala odjistěná. Zatlačte/ vytáhněte opěrkou hlavy (A) do polohy, kde jsou ramenní pásy umístěny maximálně 1 cm nad rameny dítěte. Části spony připevněné k ramenním pásům (S) dejte k sobě a společně zatlačte do přezky, dokud neuslyšíte cvaknutí.

11 Zatáhněte za ramenní pásy (S), abyste utáhli popruhy přes kyčle dítěte. Držte ramenní pásy (S) napnuté a tahejte za pásek pro napnutí popruhů (F) přímo z autosedačky, dokud nebudou popruhy dostatečně utaženy. Mezi ramenní pásy (S) a ramena vašeho dítěte by se neměl vejít víc než jeden prst.



Polohování opěrky hlavy

Axkid MINIKID 4 PRO je vybaven nastavitelnou opěrkou hlavy (A).

Při používání dětské autosedačky Axkid MINIKID 4 PRO umístěné proti směru jízdy vždy dbejte na to, aby byla opěrka hlavy umístěna ve správné výšce pro vaše dítě. Ujistěte se, že ramenní pásy (S) procházejí sedačkou přímo od ramen vašeho dítěte nebo maximálně o 1 cm výše. Není-li tomu tak, upravte odpovídajícím způsobem opěrku hlavy (A).

Poznámka: Pokud nelze opěrku hlavy vytáhnout do vhodné výšky, musí se povolit napnutí popruhů. Stiskem tlačítka pro uvolnění popruhů (E) popruhy uvolníte.



Vyjmutí autosedačky Axkid MINIKID 4 PRO z vozidla

- Rozepněte zip a otevřete kryt spony pásu (P). Odjistěte bezpečnostní pás vozidla stiskem červeného tlačítka na zámku bezpečnostního pásu. Otevřete sponu pásu (O) a zatáhněte za bezpečnostní pás vozidla a vedte jej skrz otvory pro bezpečnostní pás (D) a vyjměte jej z autosedačky.
- Odjistěte spodní upevňovací prvky (N) tak, že rukou přidržíte konektory a palcem stisknete šedé tlačítko. Držte konektor v ruce a pomalu zatlačte, abyste vytáhli spodní upevňovací prvky.
- Stiskněte tlačítko opěrné nohy (R) a stáhněte opěrnou nohu (Q) do nejkratší polohy.
- Sklopte zařízení pro nastavení náklonu (T) do sklopené polohy. Vyzvedněte autosedačku Axkid MINIKID 4 PRO z vozidla.

Tip: Před vyjmutím autosedačky z vozidla zajistěte přezku popruhů a popruhy napněte. Ramenní pásy (S) pak můžete použít jako rukojeť pro přenášení, což usnadňuje zvednutí autosedačky a její přenesení mimo vozidlo.

Důležité: Nikdy nepřenášejte autosedačku za opěrku hlavy (A).

Recyklace autosedačky



Axkid důrazně doporučuje recyklaci starých autosedaček. Před zanecháním autosedačky v místní recyklační stanici odřízněte pásy popruhů ze sedačky, odstraňte textilní kryt, odstraňte co nejvíce polystyrenových dílů, pokud je to možné, oddělte kovové a plastové díly, pokud je to možné. Hlavní část autosedačky se musí označit jako nebezpečná nebo prošlá (použijte značkovač), abyste odradili druhé od jejího opětovného použití. Přečtěte si prosím místní pokyny pro recyklaci různých materiálů.

Péče a údržba

Potah autosedačky můžete sejmout a vyprat v pračce na jemný prací program do 30°C. Nesušte potah v sušičce. Mohlo by dojít k jeho poškození a polstrování by se mohlo oddělit od tkaniny. Na webu www.axkid.com najdete videa, která vysvětlují, jak sundat a opět nasadit potahy.

Pokud je třeba vyměnit textilní potah, používejte pouze originální výrobky značky Axkid. Při použití jiných výrobků může dojít ke zhoršení funkčnosti bezpečnostního systému autosedačky Axkid, což by mohlo v případě autonehody vést k vážnému úrazu. Všechny plastové části autosedačky Axkid lze čistit prostředkem na mytí nádobí a vodou. Nepoužívejte agresivní chemikálie obsahující rozpouštědla apod., protože by mohly plast poškodit a ohrozit bezpečnost autosedačky.

Sejmutí textilního potahu:

- Odstraňte ochrannou podložku ASIP (H), pokud je připojena.
- Vytáhněte opěrku hlavy (A) do nejvyšší polohy. Uvolněte popruhy stisknutím tlačítka po uvolnění popruhů (E) a vytáhněte oba ramenní pásy (S) současně.
- Rozepněte oba zipy na spodní straně opěrky hlavy (A) a opatrně stáhněte potah z opěrky hlavy (A).
- Spusťte opěrku hlavy (A) do nejnižší polohy.
- Odjistěte přezku popruhů stisknutím tlačítka pro uvolnění přezky (C) a sejměte kryt přezky.
- Rozepněte zip a otevřete kryt spony pásu (P) a sejměte plastový kryt z textilního potahu.
- Rozepněte 4 knoflíky na textilním potahu na zadní straně autosedačky.
- Rozepněte oba zipy na opěradle na vnitřní straně autosedačky a jemně sejměte textilní potah z autosedačky. Dávejte pozor kolem ochranné podložky ASIP a dalších plastových krytů, abyste nepoškodili textilii. Netahejte příliš silně.
- Otevřete ramenní vycpávky a jemně je oddělte od suchého zipu.

Nasazení textilního potahu:

- Pro nasazení textilního potahu zpět na autosedačku postupujte podle výše uvedených pokynů v opačném pořadí.

Poznámka: Ramenní vycpávky lze instalovat do různých poloh. Nainstalujte je do polohy vhodné pro vaše dítě. Ramenní vycpávky by měly být umístěny v horní části ramen a na hrudi vašeho dítěte. Rovněž se ujistěte, že pogumovaná strana ramenní vycpávky směřuje k hrudi vašeho dítěte.

Záruka

Na autosedačku Axkid se vztahuje záruka 24 měsíců od data koupě. Účtenku si nezapomeňte uschovat, abyste ji mohli v případě reklamace předložit prodejci.

Záruka se nevztahuje na následující situace:

- Běžné opotřebení.
- Poškození způsobené nesprávným používáním, zanedbáním nebo nehodou.
- Opravy provedené třetí stranou.
- Všechny použité materiály mají velmi vysokou odolnost proti UV záření. UV záření je však velmi agresivní a časem způsobí vyblednutí potahu autosedačky. Na vyblednutí se nevztahuje naše záruka, protože je považováno za normální opotřebení.
- Zacházejte se sedačkou opatrně. Nikdy nepřenášejte autosedačku tak, že ji budete držet za opěrku hlavy (A).

Tack för att du har valt Axxid MINIKID 4 PRO

Läs denna bruksanvisning innan du monterar bilbarnstolen i bilen.
Mer information och monteringsfilmer finns på www.axkid.com.

Axxid MINIKID 4 PRO är en bakåtvänd bilbarnstol som är godkänd för barn som är mellan 61 och 125 cm långa och väger ≤36 kg

Axxid MINIKID 4 PRO är lämplig att använda från ca sex månaders ålder, eller från det att barnet kan sitta upp själv utan stöd.

Detta är en integrerad förbättrad bilbarnstol för fastspänning med bilbälte i specifika fordon. Den är godkänd i enlighet med FN-förordning nr 129 för användning på lämpliga sittplatser i bilen, vilka anges i listan över fordon. Om du är osäker, vänd dig antingen till tillverkaren av den förbättrade bilbarnstolen (www.axkid.com) eller återförsäljaren.

Viktig information

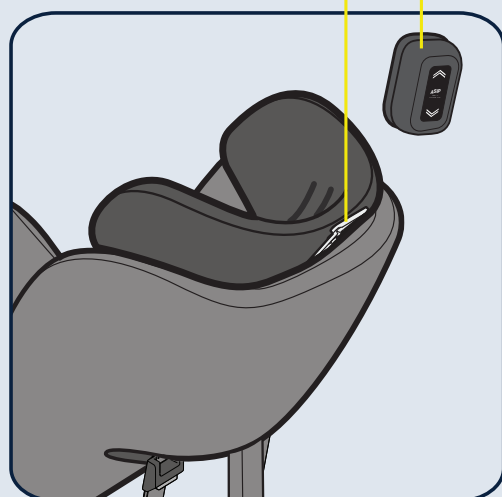
För att maximera säkerheten för barnet är det viktigt att tänka på följande:

- Följ alltid anvisningarna i instruktionsboken noggrant. En felaktig montering kan allvarigt påverka säkerheten för ditt barn. Om du är osäker på om du gjort rätt, kontakta din återförsäljare som kan visa dig korrekt montering.
- Spara denna instruktionsbok för framtida bruk. Om du skulle råka tappa bort bruksanvisningen finns den även online på www.axkid.com
- Använd inte bilbarnstolen på en sittplats där det finns en aktiverad frontkrockkudde. Om du trots allt vill montera bilbarnstolen på denna plats måste krockkudden kopplas ur enligt bil tillverkarens anvisningar.
- Bilbarnstolen ska bytas ut om den har varit inblandad i en olycka, oavsett olyckans svårighetsgrad. Den kan ha skador som inte syns vilka allvarigt kan påverka säkerheten för ditt barn. Därför avråder Axxid alltid från att köpa en begagnad bilbarnstol.
- Om bilbarnstolen har utsatts för direkt solljus ska du se till att den inte är för varm innan du sätter barnet i den.
- Lämna aldrig barnet utan uppsikt i bilen.
- Se till att eventuellt bagage och lösa föremål är ordentligt fastsatta i bilen eftersom de kan orsaka personskada vid en olycka.
- Se till att bilbarnstolen är monterad så att inga delar kan fastna i rörliga säten, bildörrar osv.
- Om du använder de nedre fästremmarna, se till att de är monterade så att de inte är i vägen för någon stol när den ska justeras.
- Bilbarnstolen får endast monteras bakåtvänd.
- Se alltid till att bältet är justerat så att det passar barnets kropp. Bältet justeras genom att man flyttar huvudstödet.
- Se till att barnets rygg ligger mot bilbarnstolen när du spänner fast ditt barn med bältet.
- Se alltid till att bältet är ordentligt åtdraget mot ditt barn och att spännet är helt låst. Du ska inte kunna nypa tag om remmarna.
- Se till att bältet inte har snott sig.
- Se alltid till att stödbenet är i rätt position och att det har kontakt med fordonets golv. Stödbenet är en mycket viktig säkerhetsdetalj som är utformad för att maximera barnets säkerhet i händelse av en olycka.
- Försök inte att demontera eller modifiera någon del av bilbarnstolen. Om du gör det kan bilbarnstolens garanti och säkerhetsprestanda påverkas.
- Använd aldrig bilbarnstolen utan dess tygklädsel. Stolens tygklädsel är en säkerhetsdetalj och får endast ersättas med en Axxid-originalklädsel i tyg.
- Läs fordonshandboken och fordonslistan på www.axkid.com för att se vilka sittplatser som är lämpliga att använda för denna bilbarnstol.
- Axxid rekommenderar att du alltid använder säteskydd för att skydda bilsätet mot repor och smuts.
- Om du känner dig osäker, kontakta återförsäljaren där bilbarnstolen köptes eller kontakta info@axkid.com

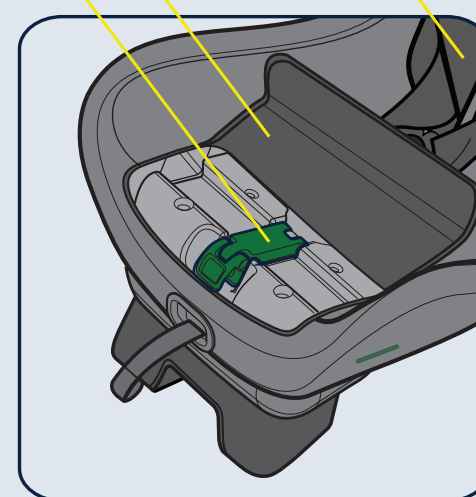
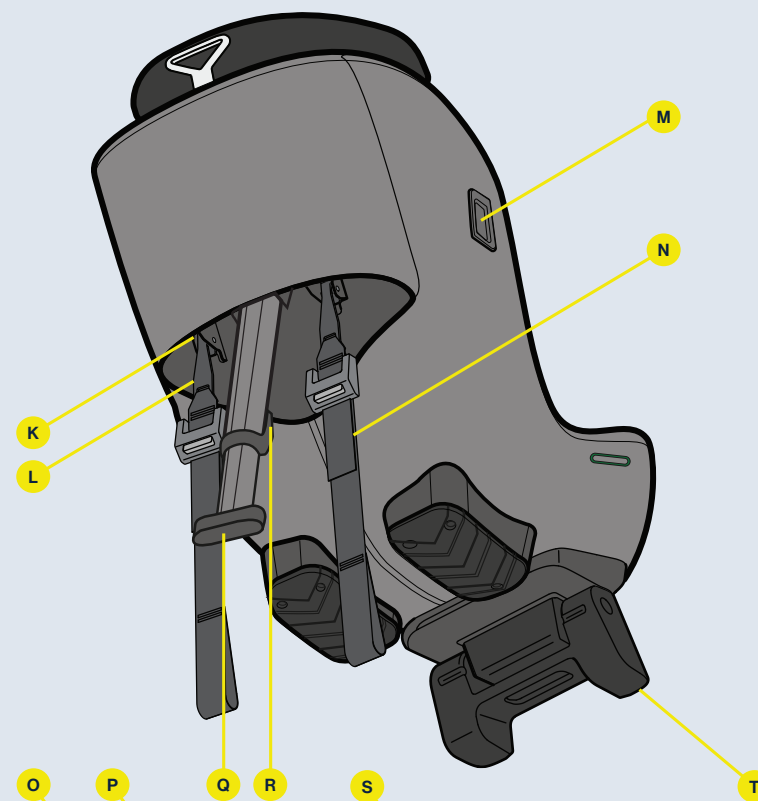
Innehållsförteckning

Delar	94
Tillåten och otillåten placering av bilbarnstolen Axxid MINIKID 4 PRO	96
Nedre förankringsband	96
Montera de nedre fästremmarna	97
Montera bilbarnstolen Axxid MINIKID 4 PRO i bilen	98
Spänna fast barnet i bilbarnstolen Axxid MINIKID 4 PRO	99
Justering av nackstöd	100
Ta ut bilbarnstolen Axxid MINIKID 4 PRO ur bilen	100
Skötsel och underhåll	101
Garanti	101

Delar



- A** HUVUDSTÖD
- B** INTEGRERAT BÄLTE
- C** FRIGÖRINGSKNAPP
- D** ÖPPNING FÖR SÄKERHETSÄLTET
- E** FRIGÖRINGSKNAPP FÖR BÄLTET
- F** SPÄNNBAND FÖR BÄLTET
- G** LÅSREGLAGE FÖR HUVUDSTÖD
- H** ASIP-SKYDD
- I** KLACK
- J** LODLINJE



- K** KOPPLING FÖR METALLKLÄMMA
- L** METALLKLÄMMA
- M** ASIP-KOPPLING
- N** NEDRE FÄSTBAND
- O** BÄLTESKLÄMMA
- P** LOCK TILL BÄLTESKLÄMMA
- Q** STÖDBEN
- R** KNAPP FÖR STÖDBEN
- S** AXELBÄLTE
- T** REGLAGE FÖR JUSTERING AV LUTNINGS-



Tillåten och otillåten placering av bilbarnstolen Axxid MINIKID 4 PRO

Bilbarnstolen Axxid MINIKID 4 PRO får endast monteras bakåtvänd. Bilbarnstolen passar på de flesta, men inte alla sittplatser. Kontrollera vilka sittpositioner som är lämpliga i bilens instruktionsbok och kontrollera fordonslistan på www.axkid.com

Främre passagerarsäte (utan aktiv airbag)	JA/NEJ*
Främre passagerarsäte (med aktiv airbag)	NEJ
Baksäte med trepunktsbälte	JA
Säte med tvåpunktsbälte	NEJ
Sido- och bakåtvända säten	NEJ



VIKTIGT: Om du vill montera din Axxid MINIKID 4 PRO-bilbarnstol på en plats där en frontkrockkudde är monterad måste krockkudden kopplas ur enligt biltillverkarens anvisningar. Observera att för vissa bilar krävs det att en auktoriserad serviceverkstad kopplar ur krockkudden.

* Enligt artikel 117 i Spaniens allmänna trafikregleringen är det, utan undantag, förbjudet att köra med barn som är 135 centimeter långa eller kortare i fordonets framsäten.



Nedre förankringsband Viktig information

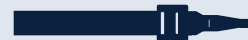
De nedre förankringarna (LTA) används för att förbättra skyddet av barn i bilar genom att tillhandahålla en fast och stabil installation för förlängda bakåtvända bilbarnstolar som sätts fast med säkerhetsbälte. Detta ökar säkerheten för ditt barn vid alla typer av kollisioner, inklusive voltning och påkörning bakifrån.

Nedre förankringar är en väletablerad metod som har använts flitigt i de nordiska länderna i över 40 år. 2020 publicerades en ny internationell standard för LTA, ISO13216-4:2020. Denna standard beskriver kraven för nedre förankringar för bilbarnstolar men också för fordonstillverkare och deras förankringspunkter. Syftet är att förbättra kompatibiliteten och säkerställa ett säkert och enkelt monterings sätt för framtiden.

Axxid MINIKID 4 PRO omfattar två nedre fästband för montering i bilar med eller utan nedre förankringar. De nedre fästbanden som ingår uppfyller kraven i ISO13216-4:2020 för att säkerställa perfekt passform och enkel montering i bilar med förmonterade nedre förankringar som också uppfyller kraven i denna standard. Om din bil har förankringspunkter som inte uppfyller kraven i standarden, kommer de nedre fästbanden för Axxid MINIKID 4 PRO förmodligen ändå att passa, men vi kan inte garantera det. De förmonterade nedre förankringarna i bilar sitter ofta på stolsskenorna som är fästa i golvet, men andra positioner används också. Se bilens instruktionsbok för mer information om vilka förankringspunkter du kan använda.

Axxid MINIKID 4 PRO levereras med allt du behöver för att montera bilbarnstolen i din bil. Nedre förankringar och extra nedre fästband kan dock köpas separat och gör monteringen snabbare och enklare i många bilar. En del biltillverkare erbjuder också möjlighet att eftermontera nedre förankringar. Kontakta biltillverkaren eller återförsäljaren för mer information. Axxid nedre förankringar för eftermontering och extra nedre fästband kan köpas separat.

Obs! Använd aldrig Axxid MINIKID 4 PRO utan de nedre fästbanden. De är en viktig säkerhetsdetalj och måste alltid användas när du monterar bilbarnstolen.



Montera de nedre fästremmarna

Använd alltid två förankringspunkter när du monterar Axxid MINIKID 4 PRO och välj förankringspunkter som sitter en bit från varandra eftersom detta ger en stabilare montering. Beroende på din bil och sittplatsen som du väljer att montera bilbarnstolen på, finns det olika möjliga förankringspunkter som du kan använda. Se nedan för alternativ.

Alternativ för dragning av nedre fästband

- alt. **a** Montera bandet runt stolsskenan framför bilbarnstolen genom att dra bandet mellan stolsskenan och bilgolvet eller genom ett lämpligt hål i stolsskenan.
- alt. **b** Montera bandet runt gångjärnet på fordonssätet framför bilbarnstolen genom att trä in bandet mellan ryggstödet på stolen och sittdynan.
- alt. **c** Montera bandet runt stolsskenan under bilbarnstolen genom att dra bandet mellan stolsskenan och bilgolvet eller genom ett lämpligt hål i stolsskenan.
- alt. **d** Montera det nedre fästbandet vid en lämplig förankringspunkt bak i bilen och dra bandet under bilsätet till bilens främre del. Se till att det nedre fästbandet sticker ut på stolens framsida och inte från sidorna.
- alt. **e** Om Axxid MINIKID 4 PRO monteras i passagerarsätet fram ska fästbanden viras runt närmast lämpliga förankringspunkt som gör det möjligt att sträcka banden helt. Förankringspunkter placerade längre bak kan användas och vid behov kan bandet korsas eller till och med viras samman med ett annat fästband.

Obs! Se alltid till att de nedre fästbanden inte är i vägen för eller kan skadas när en stols position justeras i bilen.

Obs! Använd aldrig vassa föremål för att underlätta dragning av banden eftersom banden då kan skadas.



LTA När Axxid MINIKID 4 PRO monteras med nedre förankringar (LTA) kan det nedre fästbandet (N) viras runt metallklämmans koppling (K) och metallklämmen (L) ska anslutas till den nedre förankringen.



Montera bilbarnstolen Axxkid MINIKID 4 PRO i bilen

Innan du monterar Axxkid MINIKID 4 PRO, se till att nedre fästband eller nedre förankringar är monterade i bilen. Se avsnittet om **nedre förankringar** och **montering av nedre fästband** i den här bruksanvisningen för mer information och monteringsanvisningar.

1

Dra upp dragkedjan och öppna locket till bältesklämman (P).

2

Placera Axxkid MINIKID 4 PRO i bilsätet så att bilbarnstolens baksida pekar framåt i bilens färdriktning. Justera benutrymmet för ditt barn genom att flytta bilbarnstolen bakåt eller framåt på bilsätet. Axxkid MINIKID 4 PRO kan monteras tätt mot bilsätets ryggstöd, men får aldrig monteras med klacken (I) hängande ut över kanten på bilsätet. Se till att lodlinjen (J) på klacken (I) aldrig sticker ut över kanten på bilsätet.

Justera bilbarnstolens vinkel genom att välja lämpligt lutningsläge med reglaget för justering av lutningsvinkel (T). För maximal säkerhet, välj en så upprätt position som möjligt och säkerställ att barnets huvud inte faller framåt när barnet sover. Av såväl komfort- som säkerhetsskäl bör lutningsvinkeln ställas i en mer upprätt position när barnet har blivit lite större. Observera att när de nedre fästbanden (N) spänns kommer bilbarnstolen att få en lite större lutning eftersom den då sjunker ner i bilsätets sittdyna. Vid montering av Axxkid MINIKID 4 PRO i passagerarsätet fram kan bilbarnstolens ryggstöd ha kontakt med instrumentpanelen, men det är inte nödvändigt.

3

Öppna bältesklämman (O). Dra ut en armlängd av bilens säkerhetsbälte och trä det genom öppningen för säkerhetsbältet (D) som är närmast dig. Dra bältet genom bältesklämman (O) och trä det genom öppningen för säkerhetsbältet (D) på motsatt sida. Sätt fast bilens säkerhetsbälte i bälteslåset och dra hårt i axeldelen av bilens säkerhetsbälte för att eliminera slack och spänna fast bilbarnstolen. Ju hårdare du drar, desto hårdare spänns bilbarnstolen fast. Tryck ner bilbarnstolen samtidigt som du drar i bilens säkerhetsbälte för en ännu fastare och stabilare montering. Stäng bältesklämman (O) och lås bilens säkerhetsbälte i position när bilbarnstolen sitter fast ordentligt. Se till att både axel- och höftbältet är fastlåsta i bältesklämman (O). Stäng locket till bältesklämman (P) och dra igen dragkedjan.

4

Fäst metallklämmorna (L) i metallklämmornas kopplingar (K) på vardera sidan av bilbarnstolen (eller fäst metallklämmorna (L) i förankringarna i bilen om nedre förankringar används för monteringen. Se avsnittet **Montera nedre fästband** i den här bruksanvisningen för mer information). Tryck nedåt på ovansidan av bilbarnstolen samtidigt som du spänner de nedre fästbanden (N). Genom att spänna de nedre fästbanden (N) ställer du också in bilbarnstolens slutliga lutningsvinkel. Fortsätt att trycka ned och spänna bilbarnstolen tills den sitter fast ordentligt och har lämplig lutningsvinkel.

5

Dra ut stödbenet (Q) från bilbarnstolen. Tryck på stödbenets knapp (R) och dra stödbenet (Q) nedåt tills det är i kontakt med bilgolvet. Släpp upp stödbenets knapp (R) och lyft upp bilbarnstolen för att ytterligare förlänga stödbenet (Q) tills du hör ett klick. Stödbenet (Q) bör nu vara låst och ordentligt pressat mot bilgolvet. Se till att stödbenet (Q) har en vinkel på cirka 10° mot bilens front. Kontrollera bilens säkerhetsbälte igen för att försäkra dig om att det är ordentligt fastspänt/att inget slack har uppstått i höftbältet när du spände de nedre fästbanden och stödbenet. Om bilens säkerhetsbälte slackar lite spänner du bara det genom att upprepa steg 2 i denna bruksanvisning utan att lossa de nedre fästbanden.

6

För in ASIP-skyddet (H) i spåren på ASIP-kopplingen (M) och för nedåt så klickar ASIP-skyddet (H) på plats. Om det finns ett plastskydd på ASIP-kopplingen (M) tar du bort det och sätter det på ASIP-kopplingen (M) på den motsatta sidan av stolen innan du monterar ASIP-skyddet (H). Se till att ASIP-skyddet (H) är fäst på den sida av Axxkid MINIKID 4 PRO-bilbarnstolen som är närmast bildörren.



Spänna fast barnet i bilbarnstolen Axxkid MINIKID 4 PRO

Innan du spänner fast ditt barn i bilbarnstolen Axxkid MINIKID 4 PRO ska du se till att korrekt inlägg är monterat i stolen. Axxkid MINIKID 4 PRO är utformad för att växa med ditt barn och för att garantera en bekväm och säker passform för alla barn. Axxkid rekommenderar att du använder inlägget tills passformen är för snäv för ditt barn. Minimilängden enligt tabellen nedan ska dock respekteras (observera att åldern endast är en indikation):

Ålder	Längd	
Småbarn 0–3 år	61–105 cm	
Barn 3–7 år	106–125 cm	

Axxkid MINIKID 4 PRO har ett justerbart huvudstöd (A). Se avsnittet **om justering av huvudstödet** för mer information.

7

Justera huvudstödet (A) till en ungefärlig position för ditt barn.

8

Lossa bältet genom att trycka på bältets frigöringsknapp (E) och dra ut båda axelbanden (S) på samma gång. Undvik att endast dra i ett band i taget eftersom det kan leda till att axelbanden (S) blir ojämn.

9

Lås upp bältesspännnet genom att trycka på spännets frigöringsknapp (C) och placera banden utanför stolen.

10

Sätt barnet i bilbarnstolen och lägg axelbanden (S) över barnets axlar. Dra och håll i låsreglaget för huvudstödet (G) för att låsa upp och hålla huvudstödet upplåst. Tryck ner/dra upp huvudstödet (A) till ett läge där axelbanden är placerade max. 1 cm ovanför barnets axlar. Lås bältet genom att först sätta ihop spännets delar som är fästa i axelbanden (S) och tryck sedan in dem i spännnet tills du hör ett klickjud.

11

Dra i axelbanden (S) för att dra åt bältet över barnets höfter. Samtidigt som du behåller spänningen i axelbanden (S) drar du bältets spännband (F) rakt ut från bilbarnstolen tills bältet är tillräckligt åtdraget. Du ska inte kunna föra in mer än ett finger mellan axelbanden (S) och barnets axlar.



Justera huvudstödet

Axkid MINIKID 4 PRO har ett justerbart huvudstöd (A).

Se alltid till att huvudstödet är i rätt höjd för barnet när du använder din Axkid MINIKID 4 PRO-bilbarnstol. Kontrollera att axelbanden (S) löper rakt genom bilbarnstolen från barnets axlar eller högst 1 cm ovanför. Om inte, justera huvudstödet (A) i enlighet därmed.

Obs! Bältesspänningen måste släppas om huvudstödet inte kan dras upp till lämplig höjd. Tryck på bältets frigöringsknapp (E) för att lossa bältet.



Ta ut bilbarnstolen Axkid MINIKID 4 PRO ur bilen

- Dra upp dragkedjan och öppna locket till bältesklämman (P). Lås upp bilbältet genom att trycka in den röda knappen på bälteslåset. Öppna bältesklämman (O) och dra i bilbältet och för det sedan genom öppningarna för bältet (D) och ta bort det från bilbarnstolen.
- Lås upp de nedre fästbanden (N) genom att hålla kopplingarna i handen och trycka in den grå knappen med tummen. Tryck långsamt för att förlänga de nedre fästbanden medan du håller kopplingen i handen.
- Tryck på knappen för stödbenet (R) och komprimera stödbenet (Q) till dess kortaste position.
- Fäll reglaget för justering av lutningsvinkeln (T) till hopfällt läge. Lyft ut Axkid MINIKID 4 PRO ur bilen.

Tips: Lås bältesspännet och spänn bältet innan du tar ut bilbarnstolen ur bilen. Då kan du använda axelbanden (S) som bärhandtag, vilket gör det enklare att lyfta ut bilbarnstolen och ta den med dig utanför bilen.

Viktigt: Bär aldrig bilbarnstolen i huvudstödet (A).

Återvinning av bilbarnstolen



Axkid rekommenderar starkt att gamla bilbarnstolar återvinns. Innan du slänger bilbarnstolen på återvinningscentralen ska du skära av banden till selen från stolen. Ta därefter av klädseln. Ta även bort så många frigolitdelar som möjligt och om möjligt även separata metall- och plastdelar. Själva stolen ska märkas upp som osäker eller utgången (använd en märkpenna) så att ingen annan använder den. Kontrollera din kommuns riktlinjer för hur olika material ska återvinnas.



Skötsel och underhåll

Sätets tygklädsel kan tvättas i maskin på 30 °C handtvättsprogram. Torka inte i torktumlare, det kan skada klädseln och vadderingen kan lossna från tyget. På www.axkid.com finns filmer som visar hur man tar av och sätter tillbaka klädseln.

Om tygklädseln behöver bytas ut, använd endast originalprodukter från Axkid. Om andra produkter används kan Axkid-bilbarnstolens säkerhetssystem försämrats, vilket kan orsaka svåra personskador vid en olycka.

Alla plastdelar på Axkid-bilbarnstolen kan rengöras med mildt rengöringsmedel och vatten. Använd inte starka kemikalier som innehåller lösningsmedel och liknande, eftersom det kan skada plasten och försämrar bilbarnstolens säkerhet.

Ta bort tygklädseln:

- Ta bort ASIP-skyddet (H) om ett sådant är monterat.
- Dra huvudstödet (A) till det översta läget. Lossa bältet genom att trycka på bältets frigöringsknapp (E) och dra ut båda axelbanden (S) på samma gång.
- Öppna de båda dragkedjorna på undersidan av huvudstödet (A) och dra försiktigt av klädseln från huvudstödet (A).
- Sänk huvudstödet (A) till det nedersta läget.
- Lås upp bältesspännet genom att trycka på spännets frigöringsknapp (C) och ta bort bältesspännets skydd.
- Öppna dragkedjan och locket till bältesklämman (P) och ta bort plastlocket från tygklädseln.
- Knäpp upp de fyra knapparna på tygklädseln på baksidan av bilbarnstolen.
- Öppna de båda dragkedjorna på ryggstödet på bilbarnstolens insida och dra försiktigt av tygklädseln från bilbarnstolen. Var försiktig i närheten av ASIP-skyddet och andra plastskydd så att inte tyget skadas. Dra inte för hårt.
- Öppna axelkuddarna och ta försiktigt bort dem från kardborrbandet.

Montera tygklädseln:

- Utför stegen i instruktionen ovan i omvänd ordning för att montera tygklädseln på bilbarnstolen igen.

Obs! Axelkuddarna kan placeras i olika positioner. Placera dem i en position som passar ditt barn. Axelkuddarna ska placeras på barnets axel och bröst. Se även till att gummisidan på axelkudden är vänd mot barnets bröst.

Garanti

Axkid-bilbarnstolen omfattas av en 24 månaders garanti som gäller från inköpsdatumet. Spara kvittot och ta med det till återförsäljaren vid en eventuell reklamation.

Garantin gäller inte i följande fall:

- Vid normalt slitage.
- Skada till följd av felaktig användning, försummelse eller olycka.
- Reparationer som utförts av tredje part.
- Alla material har hög motståndskraft mot UV-strålning. UV-strålning från solen är emellertid mycket stark och gör att tyget bleks. Detta omfattas inte av garantin utan anses vara normalt slitage.
- Hantera sätet med försiktighet. Bär aldrig bilbarnstolen i huvudstödet (A).

Takk for at du har valgt Axxkid MINIKID 4 PRO

Les denne bruksanvisningen før du monterer bilstolen i kjøretøyet ditt.
Du finner mer informasjon og monteringsvideoer på www.axkid.com.

Axxkid MINIKID 4 PRO er en bakovervendt bilstol godkjent for barn med en høyde mellom 61–125 cm, ≤36 kg

Axxkid MINIKID 4 PRO er egnet for bruk fra ca. seks måneder, eller fra barnet ditt kan sitte uten støtte.

Dette er et integrert, kjøretøyspesifikt, beltebasert og forbedret barnesikringssystem. Systemet er godkjent i henhold til FN-regulativ nr. 129 for bruk i kompatible seteplasser som angitt i kjøretøylisten. Er du usikker, ber vi deg kontakte produsenten av barnesikringssystemet (www.axkid.com) eller forhandleren.

Viktig informasjon

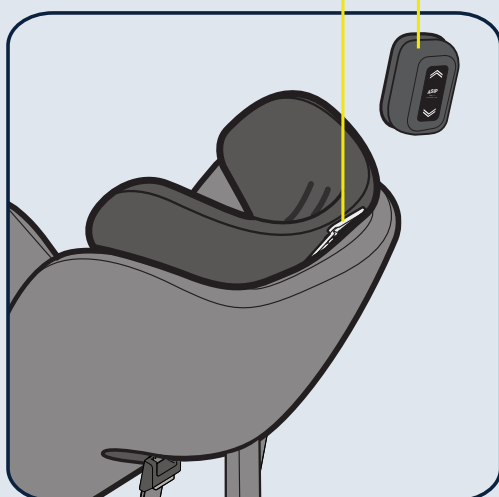
For at barnet skal være maksimalt beskyttet er det viktig å huske følgende:

- Følg alltid instruksjonene i denne bruksanvisningen. Feilaktig montering kan få alvorlige følger for barnets sikkerhet. Er du usikker, ber vi deg kontakte forhandleren for å få en demonstrasjon av riktig montering.
- Ta vare på denne bruksanvisningen for fremtidig referanse. Skulle du miste bruksanvisningen, finner du den på www.axkid.com
- Ikke bruk bilstolen på en seteplass der det er montert en aktiv frontkollisjonspute. Hvis du likevel ønsker å montere bilstolen i dette setet, må kollisjonsputen deaktiveres i henhold til kjøretøyproduzentens anvisninger.
- Hvis du blir utsatt for en ulykke, må bilstolen alltid skiftes ut, uansett hvor alvorlig ulykken er. Den kan ha skader som ikke er synlige, og som kan få alvorlige følger for barnets sikkerhet. Derfor anbefaler Axxkid at du ikke kjøper en brukt bilstol.
- Hvis bilstolen har vært utsatt for direkte sollys, må du kontrollere at den ikke er varm før du setter barnet i stolen.
- Gå aldri fra barnet uten tilsyn i kjøretøyet.
- Sørg for at bagasje eller løse gjenstander er sikret i kjøretøyet, fordi de kan skade passasjerer i en eventuell ulykke.
- Sørg for å montere bilstolen slik at ingen deler kan sette seg fast i regulerbare seter, bildører og lignende.
- Hvis du bruker de nedre festestroppene, må du kontrollere at de er montert på en måte som ikke forstyrrer bevegelsen til noen av bilsetene.
- Denne bilstolen skal bare monteres bakovervendt.
- Sørg alltid for at selen justeres slik at den passer til barnets kropp. Selen justeres ved å flytte hodestøtten.
- Sørg for at barnets rygg skyves mot bilstolen når du spenner fast barnet med selen.
- Sørg alltid for at selen er godt strammet mot barnet og at spennen er helt låst. Det skal ikke være mulig å klemme stroppene sammen.
- Sørg for at selen ikke er vridd.
- Sørg alltid for at støttebeinet står i riktig posisjon og har kontakt med gulvet i kjøretøyet. Støttebeinet er en viktig sikkerhetsfunksjon som er designet for å gi barnet maksimal sikkerhet i en ulykke.
- Ikke forsøk å demontere eller endre noen deler av bilstolen. Det kan gå utover garantien og sikkerheten til bilstolen.
- Bilstolen skal aldri brukes uten tekstiltrekket. Tekstiltrekket er en sikkerhetsfunksjon og må bare skiftes ut med et originalt tekstiltrekk fra Axxkid.
- Les i brukerhåndboken til kjøretøyet, samt kjøretøylisten på www.axkid.com for å finne egnede plasseringer av bilstolen.
- Axxkid anbefaler at du alltid bruker setebeskyttelse for å beskytte bilsetet mot riper og smuss.
- Er du usikker, ber vi deg kontakte forhandleren der bilstolen ble kjøpt, eller kontakte info@axkid.com

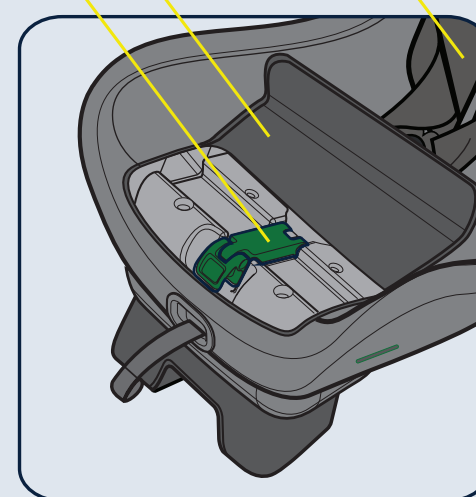
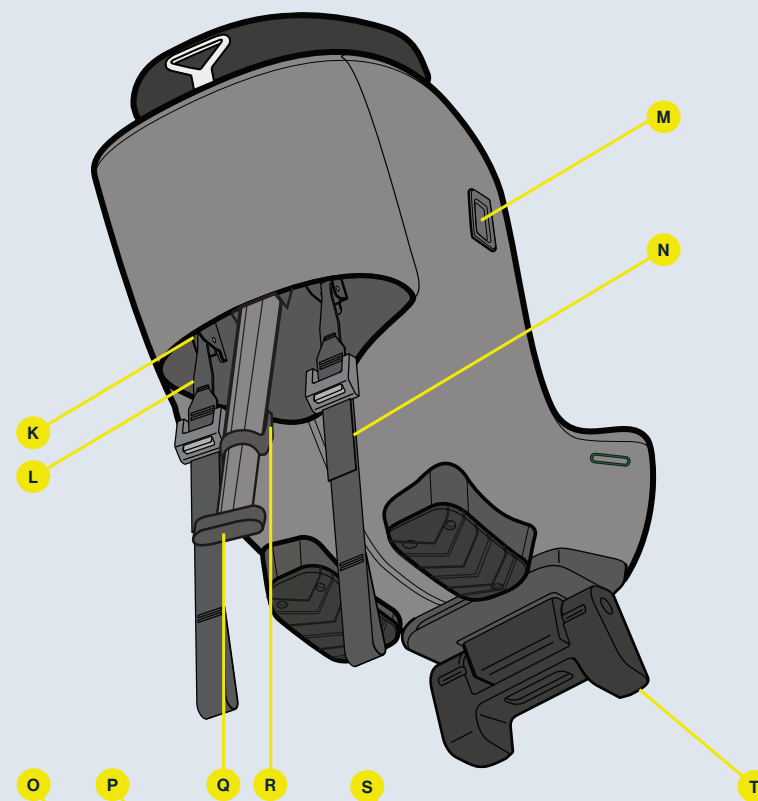
Innholdsfortegnelse

Deler	104
Tillatte og ikke tillatte plasseringer av bilstolen Axxkid MINIKID 4 PRO	106
Nedre forankringer	106
Montere nedre festestropper	107
Montere bilstolen Axxkid MINIKID 4 PRO i kjøretøyet	108
Feste barnet i bilstolen Axxkid MINIKID 4 PRO	109
Justering av nakkestøtten	110
Demontere bilstolen Axxkid MINIKID 4 PRO fra kjøretøyet	110
Stell og vedlikehold	111
Garanti	111

Deler



- A** NAKKESTØTTE
- B** INTEGRERT SELE
- C** UTLØSERKNAPP FOR SPENNE
- D** SPOR TIL BILBELTE
- E** UTLØSERKNAPP FOR SELE
- F** STRAMMESTROPP TIL SELE
- G** BREMSESPAK FOR NAKKESTØTTE
- H** ASIP-BLOKK
- I** HÆL
- J** LODDRETT SPOR



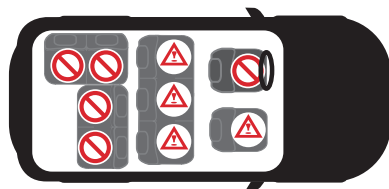
- K** METALLKLIPSFESTE
- L** METALLKLIPS
- M** ASIP-FESTE
- N** NEDRE FESTESTROPP
- O** BELTESPENNE
- P** LOKK OVER BELTESPENNE
- Q** STØTTEBEIN
- R** KNAPP FOR STØTTEBEIN
- S** SKULDERSTROPP
- T** JUSTERING AV SITTEVINKEL



Tillatte og ikke tillatte plasseringer av bilstolen Axxkid MINIKID 4 PRO

Bilstolen Axxkid MINIKID 4 PRO kan bare monteres bakovervendt. Den passer i de fleste, men ikke alle sittestillinger. Sjekk kjøretøyets instruksjonsbok for å finne egnede sittestillinger, og sjekk kjøretøylisten på www.axxkid.com

Passasjerseate foran (uten aktiv kollisjonspute)	JA/NEI*
Passasjerseate foran (med aktiv kollisjonspute)	NEI
Bakre passasjerseate med 3-punkts sikkerhetsbelte	JA
Sete med topunks-bilbelte	NEI
Side- og bakovervendte seter	NEI



VIKTIG: Hvis du ønsker å montere bilstolen Axxkid MINIKID 4 PRO et sted der det er montert frontkollisjonspute, må kollisjonsputen kobles fra i henhold til kjøretøyproduzentens anvisninger. Merk at noen kjøretøy krever at et autorisert servicesenter kobler fra kollisjonsputen.

* Paragraf 117 i den generelle trafikkforskriften i Spania fastslår at det er forbudt å kjøre med barn med en kroppshøyde under 135 centimeter i kjøretøyets forseter, og dette gjelder uten unntak.



Nedre forankringer Viktig informasjon

Nedre forankringer (LTA) brukes til å forbedre beskyttelsen av barn i biler ved å gi en fast og stabil montering for utvidede, bakovervendte og beltefestede bilstoler. Dette øker sikkerheten for barnet ditt i alle typer kollisjoner, inkludert rulleulykker og påkjøring bakfra.

Lavere festepunkter er en veletablert metode som har vært mye brukt i Norden i over 40 år. I 2020 ble en ny internasjonal standard for LTA, ISO13216-4:2020, utgitt. Denne standarden beskriver kravene til lavere festepunkter for bilbarnestoler, men også for kjøretøyproduksjon og deres forankringspunkter. Hensikten er å forbedre kompatibiliteten og sikre en trygg og enkel monteringsmåte for fremtiden.

Axxkid MINIKID 4 PRO har to nedre festestropper for montering i biler med eller uten nedre forankringer. De nedre festestroppene er i tråd med ISO13216-4:2020, noe som sikrer en perfekt passform og enkel montering i kjøretøy med forhåndsmonterte nedre forankringer som også overholder denne standarden. Hvis kjøretøyet ditt har forankringspunkter som ikke overholder standarden, er det fortsatt mulig, men ikke garantert, at de nedre festestroppene til Axxkid MINIKID 4 PRO passer. Forhåndsinstallerte nedre forankringer i kjøretøy finnes ofte på seteskinnene festet til gulvet, men andre posisjoner brukes også. Se bruksanvisningen for kjøretøyet hvis du vil ha mer informasjon om brukbare forankringspunkter.

Axxkid MINIKID 4 PRO kommer med alt du trenger for å montere bilstolen i kjøretøyet. Imidlertid kan nedre forankringer og ekstra nedre festestropper kjøpes separat og vil gjøre monteringen raskere og enklere i flere biler. Noen kjøretøyproducenter tilbyr også muligheten for ettermontering av nedre forankringer. Kontakt kjøretøyproduzentens eller -forhandleren for mer informasjon. Axxkid ettermontering av nedre forankringer og ekstra nedre festestropper kan kjøpes separat.

Merk: Bruk aldri Axxkid MINIKID 4 PRO uten de nedre festestroppene. De er en viktig sikkerhetsfunksjon og må alltid brukes når du monterer bilstolen.



Montere nedre festestropper

Bruk alltid to forankringspunkter når du monterer Axxkid MINIKID 4 PRO. Velg forankringspunkter som er separert, da dette gir en mer stabil montering. Avhengig av kjøretøyet og seteposisjonen der du velger å montere bilstolen, kan du bruke forskjellige forankringspunkter. Se nedenfor for alternativer.

Alternativer for føring av nedre festestropp

- alt. **a** Monter festestroppen rundt seteskinen foran bilstolen ved å tre festestroppen mellom seteskinen og bilgulvet eller gjennom passende hull på seteskinen.
- alt. **b** Monter festestroppen rundt hengslet på bilsetet foran bilstolen ved å tre festestroppen inn mellom seteryggen og seteputen.
- alt. **c** Monter festestroppen rundt seteskinen under bilstolen ved å tre festestroppen mellom seteskinen og bilgulvet eller gjennom passende hull på seteskinen.
- alt. **d** Monter den nedre festestroppen på et egnet forankringspunkt bak i kjøretøyet og før festestroppen under bilsetet mot fronten av kjøretøyet. Pass på at den nedre festestroppen kommer ut fra forsiden av setet og ikke ut fra sidene.
- alt. **e** Når du monterer Axxkid MINIKID 4 PRO i passasjerseate foran, skal festestroppen føres rundt nærmeste egnede forankringspunkt slik at stroppene kan strammes helt. Forankringspunkter som er lengre bak, kan brukes. Ved behov kan festestroppen krysses over og sløyfes sammen med en annen festestropp.

Merk: Sørg alltid for at en endring av posisjonen til et bilsete ikke forstyrrer eller skader de monterte nedre festestroppene.

Merk: Bruk aldri skarpe gjenstander for å hjelpe til med å føre festestroppene da det kan skade festestroppene.



LTA Ved montering av Axxkid MINIKID 4 PRO med nedre forankringer (LTA – lower tether anchorages) kan den nedre festestroppen (N) sløyfes rundt metallklipsfestet (K). Og metallklipsen (L) skal kobles til den nedre forankringen.



Montere bilstolen Axxkid MINIKID 4 PRO i kjøretøyet

Før du monterer Axxkid MINIKID 4 PRO, må du kontrollere at du har montert nedre festestropper eller forankringer i kjøretøyet. Se avsnittet om **Nedre forankringer** og **Montere nedre festestropper** i denne anvisningen for mer informasjon og monteringsinstruksjoner.

1 Åpne glidelåsen og åpne lokket over beltespennen (P).

2 Plasser Axxkid MINIKID 4 PRO i kjøretøyet med ryggen vendt mot kjøretøyet front. Juster beinplassen for barnet ved ganske enkelt å flytte bilstolen frem og tilbake på bilsetet. Axxkid MINIKID 4 PRO kan monteres tett mot seteryggen, men må aldri monteres med hælen (J) hengende over kanten av bilsetet. Pass på at det lodrette sporet (J) på hælen (I) aldri går over kanten av bilsetet.

Juster vinkelen på bilstolen ved å velge en passende sittevinkel med justeringshendelen for sittevinkel (H). For maksimal sikkerhet velger du en posisjon så oppreist som mulig, samtidig som du sikrer at barnets hode ikke faller fremover når det sover. Av både komfort og sikkerhetsmessige årsaker bør sittevinkelen justeres til en mer oppreist posisjon etter hvert som barnet vokser. Vær oppmerksom på at når du strammer de nedre festestroppene (N), vil bilstolen bli litt mer tilbakelemt når den synker inn i kjøretøyet setepute. Når du monterer Axxkid MINIKID 4 PRO i passasjeret foran, kan baksiden av bilstolen være i kontakt med dashbordet, men det er ikke nødvendig.

3 Åpne beltespennen (O). Trekk ut en armlengde av bilbeltet og tre det gjennom åpningen (D) for bilbeltet nærmest deg. Før beltet gjennom beltespennen (O) og sporet (D) for bilbeltet på motsatt side. Koble bilbeltet til beltespennen og trekk hardt på skulderdelen av bilbeltet for å fjerne all frigang og for å feste bilstolen. Jo hardere du trekker, jo fastere montering. For å gi en enda mer fast og stabil montering trykker du bilstolen ned mens du trekker i bilbeltet. Når bilstolen er godt festet, lukker du beltespennen (O) og låser bilbeltet på plass. Pass på at både skulder- og hoftebeltet er låst sammen i beltespennen (O). Lukk lokket over beltespennen (P) og lukk glidelåsen.

4 Fest metallklipsene (L) til metallklipsfestene (K) på hver side av bilstolen (eller koble metallklemmene (L) til forankringene i kjøretøyet hvis nedre forankringer brukes til montering. Se avsnittet **Montere nedre festestropper** i denne anvisningen for mer informasjon). Trykk ned på toppen av bilsetet mens du strammer de nedre festestroppene (N). Ved å stramme de nedre festestroppene (N) stiller du også inn den endelige sittevinkelen til bilstolen. Fortsett å skyve ned og stramme bilstolen til den er godt festet og du har oppnådd en passende sittevinkel.

5 Trekk støttebeinet (Q) ut av bilstolen. Trykk inn knappen på støttebeinet (R) og trekk støttebeinet (Q) nedover til det er i kontakt med gulvet i kjøretøyet. Slipp knappen for støttebeinet (R) og løft bilstolen oppover for å forlenge støttebeinet (Q) ytterligere til du hører et klikk. Støttebeinet (Q) skal nå være låst og stå fast mot gulvet i kjøretøyet. Sørg for at støttebeinet (Q) er vinklet ca. 10° mot forsiden av kjøretøyet. Kontroller bilbeltet igjen for å forsikre deg om at det fortsatt er godt strammet og at det ikke har oppstått slakk i hoftebeltet mens du strammer de nedre festestroppene og støttebeinet. Hvis bilbeltet har mistet litt spenning, bare stram det på nytt ved å gjenta trinn 2 i denne veiledningen uten å koble fra de nedre festestroppene.

6 Skyv ASIP-blokken (H) inn i sporene på ASIP-festet (M), og skyv nedover. ASIP-blokken (H) klikker på plass. Hvis det er et plastdeksel på ASIP-festet (M), fjerner du det og plasserer det på ASIP-koblingen (M) på motsatt side av stolen før du monterer ASIP-blokken (H). Kontroller at ASIP-blokken (H) er festet på siden av bilstolen Axxkid MINIKID 4 PRO som er nærmest bildøren.



Feste barnet i bilstolen Axxkid MINIKID 4 PRO

Før du spenner barnet fast i bilstolen Axxkid MINIKID 4 PRO, må du kontrollere at de korrekte innleggene er montert i stolen. Axxkid MINIKID 4 PRO er konstruert med tanke på å vokse med barnet og sørge for at alle barn sitter behagelig og sikkert. Axxkid anbefaler å bruke det relevante innlegget til det blir for stramt for barnet, men inntil en minimumslengde i henhold til tabellen nedenfor (merk at alderen bare er en indikasjon):

Alder	Høyde	
Smårolling 0–3 år	61–105 cm	
Barn 3–7 år	106–125 cm	

Axxkid MINIKID 4 PRO er utstyrt med justerbar nakkestøtte (A). Se avsnittet **Justering av nakkestøtten** for mer informasjon.

7 Juster nakkestøtten (A) til en omtrentlig posisjon for barnet.

8 Løsne selen ved å trykke på utløserknappen (E) og trekk samtidig ut begge skulderstroppene (S). Unngå å trekke i bare én stropp av gangen da dette kan føre til at skulderstroppene (S) får ulike lengder.

9 Lås opp spennen ved å trykke på utløserknappen for spennen (C), og plasser stroppene utenfor stolen.

10 Plasser barnet i stolen, og legg skulderstroppene (B) over barnets skuldre. Trekk og hold bremsespaken for nakkestøtten (G) for å låse opp og holde nakkestøtten ulåst. Skyv ned / dra opp nakkestøtten (A) til en posisjon der skulderstroppene er plassert maksimalt 1 cm over barnets skuldre. Lås selen ved først å plassere delene av spennen som er festet til skulderstroppene (S), sammen og deretter trykke dem inn i spennen til du hører et klikk.

11 Trekk i skulderstroppene (S) for å stramme selen over barnets hofter. Mens du sørger for at det er spenning i skulderstroppene (S), må du trekke i selens strammestropp (F) til den er stram nok. Du skal ikke kunne få plass til mer enn én finger mellom skulderstroppene (S) og barnets skuldre.



Justering av nakkestøtte

Axkid MINIKID 4 PRO er utstyrt med justerbar nakkestøtte (A).

Sørg alltid for at nakkestøtten er plassert i riktig høyde for barnet ved bruk av Axkid MINIKID 4 PRO-barnestol. Kontroller at skulderstroppene (S) går gjennom stolen rett fra barnets skuldre eller maksimalt 1 cm over. Hvis ikke justerer du nakkestøtten (A) deretter.

Merk: Spenningen i selen må frigjøres hvis nakkestøtten ikke kan trekkes opp til en passende høyde. Trykk på utløserknappen for selen (E) for å løse selen.



Demontere bilstolen Axkid MINIKID 4 PRO fra kjøretøyet

- Åpne glidelåsen og åpne lokket over beltespennen (P). Lås opp bilbeltet ved å trykke på den røde knappen på beltespennen. Åpne beltespennen (O) og trekk bilbeltet gjennom setebeltesporene (D) for å fjerne det fra bilstolen.
- Lås opp de nedre festestroppene (N) ved å holde festene med hånden og trykke på den grå knappen med tommelen. Mens du holder festet i hånden, skyver du sakte for å forlenge de nedre festestroppene.
- Trykk på knappen på støttebeinet (R) og slå sammen støttebeinet (Q) slik at det blir så kort som mulig.
- Fold justeringen av sittevinkel (T) til den foldede posisjonen. Løft Axkid MINIKID 4 PRO ut av kjøretøyet.

Tips: Lås spennen og stram selen før du tar bilstolen ut av kjøretøyet. Du kan deretter bruke skulderstroppene (S) som bærehåndtak, noe som gjør det lettere å løfte ut bilstolen og transportere den utenfor kjøretøyet.

Viktig: Bær aldri stolen ved å holde i nakkestøtten (A).

Resirkulering av bilstolen



Axkid anbefaler på det sterkeste gjenvinning av gamle bilstoler. Før du setter igjen bilstolen på din lokale gjenvinningsstasjon må du klippe av selestroppene, fjerne tekstiltrekket og fjerne så mange isopordeler som mulig. Skill også metall- og plastdeler hvis mulig. Hoveddelen av setet skal være merket som usikkert eller utløpt (bruk en markør) for å avskrekke noen fra å bruke det igjen. Kontroller de lokale retningslinjene for gjenvinning av de forskjellige materialene.



Stell og vedlikehold

Tekstiltrekket til bilstolen kan vaskes i maskin ved 30°C på et skånsomt program. Trekket må ikke tørkes i tørketrommel. Det kan skade trekket og gjøre at polstringen løsner fra stoffet. På www.axkid.com finner du videoer som viser hvordan trekket skal tas av og settes på igjen.

Hvis trekket må byttes, må du bare bruke originale produkter fra Axkid. Bruk av andre produkter kan skade sikkerhetssystemet til bilstolen fra Axkid og forårsake alvorlige skader i en eventuell ulykke. Alle plastdelene på bilstolen fra Axkid kan rengjøres med mild såpe og vann. Ikke bruk kraftige kjemikalier som inneholder løsemidler eller lignende, fordi dette kan skade plasten og gjøre bilstolen mindre sikker.

Demontere tekstiltrekket:

- Fjern ASIP-blokken (H) hvis den er montert.
- Trekk nakkestøtten (A) til øverste posisjon. Løsne selen ved å trykke på utløserknappen (E) og trekk samtidig ut begge skulderstroppene (S).
- Åpne de to glidelåsene på undersiden av nakkestøtten (A), og trekk dekslet forsiktig av nakkestøtten (A).
- Senk nakkestøtten (A) til laveste posisjon.
- Lås opp selespennen ved å trykke på utløserknappen for spennen (C) og fjern dekslet.
- Åpne glidelåsen og lokket (P) til beltespennen og fjern plastlokket fra tekstiltrekket.
- Åpne de fire knappene på tekstiltrekket på baksiden av bilstolen.
- Åpne de to glidelåsene på ryggstøtten på innsiden av bilstolen, og fjern tekstiltrekket forsiktig fra bilstolen. Vær forsiktig rundt ASIP-blokken og andre plastdeksler for ikke å skade tekstilet. Ikke dra for hardt.
- Åpne skulderputene og fjern dem forsiktig fra borrelåsen.

Montere tekstiltrekket:

- Reverser trinnene fra instruksjonen ovenfor for å montere tekstiltrekket på bilstolen igjen.

Merk: Skulderputene kan monteres i forskjellige posisjoner. Plasser dem i en posisjon som passer for barnet ditt. Skulderputene skal plasseres på toppen av skulderen og på barnets bryst. Pass også på at gummisiden av skulderputen vender mot barnets bryst.

Garanti

Bilstolen fra Axkid leveres med en 24-måneders garanti fra kjøpsdatoen. Ta vare på kvitteringen, og ta den med til stedet der bilstolen ble kjøpt ved en eventuell reklamasjon.

Garantien dekker ikke:

- Normal slitasje.
- Skader som skyldes feil bruk, forsømmelser eller ulykker.
- Reparasjoner som er utført av tredjepart.
- Alle materialer som er brukt, er svært UV-bestandige. Men UV-lys er svært aggressivt, og vil til slutt føre til at setetrekket falmer. Dette dekkes ikke av garantien, siden det anses som normal slitasje.
- Håndter setet forsiktig. Bær aldri stolen ved å holde i nakkestøtten (A).

Tak, fordi du har valgt Axxkid MINIKID 4 PRO

Læs denne brugsanvisning, før du installerer autostolen i din bil.
Du kan finde flere oplysninger og installationsvideoer på www.axxkid.com.

Axxkid MINIKID 4 PRO er en bagudvendt autostol, som er godkendt til børn med en højde på 61-125 cm og en vægt på ≤36 kg.

Axxkid MINIKID 4 PRO er velegnet til brug fra cirka 6-måneders alderen, eller når barnet kan sidde oprejst uden støtte.

Produktet er et integreret specifikt børnefastspændingssystem til biler. Det er godkendt i henhold til FN-regulativ nr. 129 til brug på kompatible siddepladser i de biler, der er anført på listen over biler. Hvis du er i tvivl, kan du kontakte producenten af børnefastspændingssystemet (www.axxkid.com) eller forhandleren.

Vigtige oplysninger

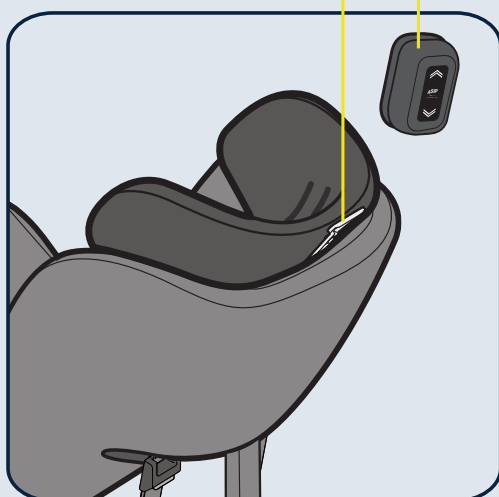
Vær opmærksom på følgende af hensyn til barnets sikkerhed:

- Følg altid instruktionerne i denne vejledning. Forkert installation kan have alvorlige konsekvenser for dit barns sikkerhed. Hvis du er i tvivl, skal du kontakte forhandleren, som kan vise, hvordan du foretager korrekt installation.
- Gem denne vejledning til senere brug. Hvis vejledningen bliver væk, kan du finde den online på www.axxkid.com
- Autostolen må ikke bruges på en siddeplads, hvor der er monteret en aktiv frontairbag. Hvis du alligevel gerne vil installere autostolen på denne plads, skal airbaggen deaktiveres i henhold til bilproducentens anvisninger.
- Hvis du skulle komme ud for en ulykke, skal autostolen altid udskiftes, uanset hvor lille ulykken er. Der kan opstå skader, som ikke er synlige, og som kan have alvorlige konsekvenser for dit barns sikkerhed. Derfor anbefaler Axxkid, at man ikke køber brugte autostole.
- Hvis autostolen har været udsat for direkte sollys, skal du sørge for, at autostolen ikke er for varm, før du sætter dit barn i den.
- Efterlad aldrig dit barn i bilen uden opsyn.
- Sørg for, at eventuel bagage eller løse genstande er sikret i bilen, da de kan forårsage personskade i tilfælde af en ulykke.
- Sørg for, at autostol er monteret således, at ingen dele kan sætte sig fast i bevægelige sæder, bildøre etc.
- Hvis du bruger nedre forankringsstroppe, skal du sørge for, at de monteres på en måde, så de ikke forstyrrer et bilsædes bevægelse.
- Autostolen må kun monteres bagudvendt.
- Sørg altid for, at selen er justeret, så den passer korrekt til barnets krop. Selen justeres ved at flytte nakkestøtten.
- Sørg for, at barnets ryg skubbes mod autostolen, når barnet fastholdes med selen.
- Selen skal altid sidde stramt ind mod barnet, og spændet skal være helt låst. Det bør ikke være muligt at trække ud i stropperne.
- Sørg for, at selen ikke er snoet.
- Støttebenet skal altid være i den korrekte position og have kontakt til bilens gulv. Støttebenet er en meget vigtig sikkerhedsfunktion, som er designet til at optimere dit barns sikkerhed ved en ulykke.
- Forsøg ikke at adskille eller ændre nogen del af autostolen. Det kan påvirke både garantien på og sikkerheden af autostolen.
- Brug aldrig autostolen uden stofbetrækket. Stolens stofbetræk er en sikkerhedsforanstaltning og må kun udskiftes med et originalt Axxkid-stofbetræk.
- Læs bilens instruktionsbog, og se listen over biler på www.axxkid.com for at finde ud af, hvilke siddepladser der er egnede til denne autostol.
- Axxkid anbefaler altid at bruge en sædebeskytter for at beskytte bilsædet mod skrammer og snavs.
- Hvis du er i tvivl, kan du kontakte den forhandler, hvor autostolen er købt, eller kontakte info@axxkid.com

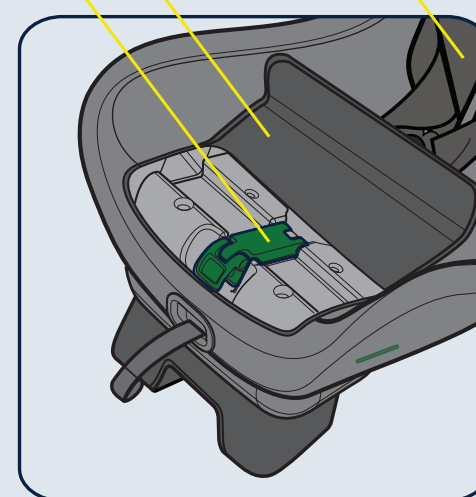
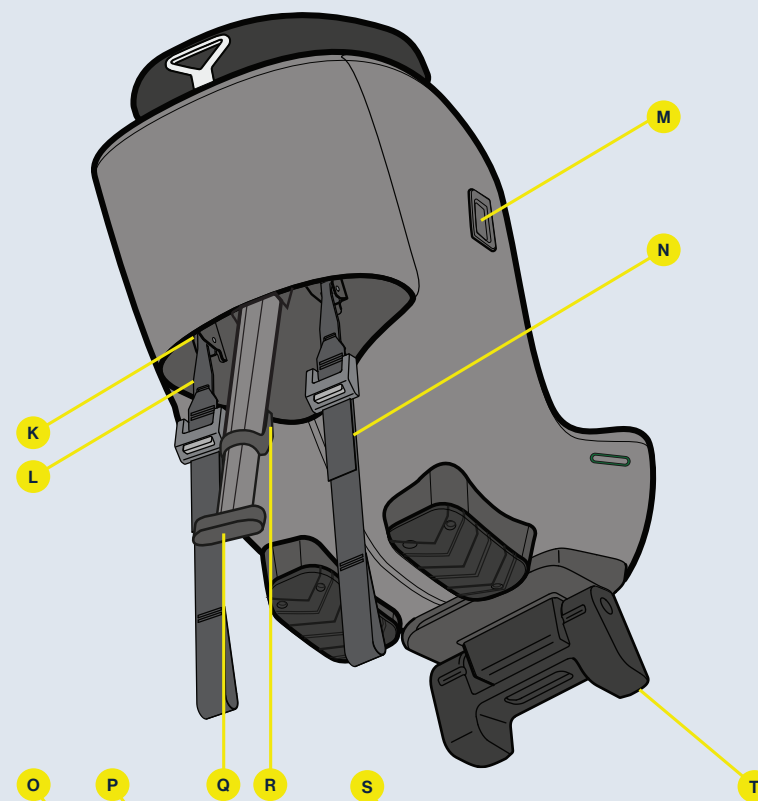
Indholdsfortegnelse

Dele	14
Tilladt og ikke-tilladt placering af Axxkid MINIKID 4 PRO-autostolen	16
Nedre forankringer	16
Installation af nedre forankringer	17
Installation af Axxkid MINIKID 4 PRO-autostolen i bilen	18
Fastspænding af dit barn i Axxkid MINIKID 4 PRO-autostolen	19
Justering af nakkestøtte	20
Udtagning af Axxkid MINIKID 4 PRO-autostolen fra bilen	20
Pleje og vedligeholdelse	21
Garanti	21

Dele



- A** HOVEDSTØTTE
- B** INTEGRERET SELE
- C** SELESPÆNDEUDLØSERKNAP
- D** SELEÅBNING
- E** SELEUDLØSERKNAP
- F** STROP TIL STRAMNING AF SELE
- G** BETJENINGSARM TIL HOVEDSTØTTE
- H** ASIP-PUDE
- I** HÆL
- J** LODRET LINJE



- K** METALCLIPSSTIK
- L** METALCLIPS
- M** ASIP-BESLAG
- N** NEDRE FORANKRING
- O** SELEKLEMME
- P** SELEKLEMMEAFDÆKNING
- Q** STØTTEBEN
- R** KNAP TIL STØTTEBEN
- S** SKULDERSTROP
- T** HÆLDNINGSVINKELJUSTERING



Tilladt og ikke-tilladt placering af Axxkid MINIKID 4 PRO-autostolen

Axxkid MINIKID 4 PRO-autostolen kan kun monteres bagudvendt. Den passer til de fleste, men ikke alle siddepladser. Se bilens instruktionsbog for at finde passende siddepladser, og se listen over biler på www.axxkid.com

Forsæde (uden aktiv airbag)	JA/NEJ*
Forsæde (aktiv airbag)	NEJ
Bagsæde med trepunktssæle	JA
Sæde med topunktssæle	NEJ
Sidesæde og bagudvendte sæder	NEJ



VIGTIGT: Hvis du gerne vil installere Axxkid MINIKID 4 PRO på en position, hvor der er monteret en frontairbag, skal airbaggen deaktiveres i henhold til bilproducentens anvisninger. Bemærk, at nogle biler kræver, at et autoriseret servicecenter deaktiverer airbaggen.

* De generelle trafikbestemmelser i Spanien fastslår i paragraf 117, at det uden undtagelse er forbudt at køre med børn med en højde på 135 cm eller derunder på køretøjets forsæder.



Nedre forankringer Vigtigt

Nedre forankringer (LTA – Lower Tether Anchorages) bruges til at forbedre beskyttelsen af børn i biler ved at sikre en fast og stabil montering af bagudvendte autostole med støtteben, som fastgøres med sikkerhedsselen. Dette øger sikkerheden for barnet ved alle typer kollisioner, herunder ulykker, hvor bilen ruller rundt, samt ved hækollisioner.

At bruge nedre fastgørelsesremme er en veletableret metode, der har været flittigt brugt i de nordiske lande i over 40 år. I 2020 blev en ny international standard for LTA, ISO 13216-4:2020, udgivet. Denne standard beskriver både kravene til nedre fastgørelsesremme på autostole og til forankringspunkter i bilfabrikanternes biler. Formålet er at forbedre kompatibiliteten og opnå en sikker og nem installationsmetode fremover.

Axxkid MINIKID 4 PRO omfatter to nedre forankringer til montering i biler med eller uden nedre forankringer. De medfølgende nedre forankringer er i overensstemmelse med ISO 13216-4:2020, således at de passer perfekt og er nemme at installere i biler med forhåndsinstallerede nedre forankringer, der også overholder denne standard. Hvis din bil har fastgørelsespunkter, der ikke er i overensstemmelse med denne standard, er det stadig sandsynligt, men ikke sikkert, at de nedre fastgørelsesremme på Axxkid MINIKID 4 PRO passer. De forudinstallerede nedre forankringspunkter i biler findes ofte på sædeskinne, der er fastgjort til bilens bund, men der anvendes også andre placeringer. Du kan få nærmere oplysninger om anvendelige fastgørelsespunkter i instruktionsbogen til din bil.

Axxkid MINIKID 4 PRO leveres med alt det, du skal bruge til at montere autostolen i din bil. Det er imidlertid muligt at købe nedre forankringspunkter og ekstra nedre forankringsstropper separat, hvilket vil gøre det hurtigere og lettere at montere autostolen i flere biler. Ved nogle bilproducenter er det også muligt at eftermontere nedre forankringspunkter. Kontakt bilproducenten eller forhandleren for nærmere information. Nedre forankringspunkter og ekstra nedre forankringer fra Axxkid kan købes separat til eftermontering.

Bemærk: Axxkid MINIKID 4 PRO må aldrig anvendes uden de nedre forankringer. De udgør en vigtig sikkerhedsfunktion og skal altid bruges, når du installerer autostolen.



Installation af nedre forankringer

Brug altid to fastgørelsespunkter ved installering af Axxkid MINIKID 4 PRO, og vælg fastgørelsespunkter, der ikke er placeret ved siden af hinanden, da det giver en mere stabil montering. Alt efter hvilken bil du har, og hvor du vælger at installere autostolen, er der forskellige mulige fastgørelsespunkter, du kan bruge. Alternativerne kan ses nedenfor.

Føringsmuligheder for nedre forankringer

- alt. **a** Før forankringen rundt om sædeskinne foran autostolen ved at føre forankringen ind mellem sædeskinne og bunden af bilen eller gennem et velegnet hul i sædeskinne.
- alt. **b** Før forankringen omkring hængslet på bilsædet foran autostolen ved at føre forankringen ind mellem bilsædets ryglæn og sædehynde.
- alt. **c** Før forankringen rundt om sædeskinne under autostolen ved at føre forankringen ind mellem sædeskinne og bunden af bilen eller gennem et velegnet hul i sædeskinne.
- alt. **d** Fastgør den nedre forankring til et passende fastgørelsespunkt bag i bilen, og før forankringen under bilsædet og fremad i bilen. Sørg for, at den nedre forankring kommer ud fra bilsædets forside og ikke ud fra siderne.
- alt. **e** Når du monterer Axxkid MINIKID 4 PRO på passagersædet, skal forankringen vikles rundt om det nærmeste passende fastgørelsespunkt, så stropperne kan strammes helt. Fastgørelsespunkter, der er placeret længere tilbage, kan bruges, og om nødvendigt kan forankringen krydses over og ligeledes føres rundt om en anden forankring.

Bemærk: Sørg altid for, at ændring af et bilsædes position ikke påvirker eller beskadiger de installerede nedre forankringer.

Bemærk: Brug aldrig skarpe genstande som en hjælpe til at føre forankringerne, da dette kan beskadige forankringerne.



Nedre forankringer Når du monterer Axxkid MINIKID 4 PRO ved hjælp af nedre forankringer (LTA – Lower Tether Anchorages), kan den nederste forankring (N) føres rundt om metalclipsstikket (K), og metalclipsen (L) skal forbindes til den nedre forankring.



Installation af Axxid MINIKID 4 PRO-autostolen i bilen

Før du installerer Axxid MINIKID 4 PRO, skal du sørge for, at der er nedre forankringer i din bil. Se afsnittet **Nedre forankringspunkter og Installation af nedre forankringer** i denne vejledning for nærmere information samt for at få en installationsvejledning.

1 Lyn lynlåsen op, og åbn seleklemmeafdækningen (P).

2 Anbring Axxid MINIKID 4 PRO på bilsædet, så bagsiden af autostolen vender mod bilens forende. Tilpas benpladsen til dit barn ved at flytte autostolen frem eller tilbage på bilsædet. Axxid MINIKID 4 PRO kan installeres tæt mod bilsædets ryglæn, men må aldrig monteres således, at hælen (I) hænger ud over kanten af bilsædet. Sørg for, at den lodrette linje (J) på hælen (I) ikke går ud over kanten af bilsædet.

Juster autostolens vinkel ved at vælge en passende hældning med hældningsvinkeljusteringen (T). For at opnå maksimal sikkerhed skal du vælge en position, der er så lodret som muligt, samtidig med at du sikrer, at barnets hoved ikke falder fremover, når det sover. Af hensyn til både komforten og sikkerheden bør hældningsvinklen justeres til en mere lodret position, efterhånden som dit barn vokser. Bemærk, at når du strammer de nedre forankringer (N), vil autostolen blive lidt mere tilbagelænet, da den synker ned i bilsædets polstring. Ved installation af Axxid MINIKID 4 PRO på passagersædet er det muligt, men ikke nødvendigt, at bagsiden af autostolen har kontakt med instrumentpanelet.

3 Åbn seleklemmen (O). Træk en armslængde af bilens sikkerhedssele ud, og før den gennem den seleåbning (D), der er tættest på dig. Før selen gennem seleklemmen (O), og før den gennem seleåbningen (D) på den modsatte side. Sæt tungen på bilens sikkerhedssele ind i sikkerhedsselens spænde, og træk hårdt i skulderdelen af bilens sikkerhedssele for at fjerne al slaphed og for at fastgøre autostolen. Jo mere du trækker, desto strammere bliver installationen. For at gøre monteringen endnu mere stram og stabil skal du trykke ned på autostolen, mens du trækker i skulderselen. Når autostolen er ordentligt fastspændt, skal du lukke seleklemmen (O) og låse bilens sikkerhedssele fast i denne position. Sørg for, at både skulder- og hofseselen er låst sammen i seleklemmen (O). Luk seleklemmeafdækningen (P), og luk lynlåsen.

4 Fastgør metalclipsene (L) til metalclipsstikkene (K) på hver side af autostolen (eller forbind metalclipsene (L) med forankringerne i din bil, hvis der bruges nedre forankringspunkter til monteringen. Se afsnittet **Installation af nedre forankringer** i denne vejledning for nærmere information). Tryk ned øverst på autostolen, mens du spænder de nederste forankringer (N). Ved at stramme de nedre forankringer (N) indstiller du også autostolens endelige hældningsvinkel. Bliv ved med at trykke ned på autostolen og stramme fastgørelsen af den, indtil den sidder godt fast, og du har opnået en passende hældningsvinkel.

5 Træk støttebenet (Q) ud fra autostolen. Tryk på støttebensknappen (R), og træk støttebenet (Q) nedad, indtil det er i kontakt med bunden af bilen. Slip støttebensknappen (R), og løft autostolen opad for at forlænge støttebenet (Q) yderligere, indtil du hører et klik. Støttebenet (Q) bør nu være låst og presset hårdt ned mod bunden af bilen. Sørg for, at støttebenet (Q) er vinklet ca. 10° i retning mod bilens forende. Kontroller bilens sikkerhedssele igen for at sikre, at den stadig er godt spændt, og at der ikke er opstået en løshed i hofseselen i forbindelse med stramning af de nedre fastgørelsesremme og støttebenet. Hvis bilens sikkerhedssele er blevet mindre stram, skal du blot stramme den igen ved at gentage trin 2 i denne vejledning uden at frakoble de nedre forankringer.

6 Pres ASIP-puden (H) ind i hullerne på ASIP-beslaget (M), og skub den nedad. ASIP-puden (H) vil klikke på plads. Hvis der sidder en plastafdækning på ASIP-beslaget (M), skal du fjerne det og placere det på ASIP-beslaget (M) i stolens modsatte side, før du monterer ASIP-puden (H). Sørg for, at ASIP-puden (H) er fastgjort på den side af Axxid MINIKID 4 PRO-autostolen, der er tættest på bildøren.



Fastspænding af dit barn i Axxid MINIKID 4 PRO-autostolen

Før du placerer barnet i Axxid MINIKID 4 PRO-autostolen, skal du sikre dig, at det korrekte indlæg er monteret i stolen. Axxid MINIKID 4 PRO er designet til at vokse med dit barn og sikre, at barnet altid sidder behageligt og sikkert. Axxid anbefaler at bruge indlægget, indtil det er for stramt til barnet, men ud fra en minimumshøjde i henhold til tabellen nedenfor (bemærk, at alderen blot er vejledende):

Alder	Højde	
Lille barn 0-3 år	61-105 cm	
Barn 3-7 år	106-125 cm	

Axxid MINIKID 4 PRO er udstyret med en justerbar hovedstøtte (A). Se afsnittet **Justering af hovedstøtte** for nærmere information.

7 Juster hovedstøtten (A) til en omtrentlig position for dit barn.

8 Løsn selen ved at trykke på selens udløserknop (E), og træk begge skulderstropper (S) ud på samme tid. Undgå kun at trække i én strop ad gangen, da det kan medføre, at skulderstropperne (S) bliver uens.

9 Lås selespændet op ved at trykke på spændets udløserknop (C), og placer stropperne uden for stolen.

10 Anbring barnet i stolen, og placer skulderstropperne (S) over barnets skuldre. Træk og hold i hovedstøttens betjeningsarm (G) for at låse hovedstøtten op, og lad den være ulåst. Tryk hovedstøtten (A) ned / træk den op til en position, hvor skulderstropperne er placeret maksimalt 1 cm over barnets skuldre. Lås selen ved først at samle de dele af spændet, der er fastgjort til skulderstropperne (S), og skub dem derefter ind i spændet, indtil der lyder et klik.

11 Træk i skulderstropperne (S) for at stramme selen hen over barnets hofter. Sørg for at holde skulderstropperne (S) strammet, og træk remmen (F) til stramning af selen lige ud fra autostolen, indtil selen er strammet tilstrækkeligt. Du bør ikke kunne få mere end én finger ind mellem skulderstropperne (S) og barnets skuldre.



Justering af hovedstøtte

Axkid MINIKID 4 PRO er udstyret med en justerbar hovedstøtte (A).

Sørg altid for, at hovedstøtten er placeret i den korrekte højde i forhold til dit barn, når du bruger din Axkid MINIKID 4 PRO-autostol. Kontroller, at skulderstropperne (S) går gennem stolen direkte fra barnets skuldre eller højst 1 cm over. Juster hovedstøtten (A) om nødvendigt.

Bemærk: Selespændingen skal frigøres, hvis hovedstøtten ikke kan trækkes op til en passende højde. Tryk på seleudløserknappen (E) for at løsne selen.



Udtagning af Axkid MINIKID 4 PRO-autostolen fra bilen

- Lyn lynlåsen op, og åbn seleklemmeafdækningen (P). Lås bilens sikkerhedssele op ved at trykke på den røde knap på selespændet. Åbn seleklemmen (O), træk i bilens sikkerhedssele, og før den gennem seleåbningerne (D) for at tage den ud af autostolen.
- Lås de nedre forankringer (N) op ved at holde fast i forbindelseselementerne med hånden og trykke på den grå knap med tommelfingeren. Mens du holder låsen i hånden, skal du langsomt skubbe for at forlænge de nederste forankringer.
- Tryk på knappen til støttebenet (R), og slå støttebenet (Q) sammen til den korteste position.
- Fold hældningsvinkeljusteringen (T), så den er i foldet position. Løft Axkid MINIKID 4 PRO ud af bilen.

Tip: Lås selespændet, og stram selen, før du fjerner autostolen fra bilen. Du kan herefter bruge skulderstropperne (S) som bærehåndtag, hvilket gør det nemmere at løfte autostolen ud af bilen og transportere den.

Vigtigt: Bær ikke autostolen ved at holde i hovedstøtten (A).

Genbrug af din autostol



Axkid anbefaler kraftigt, at gamle autostole afleveres til genbrug. Før du efterlader autostolen på din lokale genbrugsstation, skal du skære selestropperne af sædet, fjerne stofbeklædningen, fjerne så mange flamingodele som muligt samt adskille metal- og plastdele, hvis det er muligt. Sædets primære del skal kendetegnes som værende usikkert eller udløbet (brug en tusch), så ingen vælger at bruge autostolen igen. Tjek de lokalt gældende retningslinjer for genbrugsanvisninger for de forskellige materialer.

Pleje og vedligeholdelse

Stolens tekstilbetræk kan maskinvaskes ved 30° C på et skåneprogram. Kom ikke betrækket i en tørretumbler, da det kan beskadige betrækket, og polstringen kan løsne sig fra stoffet. Besøg www.axkid.com for at finde videoer, der forklarer, hvordan du tager betrækket af og sætter det på igen.

Hvis stolens stofbetræk skal udskiftes, må der kun anvendes originale produkter fra Axkid. Hvis der bruges andre produkter, kan det forringe Axkid-autostolens sikkerhedssystem, hvilket kan medføre alvorlig personskade i tilfælde af en ulykke. Alle plastdele på Axkid-autostolen kan rengøres med mildt rengøringsmiddel og vand. Brug ikke aggressive kemikalier, der indeholder opløsningsmidler eller lignende, da det kan beskadige plasten og nedsætte autostolens sikkerhedsniveau.

Afmontering af stofbetrækket:

- Fjern ASIP-puden (H), hvis den er monteret.
- Træk hovedstøtten (A) til den øverste position. Løsn selen ved at trykke på selens udløserknap (E), og træk begge skulderstropper (S) ud på samme tid.
- Lyn de to lynlåse på undersiden af hovedstøtten (A) op, og træk forsigtigt betrækket af hovedstøtten (A).
- Sænk hovedstøtten (A) til den nederste position.
- Lås selespændet op ved at trykke på spændets udløserknap (C), og fjern selespændets afdækning.
- Lyn lynlåsen op, åbn seleklemmeafdækningen (P), og fjern plastlåget fra stofbetrækket.
- Åbn de 4 knapper på stofbetrækket på bagsiden af autostolen.
- Lyn de to lynlåse ved ryglænet på indersiden af autostolen op, og fjern forsigtigt stofbetrækket fra autostolen. Vær forsigtig omkring ASIP-puden og andre plastafdækninger, så stoffet ikke bliver beskadiget. Sørg for ikke at trække for hårdt.
- Åbn skulderpuderne, og fjern dem forsigtigt fra velcroen.

Montering af tekstilbetrækket:

- Udfør ovenstående trin i omvendt rækkefølge i forbindelse med montering af stofbetrækket på autostolen igen.

Bemærk: Skulderpuderne kan monteres i forskellige positioner. Monter dem i en position, der passer til dit barn. Skulderpuderne skal sidde oven på skuldrene og på barnets bryst. Sørg også for, at skulderpudens gummiside vender mod barnets bryst.

Garanti

Der er 24 måneders garanti på Axkid-autostolen. Sørg for at gemme din kvittering og medbringe den til købsstedet, hvis du har reklamationer i henhold til garantien.

Garantien dækker ikke:

- Normal slitage.
- Skader som følge af forkert brug, tilsidesættelse af anvisninger eller ulykke.
- Hvis der er blevet udført reparationer af en tredjepart.
- Alle anvendte materialer har meget høj UV-bestandighed. UV-lys er dog meget aggressivt og vil i sidste ende medføre, at stolens betræk falmer. Dette dækkes ikke af garantien, da det betragtes som normal slitage.
- Håndter stolen forsigtigt. Bær aldrig autostolen ved at holde i hovedstøtten (A).

Kiitos, että valitsit Axxkid MINIKID 4 PRO -turvaistuimen

Lue nämä käyttöohjeet ennen kuin asennat turvaistuimen ajoneuvoosi. Lisätietoja ja asennusvideoita on osoitteessa www.axkid.com.

Axxkid MINIKID 4 PRO on selkä menosuuntaan asennettava turvaistuin, joka on hyväksytty lapsille, joiden pituus on 61–125 cm ja paino korkeintaan 36 kg

Axxkid MINIKID 4 PRO -istuinta on mahdollista käyttää, kun lapsesi on noin kuuden kuukauden ikäinen tai kun hän kykenee istumaan ilman tukea.

Tämä on integroitu ajoneuvokohtainen, turvavöihin kiinnitettävä parannettu lasten turvaistuinjärjestelmä. Se on hyväksytty YK:n asetuksen nro 129 mukaisesti käytettäväksi yhteensopivissa ajoneuvon istuinpaikoissa ajoneuvoluettelon mukaisesti. Jos olet epävarma, ota yhteyttä joko tehostetun lasten turvajärjestelmän valmistajaan (www.axkid.com) tai jälleenmyyjään.

Tärkeää tietoa

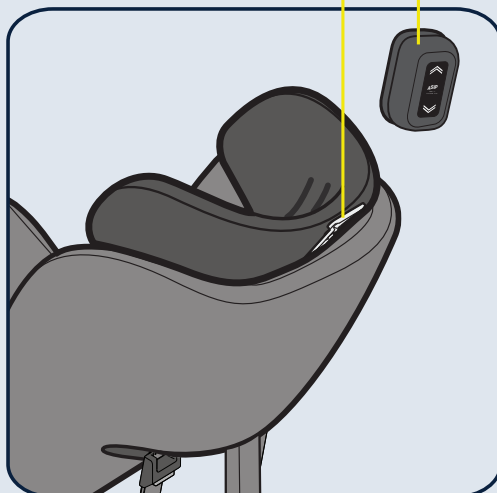
Lapsesi turvallisuuden maksimoimiseksi on tärkeää huomioida seuraavat asiat:

- Noudata aina tämän käyttöohjeen ohjeita. Virheellinen asennus voi vaikuttaa vakavasti lapsesi turvallisuuteen. Jos epäät, ota yhteyttä jälleenmyyjään, joka voi osoittaa oikean asennustavan.
- Säilytä tämä ohjekirja myöhempää käyttöä varten. Jos käyttöohje katoaa, löydät sen verkosta osoitteesta www.axkid.com
- Älä käytä turvaistuinta istuinpaikalla, jossa on aktiivinen etuturvavyö. Jos kuitenkin haluat asentaa turvaistuimen tälle paikalle, turvavyö on kytkettävä pois päältä ajoneuvon valmistajan ohjeiden mukaan.
- Turvaistuin on aina vaihdettava uuteen mahdollisen auto-onnettomuuden sattuessa, vaikka onnettomuus olisikin pieni. Siinä voi olla näkymättömiä vaurioita, jotka voivat vaikuttaa vakavasti lapsesi turvallisuuteen. Tästä syystä Axxkid ei suosittele käytettyjen turvaistuinten ostamista.
- Jos turvaistuin on altistunut suoralle auringonvalolle, varmista ennen lapsen asettamista turvaistuimeen, ettei se ole liian kuuma.
- Älä koskaan jätä lastasi ilman valvontaa ajoneuvoon.
- Varmista, että kaikki matkatavarat tai irtoesineet ovat kiinnitettyinä autossa, sillä ne voivat aiheuttaa onnettomuustilanteessa vammoja matkustajille.
- Varmista, että turvaistuin on kiinnitetty siten, että mitkään osat eivät jää kiinni siirrettävien istuinten alle, oven väliin jne.
- Jos käytät alakiinnitysvöitä, varmista, että ne on asennettu niin, etteivät ne häiritse ajoneuvon istuinten liikettä.
- Tämä turvaistuin voidaan asentaa vain selkä menosuuntaan.
- Varmista aina, että valjaat on säädetty sopimaan oikein lapsesi vartaloon. Valjaita voidaan säätää liikuttamalla päntukea.
- Varmista, että lapsen selkä on painautuneena turvaistuinta vasten, kun kiinnität lapsesi valjaille.
- Varmista aina, että valjaat on kiristetty tiukasti lastasi vasten ja että solki on täysin lukittu. Vöiden kokoonpuristaminen ei saa olla mahdollista.
- Varmista, että valjaat eivät ole kiertyneet.
- Varmista aina, että tukijalka on oikeassa asennossa ja että se koskettaa ajoneuvon lattiaa. Tukijalka on istuimessa erittäin tärkeä turvaominaisuus, ja se on suunniteltu nimenomaan lapsesi turvallisuutta ajatellen.
- Älä yritä purkaa tai muokata mitään turvaistuimen osaa. Tämä voi vaikuttaa turvaistuimen takuuseen ja turvallisuuteen.
- Älä koskaan käytä turvaistuinta ilman kangaspäällistä. Istuimen tekstiilipäällinen on turvaominaisuus, ja sen saa korvata vain alkuperäisellä Axxkid-istuimen tekstiilipäällisellä.
- Katso tälle turvaistuimelle sopivat istuinpaikat ajoneuvon käsikirjasta ja ajoneuvoluettelosta osoitteessa www.axkid.com.
- Axxkid suosittelee, että käytät aina istuinsuojia autosi istuimien suojaamiseksi naarmuilta ja lialta.
- Jos sinulla on kysyttävää, ota yhteyttä turvaistuimen ostopaikkaan tai lähetä sähköpostia osoitteeseen info@axkid.com

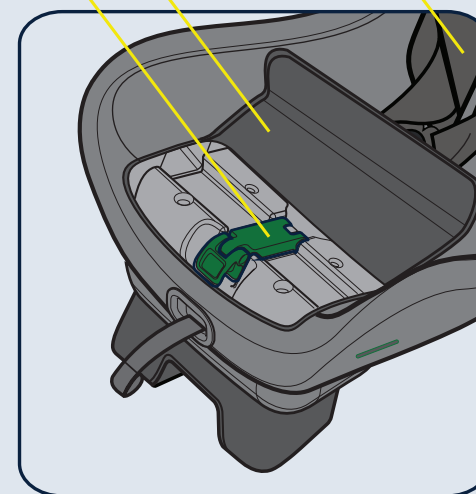
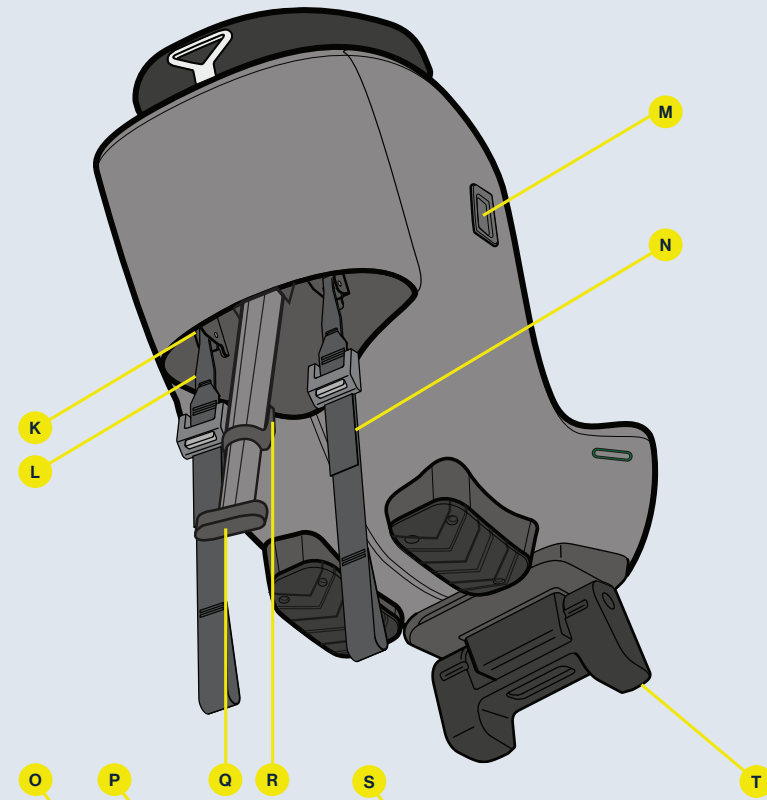
Sisällysluettelo

Osat	124
Axxkid MINIKID 4 PRO -turvaistuimen sallittu ja kielletty sijoittaminen	126
Alakiinnityspisteet	126
Alakiinnitysvöiden asennus	127
Axxkid MINIKID 4 PRO -turvaistuimen asentaminen ajoneuvoon	128
Lapsen kiinnittäminen Axxkid MINIKID 4 PRO -turvaistuimeen	129
Päätuen säädöt	130
Axxkid MINIKID 4 PRO -turvaistuimen irrottaminen ajoneuvosta	130
Hoito-ohjeet	131
Takuu	131

Osat



- A** PÄÄNTUKI
- B** ISTUIMEN VALJAAT
- C** SOLJEN VAPAUTUSPAINIKE
- D** TURVAVYÖAUKKO
- E** VALJAIDEN VAPAUTUSPAINIKE
- F** VALJAIDEN KIRISTYSHIHNA
- G** PÄÄNTUENSÄÄTÖVIPU
- H** ASIP-TYYNY
- I** KOROKE
- J** PYSTYLINJA



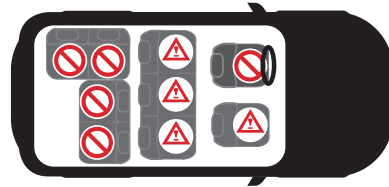
- K** METALLIKIINNIKKEEN LIITIN
- L** METALLIKIINNIKE
- M** ASIP-LIITIN
- N** ALAKIINNITYSVYÖ
- O** VYÖKIINNIKE
- P** VYÖKIINNIKKEEN KANSI
- Q** TUKIJALKA
- R** TUKIJALAN PAINIKE
- S** OLKAVYÖ
- T** KALLISTUSKULMAN SÄÄDIN



Axkid MINIKID 4 PRO -turvaistuimen sallittu ja kielletty sijoittaminen

Axkid MINIKID 4 PRO -turvaistuin voidaan asentaa vain selkää menosuuntaan. Se sopii useimmille, mutta ei kaikille istuinpaikoille. Tarkista sopivat istuinpaikat ajoneuvosi käyttöohjekirjasta ja tarkista ajoneuvoluettelo osoitteessa www.axkid.com

Etumatkustajan istuin (ei päälle kytketty turvatyyny)	KYLLÄ/EI*
Etumatkustajan istuin (päälle kytketty turvatyyny)	EI
Takamatkustajan istuin, jossa on 3-pisteturvavyö	KYLLÄ
Istuin, jossa on 2-pisteturvavyö	EI
Sivu- ja taaksepäin suunnatut istuimet	EI



TÄRKEÄÄ: Jos haluat asentaa Axkid MINIKID 4 PRO -turvaistuimen istuinpaikalle, jossa on etuturvatyyny, turvatyyny on poistettava käytöstä ajoneuvosi valmistajan ohjeiden mukaisesti. Huomaa, että joissakin ajoneuvoissa valtuutetun huoltoliikkeen on kytkettävä turvatyyny pois toiminnasta.

* Espanjan yleisen liikennesäännön 117 artiklassa kielletään poikkeuksetta ajoneuvolla ajaminen enintään 135 cm:n pituisten lasten kanssa ajoneuvon etuistuimilla.



Alakiinnityspisteet Tärkeitä tietoja

Alakiinnityspisteet (LTA) parantavat lasten suojausta ajoneuvoissa tarjoamalla lujan ja vakaan asennuksen turvavyöllä selkää menosuuntaan kiinnitettävälle turvaistuimelle. Tämä lisää lapsesi turvallisuutta kaikentyyppisissä törmäyksissä, mukaan lukien ympäröiväryöhdökset ja takatörmäykset.

Alakiinnitysvyöt on vakiintunut menetelmä, jota on käytetty laajasti Pohjoismaissa yli 40 vuoden ajan. Alakiinnityspisteille julkaistiin vuonna 2020 uusi kansainvälinen standardi, ISO13216-4:2020. Tässä standardissa kuvataan vaatimukset turvaistuimien alakiinnitysvyöille, kuten myös ajoneuvovalmistajille ja niiden kiinnityspisteille. Tarkoituksena on parantaa yhteensopivuuksia ja varmistaa turvallinen ja helppo asennustapa tulevaisuutta varten.

Axkid MINIKID 4 PRO -turvaistuimessa on kaksi alakiinnitysvyötä, jotka voidaan asentaa autoihin, joissa on tai ei ole alakiinnityspisteitä. Turvaistuimeen sisältyvät alakiinnitysvyöt ovat standardin ISO13216-4:2020 mukaisia, mikä varmistaa täydellisen sopivuuden ja helpon asennuksen ajoneuvoihin, joissa on esiasennetut alakiinnityspisteet, jotka ovat myös tämän standardin mukaisia. Jos ajoneuvosi kiinnityspisteet eivät ole standardin mukaiset, Axkid MINIKID 4 PRO -alakiinnitysvyöt saattavat silti sopia niihin, mutta tätä ei voida taata. Ajoneuvojen esiasennetut alakiinnityspisteet ovat usein lattiaan kiinnitetyissä istuinkiskoissa, mutta myös muita sijainteja käytetään. Katso lisätiedot käytettävistä kiinnityspisteistä ajoneuvosi käyttöohjeesta.

Axkid MINIKID 4 PRO sisältää kaiken, mitä tarvitset turvaistuimen asentamiseen ajoneuvoosi. Alakiinnityspisteet ja ylimääräiset alakiinnitysvyöt voidaan hankkia erikseen, ja ne nopeuttavat ja helpottavat asennusta useissa autoissa. Jotkut ajoneuvovalmistajat tarjoavat myös mahdollisuuden alakiinnityspisteiden jälkiasennukseen. Pyydä lisätietoja ajoneuvon valmistajalta tai jälleenmyyjältä. Jälkiasennettavat Axkid-alakiinnityspisteet ja ylimääräiset alakiinnitysvyöt voidaan hankkia erikseen.

Huomaa: Älä koskaan käytä Axkid MINIKID 4 PRO -turvaistuinta ilman alakiinnitysvyöitä. Ne ovat tärkeä turvaominaisuus, ja niitä tulee aina käyttää turvaistuinta asennettaessa.



Alakiinnitysvöiden asennus

Käytä aina kahta kiinnityspistettä, kun asennat Axkid MINIKID 4 PRO -turvaistuimen, ja valitse kiinnityspisteet, jotka ovat erillään toisistaan, sillä näin asennuksesta saadaan vakaampi. Riippuen ajoneuvostasi ja istuinpaikasta, johon haluat asentaa turvaistuimen, on olemassa useita mahdollisia kiinnityspisteitä kiinnitysvöiden asentamiseen. Katso vaihtoehdot alta.

Alakiinnitysvyön reititysvaihtoehdot

a vaihtoehto Asenna vyö turvaistuimen edessä olevan istuimen istuinkiskon ympärille pujottamalla vyö istuinkiskon ja ajoneuvon lattian välistä tai istuinkiskon sopivan reiän läpi.

b vaihtoehto Asenna vyö turvaistuimen edessä olevan istuimen saranan ympärille pujottamalla vyö ajoneuvon istuimen selkänojan ja istuintyynyn välistä.

c vaihtoehto Asenna vyö istuimen alapuolella olevan istuinkiskon ympärille pujottamalla vyö istuinkiskon ja ajoneuvon lattian välistä tai istuinkiskon sopivan reiän läpi.

d vaihtoehto Asenna alakiinnitysvyö sopivaan kiinnityspisteeseen ajoneuvon takaosassa ja vedä vyö ajoneuvon istuimen alta ajoneuvon etuosaan. Varmista, että alakiinnitysvyö tulee ulos istuimen edestä, ei sivuilta.

e vaihtoehto Kun asennat Axkid MINIKID 4 PRO -turvaistuimen etupenkille, vyö tulee kietoa lähimpään sopivaan ankkurointipisteeseen, joka mahdollistaa, että hihnat voidaan kiristää tiukaksi. Kauempana olevaa ankkurointipistettä voidaan käyttää ja tarvittaessa vyöt voidaan laittaa ristiin ja jopa kiertää yhteen.

Huomautus: Varmista aina, että ajoneuvon istuimen asennon muuttaminen ei häiritse tai vahingoita asennettuja alakiinnitysvyöitä.

Huomautus: Älä koskaan käytä teräviä esineitä apuna vöiden reitittämisessä, koska se saattaa vahingoittaa vöitä.



Alakiinnityspisteet (LTA) Kun asennat Axkid MINIKID 4 PRO -turvaistuinta käyttämällä alakiinnityspisteitä (LTA), alakiinnitysvyö (N) voidaan kiertää metallikiinnikkeen liittimen (K) ympärille ja metallikiinnike (L) tulisi kiinnittää alakiinnityspisteeseen.



Axkid MINIKID 4 PRO -turvaistuimen asentaminen ajoneuvoon

Varmista ennen Axkid MINIKID 4 PRO -turvaistuimen asennusta, että ajoneuvossasi on alakiinnitysvyöt tai alakiinnityspisteet. Katso lisätiedot ja asennusohjeet tämän käyttöoppaan **alakiinnityspisteitä** ja **alakiinnitysvöiden asentamista** koskevista kappaleista saadaksesi lisätietoja ja asennusohjeet.

1 Avaa vetoketju ja vyökiinnikkeen kansi (P).

2 Aseta Axkid MINIKID 4 PRO ajoneuvon takaistuimelle selkä menosuuntaan. Säädä lapsesi jalkatilaa liikuttamalla turvaistuinta edestakaisin ajoneuvon istuimella. Axkid MINIKID 4 PRO voidaan asentaa tiukasti ajoneuvon istuimen selkäreunaan vasten, mutta sitä ei saa koskaan asentaa niin, että koroke (I) roikkuu ajoneuvon istuimen reunan yli. Varmista, että korokkeen (I) pystyviiva (J) ei koskaan ylitä ajoneuvon istuimen reunaa.

Säädä turvaistuimen kulmaa painamalla kallistuksen säätövipua (T) ja valitse sopiva kallistusasento. Valitse parhaan turvallisuuden takaamiseksi mahdollisimman pysty asento ja varmista samalla, että lapsesi pää ei putoa eteenpäin lapsen nukahtaessa. Sekä mukavuus- että turvallisuussyistä kallistuskulma tulee säätää enemmän pystyyn lapsen kasvaessa. Huomaa, että alakiinnitysvöitä (N) kiristettäessä turvaistuin kallistuu hieman enemmän sen upotessa ajoneuvon istuintyynyyn. Kun Axkid MINIKID 4 PRO asennetaan etumatkustajan istuimelle, turvaistuimen selkäreuna saattaa koskettaa kojelautaan.

3 Avaa vyökiinnike (O). Vedä ajoneuvon turvavyötä käsivarren pituus ulos ja pujota se itseäsi lähimpänä olevan turvavyöaukon (D) läpi. Vedä vyö vyökiinnikkeen (O) läpi ja pujota se turvavyöaukon (D) läpi vastakkaisella puolella. Yhdistä ajoneuvon turvavyö turvavyön solkeen ja vedä lujasti ajoneuvon turvavyön olkaosasta löyssyyden poistamiseksi ja turvaistuimen kiinnittämiseksi. Mitä kovemmin vedät, sitä napakampi asennus. Jotta asennus olisi entistä tiukempi ja tukevampi, paina turvaistuinta alas samalla, kun vedät turvavyöstä. Kun turvaistuin on kunnolla kiinni, sulje vyökiinnike (O) ja lukitse ajoneuvon turvavyö paikalleen. Varmista, että sekä olka- että lantiovyö on lukittu yhteen vyökiinnikkeeseen (O). Sulje vyökiinnikkeen kansi (P) ja sulje vetoketju.

4 Kiinnitä metallikiinnikkeet (L) turvaistuimen kummallakin puolella oleviin metallikiinnikkeen liittimiin (K) (tai kiinnitä metallikiinnikkeet (L) ajoneuvosi alakiinnityspisteisiin, jos niitä käytetään asennuksessa. Katso lisätietoja tämän oppaan kohdasta **alakiinnitysvöiden asennus**). Paina turvaistuimen yläosaa alapäin samalla, kun kiristät alakiinnitysvöitä (N). Kiristämällä alakiinnitysvyöt (N) asetat myös ajoneuvon istuimen lopullisen kallistuskulman. Jatka turvaistuimen työntämistä ja kiristämistä, kunnes se on tiukasti kiinni ja kallistuskulma on sopiva.

5 Vedä tukijalka (Q) ulos turvaistuimesta. Paina tukijalan painiketta (R) ja vedä tukijalkaa (Q) alaspäin, kunnes se koskettaa ajoneuvon lattiaa. Vapauta tukijalan painike (R) ja nosta turvaistuinta ylöspäin pidentääksesi tukijalkaa (Q), kunnes kuulet napsahduksen. Tukijalan (Q) pitäisi nyt olla lukittuna ja tiukasti ajoneuvon lattiaa vasten. Varmista, että tukijalka (Q) on noin 10° kulmassa ajoneuvon keulaa kohti. Tarkasta ajoneuvon turvavyö uudelleen varmistaaksesi, että se on edelleen tiukasti kireällä eikä lantiovyö ole löystynyt, kun kiristät alakiinnitysvöitä ja tukijalkaa. Jos ajoneuvon turvavyö on löystynyt, kiristä se uudelleen toistamalla tämän ohjeen vaihe 2 irrottamatta alakiinnitysvöitä.

6 Työnnä ASIP-tyyny (H) ASIP-liittimen (M) loviin ja liu'uta alaspäin, jolloin ASIP-tyyny (H) napsahtaa paikalleen. Jos ASIP-liittimessä (M) on muovisuojus, irrota se ja aseta se ASIP-liittimeen (M) istuimen vastakkaisella puolella ennen ASIP-tyynyn (H) asentamista. Varmista, että ASIP-tyyny (H) on kiinnitetty Axkid MINIKID 4 PRO -turvaistuimen sille puolelle, joka on lähempänä ajoneuvon ovea.



Lapsen kiinnittäminen Axkid MINIKID 4 PRO -turvaistuimeen

Ennen kuin kiinnität lapsesi Axkid MINIKID 4 PRO -turvaistuimeen, varmista, että istuimeen on asennettu oikea pienennystyyny. Axkid MINIKID 4 PRO on suunniteltu kasvamaan lapsesi mukana ja varmistamaan lapsille mukava ja turvallinen istuvuus. Axkid suosittelee pienennystyynyn käyttöä, kunnes se on liian tiukka lapsellesi, mutta kuitenkin alla olevan taulukon mukaiseen vähimmäispituuteen asti (huomaa, että ikä on vain ohjeellinen):

Ikä	Pituus	
Taapero 0–3 vuotta	61–105 cm	
Lapsi 3–7 vuotta	106–125 cm	

Axkid MINIKID 4 PRO -turvaistuin sisältää säädettävän pääntuen (A). Katso lisätietoja **pääntuen säätöä käsittelevästä kohdasta**.

7 Säädä pääntuki (A) suurin piirtein lapsellesi sopivaan asentoon.

8 Löysää valjaita painamalla valjaiden vapautuspainiketta (E) ja vedä molemmat olkavyöt (S) ulos samanaikaisesti. Vältä vetämisestä vain yhdestä vyöstä kerrallaan, koska se voi saada olkavyöt (S) epätasapainoon.

9 Avaa valjaiden solki painamalla soljen vapautuspainiketta (C) ja aseta vyöt istuimen ulkopuolelle.

10 Aseta lapsi istuimelle ja aseta olkavyöt (S) lapsen olkapäiden yli. Pidä pääntuen säätövipua (G) painettuna avataksesi pääntuen lukituksen. Työnnä pääntukea (A) alaspäin/ylöspäin asentoon, jossa olkavyöt ovat korkeintaan 1 cm lapsen hartoiden yläpuolella. Lukitse valjaat asettamalla ensin olkavöihin (S) kiinnitetty soljen osat yhteen ja työntämällä ne sitten solkeen, kunnes kuulet napsahduksen.

11 Kiristä valjaat lapsesi lantion yli vetämällä olkavöistä (S). Pidä olkavyöt (S) kireällä ja vedä valjaiden kiristysvaihnea (F) suoraan turvaistuimesta, kunnes valjaat ovat tarpeeksi kireällä. Olkavöiden (S) väliin ei pitäisi mahtua enempää kuin yksi sormi ja lapsesi olkapää.



Pääntuen säätö

Axkid MINIKID 4 PRO -turvaistuin sisältää säädettävän pääntuen (A).

Varmista aina, että pääntuki on asetettu lapsellesi sopivalle korkeudelle käyttäessäsi selkä menosuuntaan asennettavaa Axkid MINIKID 4 PRO -turvaistuinta. Tarkista, että olkavyöt (S) kulkevat istuimen läpi suoraan lapsesi olkapäiden korkeudelta tai enintään 1 cm niiden yläpuolelta. Jos näin ei ole, säädä pääntukea (A) vastaavasti.

Huomautus: Valjaiden kireyttä on löysennettävä, jos pääntukea ei voida nostaa ylöspäin sopivalle korkeudelle. Löysää valjaat painamalla valjaiden vapautuspainiketta (E).



Axkid MINIKID 4 PRO -turvaistuimen irrottaminen ajoneuvosta

- Avaa vetoketju ja vyökiinnikkeen kansi (P). Avaa ajoneuvon turvavyön lukitus painamalla turvavyön soljen punaista painiketta. Avaa vyökiinnike (O) ja vedä ajoneuvon turvavyötä ja ohjaa se turvavyöaukkojen (D) läpi irrottaaksesi sen turvaistuimesta.
- Avaa alakiinnitysvöiden (N) lukitus pitämällä kiinni liittimistä kädelläsi ja painamalla harmaata painiketta peukalollasi. Pidä liittintä kädessäsi ja pidennä alakiinnitysvöitä painamalla hitaasti.
- Paina tukijalan painiketta (R) ja paina tukijalka (Q) kokoon.
- Taita kallistuskulman säädin (T) taitettuun asentoonsa. Nosta Axkid MINIKID 4 PRO ulos ajoneuvosta.

Vihje: Lukitse valjaiden solki ja kiristä valjaat ennen kuin irrotat turvaistuimen ajoneuvosta. Tämän jälkeen voit käyttää olkavöitä (S) kantokahvana, mikä helpottaa turvaistuimen nostamista ja kuljettamista ajoneuvon ulkopuolella.

Tärkeää: Älä koskaan kannata istuinta pitämällä sitä kiinni niskatuesta (A).

Turvaistuimen kierrätys



Axkid suosittelee vahvasti kierrättämään vanhat turvaistimet. Ennen kuin viet istuimen paikalliselle kierrätysasemalle, katkaise valjaiden hihnat istuimesta, poista tekstiilipäällinen, poista mahdollisimman monta styroksiosaa ja erota metalli- ja muoviosat, jos mahdollista. Istuimen runko-osa on merkittävä vaaralliseksi tai vahentuneeksi (käytä tussia), jotta kukaan ei voi käyttää sitä uudelleen. Tarkista eri materiaalien kierrätysohjeet paikallisista kunnan ohjeista.

Hoito-ohjeet

Istuimen tekstiilipäällinen kestää konepesun 30 °C:ssä hellävaraisella pesuohjelmalla. Älä laita päällistä kuivausrumpuun, koska se saattaa vahingoittaa päällistä ja pehmuste saattaa irrota kankaasta. Sivulla www.axkid.com on videoita, joissa on ohjeet päällisen irrottamiseen ja asentamiseen.

Jos istuimen tekstiilipäällinen on vaihdettava, varmista, että siihen käytetään ainoastaan Axkidin alkuperäisiä tuotteita. Muiden tuotteiden käyttö saattaa vaarantaa Axkid-turvajärjestelmän turvallisuuden, mikä voi puolestaan johtaa vakavaan vammaan onnettomuuden sattuessa. Axkidin muoviosat voi puhdistaa miedolla puhdistusaineella ja vedellä. Älä käytä voimakkaita kemikaaleja sisältäviä pesuaineita tai vastaavia, koska ne saattavat vahingoittaa muovia ja vaarantaa turvaistuimen turvallisuuden.

Tekstiilipäällisen poistaminen:

- Irrota ASIP-tyyny (H), jos se on kiinnitetty.
- Työnnä niskatuki (A) ylimpään asentoon. Löysää valjaita painamalla valjaiden vapautuspainiketta (E) ja vedä molemmat olkavyöt (S) ulos samanaikaisesti.
- Avaa kaksi vetoketjua pääntuen (A) alisivulla ja vedä päällinen varovasti irti pääntuesta (A).
- Laske pääntuki (A) alimpaan asentoon.
- Avaa valjaiden solki painamalla soljen vapautuspainiketta (C) ja irrota soljen suojus.
- Avaa vetoketju ja avaa vyökiinnikkeen kansi (P) ja poista muovikansi tekstiilipäällisestä.
- Avaa turvaistuimen takaosassa oleva vetoketju ja avaa tekstiilipäällisen 4 nappia turvaistuimen takaa.
- Avaa selkänöjan kaksi vetoketjua turvaistuimen sisäpuolelta ja poista tekstiilipäällinen varovasti turvaistuimesta. Ole varovainen ASIP-tyynyn ja muiden muovisuojusten ympärillä, ettei vahingoita tekstiiliä. Älä vedä liian kovaa.
- Avaa olkapehmusteet ja poista ne varovasti tarranauhasta.

Tekstiilipäällisen asentaminen:

- Asenna tekstiilipäällinen takaisin turvaistuimeen edellä oleviin ohjeisiin nähden päinvastaisessa järjestyksessä.

Huomaa: Olkapehmusteet voidaan asentaa eri kohtiin. Asenna ne lapsellesi sopivaan asentoon. Olkapehmusteet tulee sijoittaa lapsesi olkapään päälle ja rinnalle. Varmista myös, että olkapehmusteen kumipuoli on lapsesi rintakehää kohti.

Takuu

Axkid-turvaistuimella on 24 kuukauden takuu ostopäivästä alkaen. Säilytä ostokuitti ja ota se mukaan ostopaikkaan takuuasioiden hoidon yhteydessä.

Takuu ei kata seuraavia:

- Normaalista kulumista.
- Vahinkoa, joka on aiheutunut virheellisestä käytöstä, laiminlyönnistä tai onnettomuudesta.
- Jos kolmas osapuoli on tehnyt istuimeen korjauksia.
- Kaikki istuimessa käytetyt materiaalit kestävät erittäin hyvin UV-säteilyä. UV-säteily on kuitenkin erittäin voimakasta ja johtaa lopulta päällyskankaan haalistumiseen. Takuu ei kata tällaista kulumista, koska sitä pidetään normaalina kulumisena.
- Käsittele istuinta varoen. Älä koskaan kannata istuinta pitämällä sitä kiinni niskatuesta (A).

Täname, et valisite Axxkid MINIKID 4 PROi turvatooli

Enne turvatooli paigaldamist sõidukisse lugege läbi see kasutusjuhend.
Lisateabe saamiseks ja paigaldusvideote vaatamiseks minge lehele www.axkid.com.

Axxkid MINIKID 4 PRO on seljaga sõidusuunas turvatool, mis on kasutamiseks heaks kiidetud lastele pikkusega 61–125 cm, ≤36 kg

Axxkid MINIKID 4 PRO sobib kasutamiseks umbes alates kuue kuu vanuselt või kui teie laps oskab juba ise istuda.

See on terviklik turvasüsteem, mis integreeritakse autosse sõiduki turvavõõga. Turvatool on saanud tüübikinnituse vastavalt ÜRO eeskirjale nr 129 kasutamiseks sõidukiistmetel, mis on näidatud sõidukite nimekirjas. Kahtluse korral konsulteerige kas täiustatud lapse turvasüsteemi tootja (www.axkid.com) või jaemüüjaga.

Oluline teave

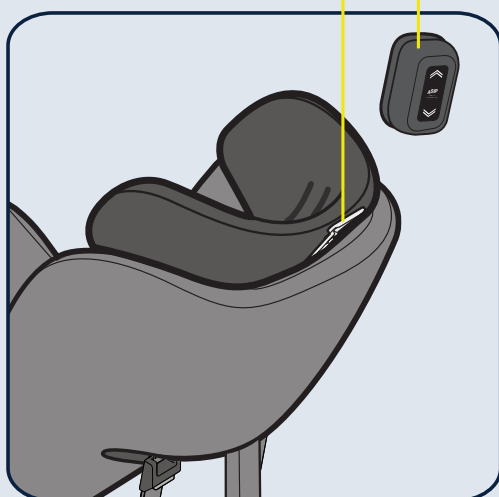
Lapse ohutuse tagamiseks tuleb meeles pidada järgmist.

- Järgige alati selles juhendis toodud juhiseid. Valesti paigaldamine võib tõsiselt mõjutada teie lapse ohutust. Kahtluse korral pöörduge edasimüüja poole, kes näitab, kuidas turvatooli õigesti paigaldada.
- Hoidke see kasutusjuhend edaspidiseks kasutamiseks alles. Kui juhend läheb kaotsi, leiage selle veebisaidilt www.axkid.com
- Ärge kasutage turvatooli sõiduki istmel, kuhu on paigaldatud aktiivne eesmine turvapadi. Kui soovite Axxkid MINIKID 4 PROi sellisele istmele paigutada, tuleb turvapadi vastavalt sõidukitootja juhistele välja lülitada.
- Õnnetuse, ka väikese õnnetuse korral tuleb turvatool alati välja vahetada. Turvatoolil võib olla silmale nähtamatuid kahjustusi, mis võib tõsiselt mõjutada teie lapse turvalisust. Seetõttu ei soovita Axxkid osta kasutatud turvatoole.
- Kui turvatool on otsese päikesevalguse käes, siis veenduge enne lapse tooli asetamist, et see ei oleks liiga kuum.
- Ärge jätke last mitte kunagi sõidukisse järelevalveta.
- Jälgige, et pagas ja lahtised esemed oleksid autos kinnitatud, sest avarii korral võivad need põhjustada sõitjatele vigastusi.
- Veenduge, et turvatool oleks paigaldatud nii, et selle ükski osa ei jääks liikuvate istmete, autouste jms vahele kinni.
- Kui kasutate alumisi kinnitusrihmasid, siis veenduge, et need oleksid paigaldatud nii, et need ei häiri ühegi sõidukiistme liikumist.
- Turvatooli tohib paigaldada ainult seljaga sõidusuunas.
- Veenduge alati, et turvarihmad oleksid reguleeritud teie lapse keha järgi. Turvarihmu reguleeritakse peatoe liigutamisega.
- Veenduge, et lapse kinnitamisel turvarihmadega oleks lapse selg surutud vastu turvatooli.
- Veenduge alati, et turvarihmad oleksid pingutatud tihedalt vastu lapse keha ja panna täielikult lukustunud; rihmu ei tohi olla võimalik kokku pigistada.
- Veenduge, et turvarihmad ei oleks keerds.
- Veenduge alati, et tugijalg oleks õiges asendis ja puutuks kokku sõiduki põrandaga. Tugijalg on väga oluline turvaelement, mille eesmärk on maksimeerida teie lapse ohutust avarii korral.
- Ärge püüdke turvatooli ühtki osa eemaldada ega modifitseerida. See võib mõjutada turvatooli garantiid ja ohutusvõimet.
- Ärge kunagi kasutage turvatooli ilma tekstiilkatteta. Istme tekstiilkate on turvaelement ja selle tohib asendada ainult Axxkidi originaalse istme tekstiilkattega.
- Teavet selle kohta, millistel istekohtadel kasutamiseks turvatool sobib, vaadake sõiduki käsiraamatust ja sõidukite nimekirjast veebisaidil www.axkid.com.
- Axxkid soovib alati kasutada istmekaitset, et kaitsta sõiduki istet kriimustuste ja mustuse eest.
- Kahtluse korral pöörduge jaemüüja poole, kellelt turvatool osteti, või võtke ühendust aadressil info@axkid.com.

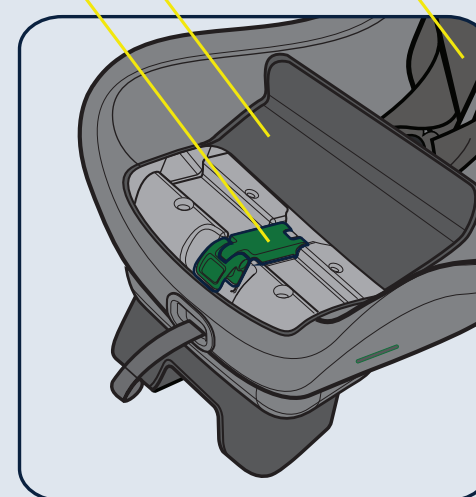
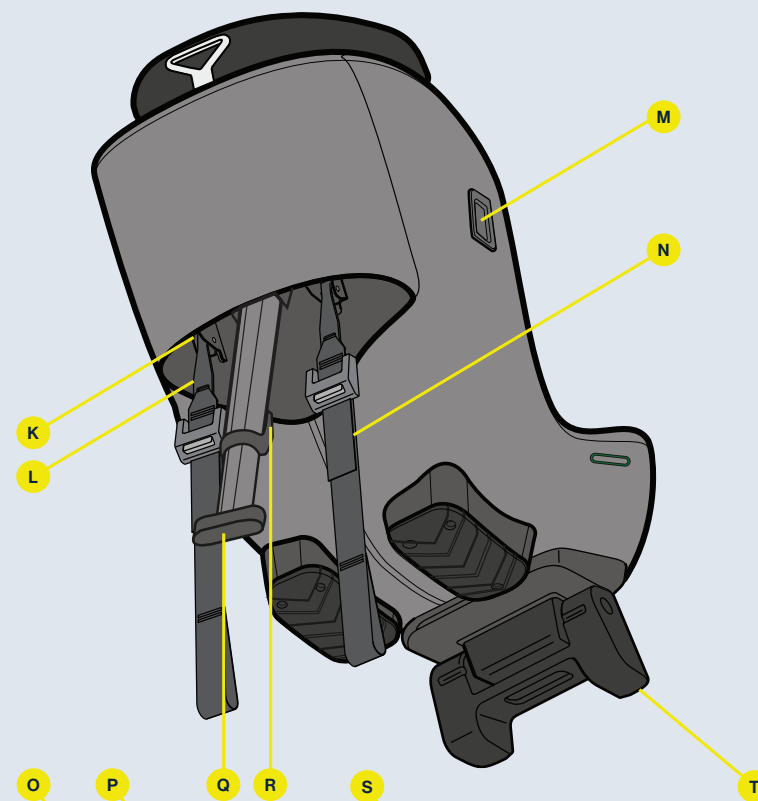
Sisukord

Osad	134
Axxkid MINIKID 4 PROi turvatooli lubatud ja mittelubatud paigutus	136
Alumised kinnituspunktid	136
Alumiste kinnituste paigaldamine	137
Axxkid MINIKID 4 PROi turvatooli paigaldamine sõidukisse	138
Lapse kinnitamine Axxkid MINIKID 4 PROi turvatooli	139
Peatoe reguleerimine	140
Axxkid MINIKID 4 PROi turvatooli eemaldamine sõidukist	140
Hooldus	140
Garantii	140

Osad



- A** PEATUGI
- B** SISSEEHITATUD TURVARIHMAD
- C** PANDLA VABASTUSNUPP
- D** TURVAVÕÕ PESA
- E** TURVARIHMADE VABASTUSNUPP
- F** TURVARIHMADE PINGUTUSRIHM
- G** PEATOELUKUSTI
- H** ASIP-PADI
- I** KAND
- J** VERTIKAALJON



- K** METALLIST KLAMBRI KONNEKTOR
- L** METALLIST KLAMBER
- M** ASIP-KONNEKTOR
- N** ALUMINE KINNITUS
- O** TURVAVÕÕ KLAMBER
- P** TURVAVÕÕ KLAMBRI KATE
- Q** TUGIJALG
- R** TUGIJALANUPP
- S** ÕLARIHM
- T** KALDENURGA REGULAATOR



Axkid MINIKID 4 PROi turvatooli lubatud ja mittelubatud paigutus

Axkid MINIKID 4 PROi turvatooli tohib paigaldada ainult seljaga sõidusuunas. See sobib enamikule, kuid mitte kõikidele istekohtadele. Vaadake oma sõiduki kasutusjuhendist, millised on sobivad istmed, ja kontrollige sõidukite loendit veebisaidil www.axkid.com

Esiiste (ilma aktiivse turvapadjaga)	JAH/EI*
Esiiste (aktiivse turvapadjaga)	EI
Kolmepunktilise turvavööga tagaiste	JAH
Kahepunktilise turvavööga iste	EI
Külje ja seljaga sõidusuunas paiknevad istmed	EI



TÄHTIS! Kui soovite paigaldada oma Axkid MINIKID 4 PRO turvatooli kohale, kuhu on paigaldatud eesmine turvapadi, tuleb turvapadi vastavalt sõiduki tootja juhistele välja lülitada. Pange tähele, et mõne sõiduki puhul tuleb turvapadja väljalülitamiseks pöörduda volitatud teeninduskeskusesse.

* Hispaania üldise liikluseeskirja artikli 117 kohaselt on alla 135 cm pikkustel lastel eranditeta keelatud sõita sõiduki esiistmel.



Alumised kinnituspunktid Oluline teave

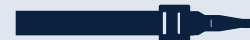
Alumisi kinnituspunkte kasutatakse laste kaitse töhustatõhusamaks kaitsmiseks autodes, võimaldades seljaga sõidusuunas ja turvavööga kinnitavate turvatoole kindlalt ning stabiilselt paigaldada. See suurendab teie lapse ohutust igat tüüpi kokkupõrgete korral, sealhulgas ümberminekuga seotud avariide ja tagant kokkupõrgete korral.

Alumised kinnitused on väljakujunenud meetod, mida Põhjamaades kasutatakse laialdaselt juba üle 40 aasta. 2020. aastal anti alumiste kinnituspunktide kohta välja uus rahvusvaheline standard ISO 13216-4:2020, tagades täiusliku sobivuse ja lihtsa paigaldamise sõidukitele, millel on eelnevalt paigaldatud alumised kinnituspunktid, mis vastavad samuti sellele standardile. Kui teie sõidukil on standardile mittevastavad kinnituspunktid, sobivad Axkid MINIKID 4 PROi alumised kinnitused siiski tõenäoliselt, kuid mitte garanteeritult. Sõidukitesse eelpaigaldatud alumised kinnituspunktid asuvad sageli pöranda külge kinnitatud istmerööbastel, kuid kasutatakse ka teisi asendeid. Lisateavet kasutatavate kinnituspunktide kohta leiate sõiduki kasutusjuhendist.

Axkid MINIKID 4 PRO sisaldab kahte alumist kinnitust paigaldamiseks autodesse, kus on või ei ole alumised kinnituspunktid. Kaasasolevad alumised kinnitused vastavad standardile ISO 13216-4:2020, tagades täiusliku sobivuse ja lihtsa paigaldamise sõidukitele, millel on eelnevalt paigaldatud alumised kinnituspunktid, mis vastavad samuti sellele standardile. Kui teie sõidukil on standardile mittevastavad kinnituspunktid, sobivad Axkid MINIKID 4 PROi alumised kinnitused siiski tõenäoliselt, kuid mitte garanteeritult. Sõidukitesse eelpaigaldatud alumised kinnituspunktid asuvad sageli pöranda külge kinnitatud istmerööbastel, kuid kasutatakse ka teisi asendeid. Lisateavet kasutatavate kinnituspunktide kohta leiate sõiduki kasutusjuhendist.

Axkid MINIKID 4 PRO sisaldab kõike, mida vajate turvatooli paigaldamiseks oma sõidukisse. Alumisi kinnituspunkte ja täiendavaid alumisi kinnitusrihmasid saab aga osta eraldi ning need muudavad paigaldamise kiiremaks ja lihtsamaks mitmes autos. Mõned sõidukitootjad pakuvad ka alumiste kinnituspunktide eraldi paigaldamise võimalust. Lisateabe saamiseks võtke ühendust oma sõiduki tootja või edasimüüjaga. Axkidil hiljem paigaldatavad kinnituspunktid ja täiendavaid alumisi kinnitusrihmasid saab osta eraldi.

Märkus. Ärge kunagi kasutage Axkid MINIKID 4 PROi ilma alumiste kinnitusteta. Need on oluline ohutusfunktsioon ja neid tuleb turvatooli paigaldamisel alati kasutada.



Alumiste kinnituste paigaldamine

Kasutage Axkid MINIKID 4 PROi paigaldamisel alati kaht kinnituspunkti ja valige eraldi kinnituspunktid, kuna see tagab stabiilsema paigalduse. Olenevalt sõidukist ja istme asukohast, kuhu otsustate turvatooli paigaldada, on mitu võimalikku kinnituskohta. Variante vt allpool.

Alumiste kinnituste suunamisvalikud

var **a** Paigaldage kinnitus ümber turvatooli all istmerööpa, viies kinnituse läbi istmerööpa ja sõiduki pöranda vahelt või läbi istmerööpa sobiva augu.

var **b** Paigaldage kinnitus ümber turvatooli ees oleva sõidukiistme hinge, viies kinnituse läbi sõidukiistme seljatoe ja istmepadja vahelt.

var **c** Paigaldage kinnitus ümber turvatooli all istmerööpa, viies kinnituse läbi istmerööpa ja sõiduki pöranda vahelt või läbi istmerööpa sobiva augu.

var **d** Paigaldage alumine kinnitus sobivasse kinnituspunkti sõiduki tagaosas ja suunake kinnitus istme alt sõiduki esiosa suunas. Veenduge, et alumised kinnitusrihmad tuleksid välja istme eest, mitte külgedelt.

var **e** Axkid MINIKID 4 PROi paigaldamisel kõrvalistuja istmele tuleb kinnitus paigaldada lähimasse sobivasse kinnituspunkti, mis võimaldab rihmasid täielikult pingutada. Kasutada saab kaugemal asuvaid kinnituspunkte ning vajadusel saab kinnituse üle tõmmata ja isegi teise kinnitusega kokku panna.

Märkus. Veenduge alati, et sõidukiistme asendi muutmine ei takistaks ega kahjustaks paigaldatud alumisi kinnitusi.

Märkus: Ärge kunagi kasutage kinnituste suunamiseks teravaid esemeid, kuna need võivad kinnitusi kahjustada.



LTA

Axkid MINIKID 4 PROi paigaldamisel alumiste kinnituste kinnituspunktide (LTA) abil saab alumise kinnituse (N) silmustada ümber metallist klambri konektori (K) ja metallist klamber (L) tuleb ühendada alumise kinnituspunktiga.



Axkid MINIKID 4 PROi turvatooli paigaldamine sõidukisse

Enne Axkid MINIKID 4 PROi paigaldamist veenduge, et olete oma sõidukisse paigaldanud alumised kinnitused või alumised kinnituspunktid. Lisateavet ja paigaldusjuhised leiate käesoleva juhendi jaotisest **alumiste kinnituspunktide ja alumiste kinnituste paigaldamise** kohta.

1 Avage tõmbklukk ja turvavöö klambri kate (P).

2 Asetage Axkid MINIKID 4 PRO sõidukiistmele, nii et turvatooli tagakülj oleks suunatud sõiduki esiosa poole. Reguleerige lapse jalaruumi, liigutades turvatooli lihtsalt autoistmel edasi-tagasi. Axkid MINIKID 4 PROi saab paigaldada tihedalt vastu sõidukiistme seljatuge, kuid seda ei tohi kunagi paigaldada nii, et kand (I) ripub üle sõidukiistme serva. Veenduge, et kann (J) vertikaaljoon (I) ei ületaks kunagi sõidukiistme serva.

Reguleerige sobiva asendi valimiseks turvatooli kaldenurka kaldenurga regulaatoriga (T). Maksimaalse ohutuse tagamiseks valige võimalikult püstine asend, veendudes ühtlasi, et lapse pea ei vajuks magamise ajal ette. Nii mugavuse kui ka ohutuse tules tuleb lapse kasvades reguleerida kaldenurk püstisemasse asendisse. Pange tähele, et alumiste kinnituste (N) pingutamisel jääb turvatool suurema kalde alla, kuna vajub sõiduki istmepatja. Axkid MINIKID 4 PROi paigaldamisel esiistmele võib, kuid ei pea, turvatooli tagakülj puutuda vastu armatuurilauda.

3 Avage turvavöö klamber (O). Tõmmake sõiduki turvavöö käsivarrepikkuselt välja ja viige läbi teile lähima pilu turvavöös (D). Suunake turvavöö läbi turvavöö klambri (O) ja kruvige läbi vastasküljel oleva turvavöö pilu (D). Kinnitage sõiduki turvavöö pandlaga ja tõmmake kõvasti sõiduki turvavöö õlaosast, et eemaldada lõtk ja kinnitada turvatool; mida tugevamini tõmbate, seda kindlam on paigaldus. Veelgi kindlama ja stabiilsema paigalduse tagamiseks suruge sõiduki turvavöö tõmbamisel turvatool alla. Kui turvatool on kindlalt kinnitatud, sulgege turvavöö klamber (O) ja lukustage sõiduki turvavöö. Veenduge, et nii õla- kui ka vöörühm oleksid turvavöö klambri (O) kokku lukustatud. Sulgege turvavöö klambri kate (P) ja tõmbklukk.

4 Kinnitage metallist klambriid (L) turvatooli mõlemal küljel asuvate metallist klambrite ühenduste (K) külge (või ühendage metallist klambriid (L) oma sõiduki kinnituspunktidega, kui paigaldamiseks kasutatakse alumisi kinnituspunkte. Lisateavet leiate selle juhendi jaotisest **Alumiste kinnituste paigaldamine**). Vajutage turvatooli ülaosa alla, pingutades samal ajal alumisi kinnitusi (N). Alumiste kinnituste (N) pingutamine määrab ära ka turvatooli lõpliku kaldenurga. Suruge turvatooli seni alla ja pingutage seda, kuni see on kindlalt kinnitunud ja olete saavutanud sobiva kaldenurga.

5 Tõmmake tugijalg (Q) turvatoolist välja. Vajutage tugijala nuppu (R) ja tõmmake tugijalga (Q) allapoole, kuni see puutub vastu sõiduki põrandat. Vabastage tugijala nupp (R) lahti ja tõstke turvatooli ülespoole, et tugijalga (Q) veelgi pikendada, kuni kuulete klõpsu. Tugijalg (Q) peaks nüüd olema lukustatud ja kindlalt sõiduki põrandale surutud. Veenduge, et tugijalg (Q) oleks umbes 10° nurga all sõiduki esiosa suunas. Kontrollige sõiduki turvavööd uuesti, veendumaks et see on endiselt kindlalt pingul ja vöörühmale pole alumiste kinnituste ja tugijala pingutamisel tekkinud lõtku. Kui sõiduki turvavöö on pisut pinget kaotanud, siis lihtsalt pingutage seda uuesti, korrates juhiste 2. sammu, vabastamata alumisi kinnitusi.

6 Lükake ASIP-padi (H) ASIP-konnektori (M) pesadesse ja libistage seda allapoole, nii et ASIP-padi (H) klõpsab kohale. Kui ASIP-konnektoril on plastkate (M), siis enne ASIP-padja (H) paigaldamist eemaldage see ja pange ASIP-konnektorile (M) istme vastasküljel. Veenduge, et ASIP-padi (H) oleks kinnitatud Axkid MINIKID 4 PROi turvatooli sellele küljele, mis on sõiduki uksele kõige lähemal.



Lapse kinnitamine Axkid MINIKID 4 PROi turvatooli

Enne lapse kinnitamist Axkid MINIKID 4 PROi turvatooli veenduge, et sellele oleks paigaldatud õige beebisisu. Axkid MINIKID 4 PRO kasvab koos lapsega ning tagab lastele mugava ja turvalise sobivuse. Axkid soovib kasutada beebisisu seni, kuni see on teie lapse jaoks liiga kitsas, ent kuni minimaalse pikkuseni vastavalt allolevale tabelile (pange tähele, et vanus on lihtsalt viiteks).

Vanus	Pikkus	
Väikelaps 0–3 aastat	61–105 cm	
Laps 3–7 aastat	106–125 cm	

Axkid MINIKID 4 PRO on varustatud reguleeritava peatoega (A). Lisateabe saamiseks vaadake jaotist **peatoe reguleerimise** kohta.

7 Reguleerige peatugi (A) lapse ligikaudsesse asendisse.

8 Lõdvendage turvarihmu, vajutades turvarihmade vabastamise nuppu (E) ja tõmmates mõlemad õlarihmad (S) korruga välja. Vältige korruga ainult ühe rihma tõmbamist, kuna nii võivad õlarihmad (S) muutuda ebaühtlaseks.

9 Vabastage turvavöö panna, vajutades pandla vabastamise nuppu (C), ja asetage rihmad toolist väljapoole.

10 Asetage laps toolile ja seadke õlarihmad (S) üle lapse õla. Peatoe avamiseks ja lukustamata hoidmiseks tõmmake ja hoidke peatoe lukustit (G) all. Lükake peatugi (A) alla/üles asendisse, kus õlarihmad asuvad maksimaalselt 1 cm kõrgusel lapse õlgadest. Lukustage rihmad, seades kõigepealt õlarihmade (S) külge kinnitatud pandlaosad kokku ja seejärel lükates need pandlasse, kuni kuulete klõpsu.

11 Tõmmake õlarihmu (S), et pingutada turvarihmad üle lapse puusade. Hoides õlarihmu (S) pingul, tõmmake turvarihmade pingutusrihma (F) otse turvatoolist, kuni turvarihmad on piisavalt pingutatud. Õlarihmade (S) ja lapse õlgade vahele ei tohi mahtuda rohkem kui üks sõrm.



Peatoe reguleerimine

Axkid MINIKID 4 PRO on varustatud reguleeritava peatoega (A).

Axkid MINIKID 4 PRO turvatooli kasutades veenduge alati, et peatugi oleks teie lapse jaoks õiges kõrguses. Kontrollige, kas õlarihmad (S) liiguvad läbi istme otse teie lapse õlgade kohalt või maksimaalselt 1 cm kõrguselt. Vastasel juhul reguleerige peatuge (A) vastavalt.

Märkus. Rihmasid tuleb lödvemaks muuta, kui peatuge ei saa tömmata sobivale kõrgusele. Rihmade vabastamiseks vajutage turvarihma vabastusnuppu (E).



Turvatooli Axkid MINIKID 4 PRO eemaldamine sõidukist

- Avage tõmblukk ja turvavöö klambri kate (P). Sõiduki turvavöö avamiseks vajutage turvavöö pandla punast nuppu. Avage turvavöö klamber (O), tõmmake sõiduki turvavööd ja viige see läbi turvavöö pilude (D), et see turvatoolilt eemaldada.
- Avage alumised kinnitused (N), hoides käega konnektoritest kinni ja vajutades pöidlaga halli nuppu. Hoides konnektorit käes, suruge aeglaselt alumiste kinnituste pikendamiseks.
- Vajutage tugijala nuppu (R) ja laske tugijalg (Q) lähimasse asendisse.
- Pöörake kaldenurga regulaator (T) kokkupandud asendisse. Tõstke Axkid MINIKID 4 PRO sõidukist välja.

Näpunäide. Lukustage turvarihmade pannal ja pingutage turvarihmad enne turvatooli eemaldamist sõidukist. Õlarihmu (S) saate kasutada kandesangana, mis hõlbustab turvatooli väljatõstmist ja selle transportimist sõidukist väljas.

Tähtis! Ärge kunagi tõstke turvatooli peatoest (A) hoides.

Turvatooli ringlussevõtt



Axkid soovib tungivalt vanade turvatoolide ringlussevõttu. Enne istme kohalikku ringlussevõtukeskusesse viimist lõigake istmelt ära raknerihmad, eemaldage tekstiilkate, eemaldage võimalikult palju vahtpolüstüroolist osi, võimaluse korral eraldage metall- ja plastosad. Istme põhiosa tuleks märgistada ohtlikuks või aegunuks (kasutage markerit), et keegi ei saaks seda uuesti kasutada. Palun tutvuge oma kohaliku omavalitsuse juhistega erinevate materjalide ringlussevõtu juhiste kohta.



Hooldus

Istme tekstiilkatet saab pesta masinas 30 °C juures õrna tsükliga. Ärge pange katet kuivatisse, sest see võib katet kahjustada ja polster võib riide küljest lahti tulla. Veebisaidilt www.axkid.com leiate videoid, kus selgitatakse, kuidas katet eemaldada ja paigaldada.

Kui tekstiilist istmekate vajab vahetamist, kasutage üksnes Axkidi originaaltooteid. Muude toodete kasutamisel võib Axkidi turvatooli ohutussüsteem kahjustada saada ning õnnetuse korral raskeid vigastusi põhjustada.

Axkidi turvatooli plastosi saab puhastada lahja pesuvahendi ja veega. Ärge kasutage tugevatoimelisi kemikaale, mis sisaldavad lahusteid jms, sest need võivad plasti kahjustada ja turvatooli ohutust vähendada.

Tekstiilkatte eemaldamine

- Eemaldage ASIP-padi (H), kui see on kinnitatud.
- Tõmmake peatugi (A) kõige ülemisse asendisse. Lõdvendage turvarihmu, vajutades turvarihmade vabastamise nuppu (E) ja tõmmates mõlemad õlarihmad (S) korruga välja.
- Avage kaks tõmblukku peatoe alumisel küljel (A) lahti ja tõmmake kate peatoelt (A) ettevaatlikult maha.
- Langetage peatugi (A) kõige madalamasse asendisse.
- Vabastage turvavöö pannal, vajutades pandla vabastamise nuppu (C), ja eemaldage pandla kate.
- Avage tõmblukk ja turvavöö kate (P) ning eemaldage tekstiilkattelt plastkate.
- Avage turvatooli tagaküljel oleva tekstiilkatte neli nuppu.
- Avage kaks tõmblukku turvatooli seljatoe siseküljel ja eemaldage tekstiilkate ettevaatlikult turvatoolilt. Olge ASIP-padja ja muude plastkatete ümber ettevaatlik, et vältida tekstiili kahjustamist. Ärge tõmmake liiga kõvasti.
- Avage õlapadjad ja eemaldage need ettevaatlikult krõpskinnitusest.

Tekstiilkatte paigaldamine

- Turvatoolile tekstiilkatte tagasi paigaldamiseks tehke eespool kirjeldatud toimingud vastupidises järjekorras.

Märkus. Õlapatju saab paigaldada eri asenditesse. Paigaldage need oma lapsele sobivasse asendisse – õlapadjad peavad asetsema lapse õlal ja rinnal. Samuti veenduge, et õlapadja kummist pool on vastu lapse rinda.

Garantii

Axkidi turvatoolil on 24 kuu pikkune garantii alates ostukuupäevast. Hoidke ostutšekk alles ja võtke see garantiijuhtumi korral müüja juurde kaasa.

Garantii ei hõlma järgnevat.

- Normaalne kulumine.
- Ebaõige kasutamise, hooletuse või õnnetuse tõttu tekkinud kahju.
- Kolmanda isiku tehtud paranduse korral.
- Kõigil kasutatavatel materjalidel on väga kõrge UV-kindluse aste. Paraku on UV-kiirgus väga tugev ning viib varem või hiljem istmekatte pleekimiseni. Seda meie garantii ei hõlma, sest see loetakse normaalseks kulumiseks.
- Käsitsege turvatooli ettevaatlikult. Ärge kunagi tõstke turvatooli peatoest (A) hoides.

Ευχαριστούμε που επιλέξατε το Axkid MINIKID 4 PRO

Διαβάστε αυτό το εγχειρίδιο οδηγιών πριν τοποθετήσετε το κάθισμα αυτοκινήτου στο όχημά σας. Για περισσότερες πληροφορίες και βίντεο τοποθέτησης, επισκεφθείτε τη διεύθυνση www.axkid.com.

Το Axkid MINIKID 4 PRO είναι ένα κάθισμα αυτοκινήτου που βλέπει προς τα πίσω, εγκεκριμένο για παιδιά με ύψος μεταξύ 61-125 cm, ≤36 cm kg

Το Axkid MINIKID 4 PRO είναι κατάλληλο για χρήση από την ηλικία των έξι μηνών περίπου ή από τότε που το παιδί σας μπορεί να κάθεται χωρίς υποστήριξη.

Αυτό είναι ένα αναπόσπαστο Σύστημα Συγκράτησης Παιδιού με Ζώνες Ειδικού οχήματος. Είναι εγκεκριμένο σύμφωνα με τον Κανονισμό των Ηνωμένων Εθνών Αρ. 129, για χρήση σε συμβατές θέσεις καθισμάτων οχημάτων όπως υποδεικνύεται από τη λίστα των οχημάτων. Εάν έχετε αμφιβολίες, συμβουλευτείτε είτε τον κατασκευαστή του ενισχυμένου συστήματος συγκράτησης παιδιών (www.axkid.com) είτε τον πωλητή λιανικής.

Σημαντικές πληροφορίες

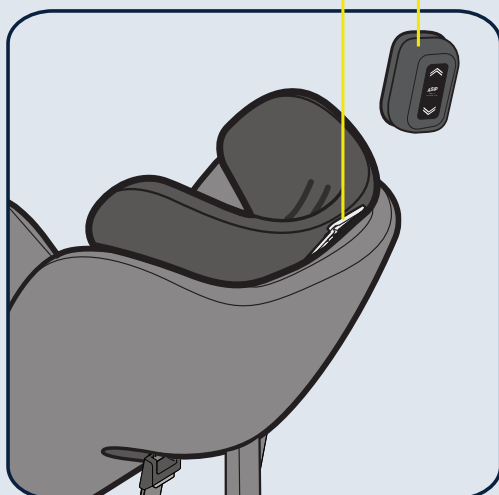
Για να μεγιστοποιήσετε την ασφάλεια του παιδιού σας, είναι σημαντικό να τηρούνται τα εξής:

- Ακολουθείτε πάντα τις οδηγίες σε αυτό το εγχειρίδιο. Μια λανθασμένη εγκατάσταση μπορεί να επηρεάσει σοβαρά την ασφάλεια του παιδιού σας. Αν έχετε απορίες, επικοινωνήστε με το κατάστημα για τη σωστή τοποθέτηση.
- Φυλάξτε αυτό το εγχειρίδιο οδηγιών για μελλοντική αναφορά. Εάν χαθεί το εγχειρίδιο, μπορείτε να το βρείτε online στη διεύθυνση www.axkid.com
- Μη χρησιμοποιείτε το κάθισμα αυτοκινήτου σε θέση καθίσματος όπου έχει τοποθετηθεί ενεργός εμπρόσθιος αερόσακος. Εάν επιθυμείτε να τοποθετήσετε το κάθισμα αυτοκινήτου σε τέτοιο κάθισμα, ο αερόσακος πρέπει να απενεργοποιηθεί, σύμφωνα με τις οδηγίες του κατασκευαστή του οχήματος.
- Σε περίπτωση ατυχήματος, ανεξάρτητα από την έκτασή του, το κάθισμα αυτοκινήτου θα πρέπει να αντικαθίσταται. Μπορεί να έχει υποστεί κάποια βλάβη που δεν είναι ορατή και να επηρεάσει σοβαρά την ασφάλεια του παιδιού σας. Για αυτόν τον λόγο, η Axkid δεν συνιστά την αγορά μεταχειρισμένων καθισμάτων αυτοκινήτου.
- Εάν το κάθισμα αυτοκινήτου έχει εκτεθεί σε άμεσο ηλιακό φως, βεβαιωθείτε ότι δεν είναι πολύ ζεστό πριν τοποθετήσετε το παιδί σας.
- Μην αφήνετε ποτέ το παιδί σας στο όχημα χωρίς παρακολούθηση.
- Βεβαιωθείτε ότι οι αποσκευές ή τα ελεύθερα αντικείμενα είναι ασφαλισμένα στο όχημά σας, καθώς ενδέχεται να προκαλέσουν τραυματισμούς στους επιβάτες σε περίπτωση ατυχήματος.
- Βεβαιωθείτε ότι το κάθισμα αυτοκινήτου έχει τοποθετηθεί με τέτοιο τρόπο ώστε να μην παγιδεύονται εξαρτήματα από κινητά καθίσματα, πόρτες αυτοκινήτου κ.λπ.
- Εάν χρησιμοποιείτε ιμάντες αγκύρωσης κάτω πρόσδεσης, βεβαιωθείτε ότι είναι τοποθετημένοι με τέτοιο τρόπο ώστε να μην παρεμποδίζουν την κίνηση οποιουδήποτε καθίσματος του αυτοκινήτου.
- Το κάθισμα αυτοκινήτου μπορεί να τοποθετηθεί μόνο προς τα πίσω.
- Να βεβαιώνετε πάντα ότι η ζώνη είναι ρυθμισμένη ώστε να ταιριάζει σωστά στο σώμα του παιδιού σας. Η ζώνη ρυθμίζεται μετακινώντας το στήριγμα κεφαλής.
- Βεβαιωθείτε ότι η πλάτη του παιδιού πιέζεται στο κάθισμα αυτοκινήτου όταν συγκρατείτε το παιδί σας με τη ζώνη.
- Να βεβαιώνετε πάντα ότι η ζώνη είναι σφιγμένη στο παιδί σας και ότι η πόρτη είναι εντελώς ασφαλισμένη, δεν πρέπει να μπορείτε να μετακινήτε τους ιμάντες.
- Βεβαιωθείτε ότι δεν υπάρχει αυστροφή στη ζώνη.
- Βεβαιωθείτε ότι το πόδι στήριξης βρίσκεται πάντα στη σωστή του θέση και ότι έρχεται σε επαφή με το δάπεδο του αυτοκινήτου. Το πόδι στήριξης είναι ένα πολύ σημαντικό χαρακτηριστικό ασφαλείας που έχει σχεδιαστεί για να μεγιστοποιεί την ασφάλεια του παιδιού σας σε περίπτωση ατυχήματος.
- Μην επιχειρήσετε να αποσυρμαμολογήσετε ή να τροποποιήσετε οποιοδήποτε μέρος του καθίσματος αυτοκινήτου. Σε τέτοια περίπτωση, η εγγύηση και οι επιδόσεις ασφαλείας του καθίσματος αυτοκινήτου θα μπορούσαν να επηρεαστούν.
- Μην χρησιμοποιείτε ποτέ το κάθισμα αυτοκινήτου χωρίς το υφασμάτινο κάλυμμα. Το υφασμάτινο κάλυμμα καθίσματος είναι χαρακτηριστικό ασφαλείας και μπορεί να αντικατασταθεί μόνο με ένα γνήσιο υφασμάτινο κάλυμμα καθίσματος Axkid.
- Διαβάστε το εγχειρίδιο αυτοκινήτου και τη λίστα αυτοκινήτων στη διεύθυνση www.axkid.com για να βρείτε ποιες θέσεις καθισμάτων είναι κατάλληλες για το συγκεκριμένο κάθισμα αυτοκινήτου.
- Η Axkid συνιστά να χρησιμοποιείτε πάντα μια προστασία καθίσματος για να προστατεύετε το κάθισμα του οχήματός σας από γρατσουνιές και βρωμιά.
- Εάν έχετε αμφιβολίες, επικοινωνήστε με το κατάστημα λιανικής από όπου αγοράσατε το κάθισμα αυτοκινήτου ή επικοινωνήστε με τη διεύθυνση ηλεκτρονικού ταχυδρομείου info@axkid.com

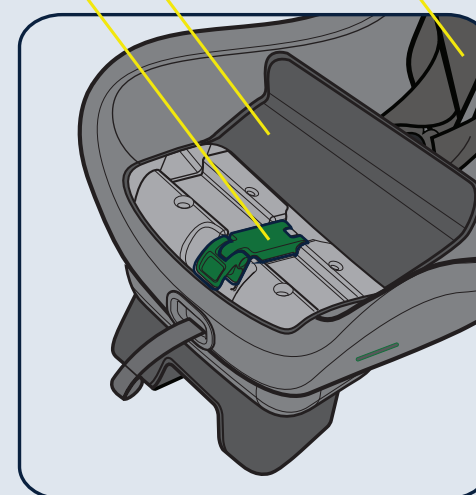
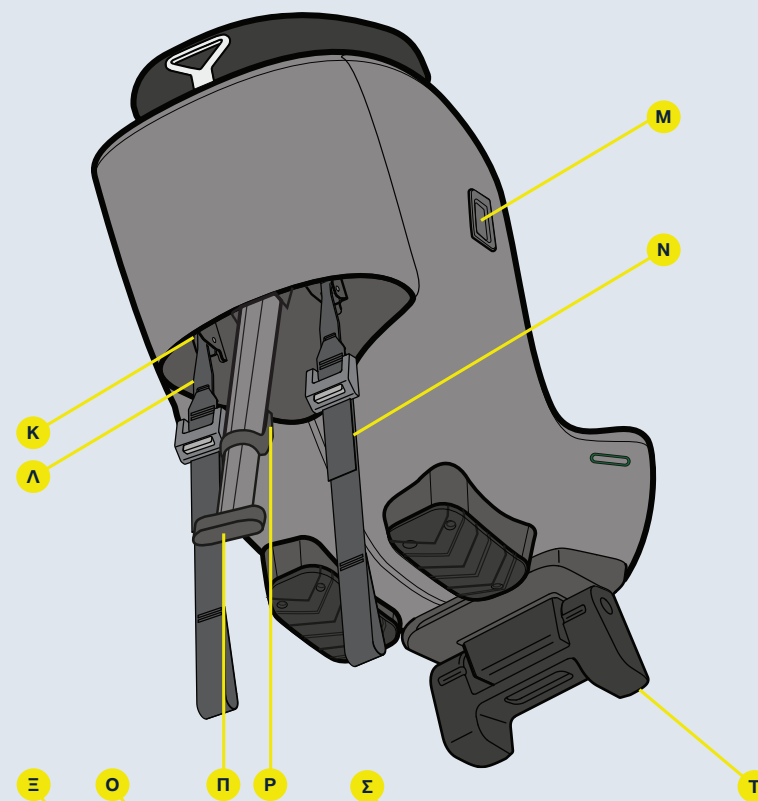
Πίνακας περιεχομένων

Μέρη	144
Επιτρεπόμενη και μη επιτρεπόμενη τοποθέτηση του καθίσματος αυτοκινήτου Axkid MINIKID 4 PRO	146
Κάτω αγκυρώσεις πρόσδεσης	146
Εγκατάσταση των κάτω σημείων πρόσδεσης	147
Εγκατάσταση καθίσματος αυτοκινήτου Axkid MINIKID 4 PRO στο όχημα	148
Ασφάλιση του παιδιού σας στο κάθισμα αυτοκινήτου Axkid MINIKID 4 PRO	149
Ρυθμίσεις προσκέφαλου	150
Αφαίρεση του καθίσματος αυτοκινήτου Axkid MINIKID 4 PRO από το όχημα	150
Φροντίδα και συντήρηση	151
Εγγύηση	151

Μέρη



- A ΠΡΟΣΚΕΦΑΛΟ
- B ΕΝΣΩΜΑΤΩΜΕΝΗ ΖΩΝΗ
- C ΚΟΥΜΠΙ ΑΠΕΛΕΥΘΕΡΩΣΗΣ ΠΟΡΠΗΣ
- D ΥΠΟΔΟΧΗ ΖΩΝΗΣ ΑΣΦΑΛΕΙΑΣ
- E ΚΟΥΜΠΙ ΑΠΕΛΕΥΘΕΡΩΣΗΣ ΖΩΝΗΣ
- F ΙΜΑΝΤΑΣ ΤΑΝΥΣΗΣ ΖΩΝΗΣ
- G ΜΟΧΛΟΣ ΦΡΕΝΟΥ ΠΡΟΣΚΕΦΑΛΟΥ
- H ASIP PAD
- I ΒΑΣΗ
- J ΚΑΘΕΤΗ ΓΡΑΜΜΗ



- K ΣΥΝΔΕΤΗΡΑΣ ΜΕΤΑΛΛΙΚΟΥ ΚΛΙΠ
- L ΜΕΤΑΛΛΙΚΟ ΚΛΙΠ
- M ΣΥΝΔΕΤΗΡΑΣ ASIP
- N ΚΑΤΩ ΠΡΟΣΔΕΣΗ
- O ΣΦΙΓΚΤΗΡΑΣ ΖΩΝΗΣ
- P ΚΑΠΑΚΙ ΣΦΙΓΚΤΗΡΑ ΖΩΝΗΣ
- Q ΠΟΔΙ ΣΤΗΡΙΞΗΣ
- R ΚΟΥΜΠΙ ΠΟΔΙΟΥ ΣΤΗΡΙΞΗΣ
- S ΖΩΝΗ ΩΜΟΥ
- T ΡΥΘΜΙΣΤΗΣ ΓΩΝΙΑΣ ΑΝΑΚΛΙΣΗΣ



Επιτρεπόμενη και μη επιτρεπόμενη τοποθέτηση του καθίσματος αυτοκινήτου Axkid MINIKID 4 PRO

Το κάθισμα αυτοκινήτου Axkid MINIKID 4 PRO μπορεί να τοποθετηθεί μόνο προς τα πίσω. Θα ταιριάζει στις περισσότερες, αλλά όχι σε όλες τις θέσεις καθισμάτων. Ελέγξτε το εγχειρίδιο οδηγιών του αυτοκινήτου σας για να βρείτε τις κατάλληλες θέσεις καθισμάτων και ελέγξτε τον κατάλογο αυτοκινήτων στη διεύθυνση www.axkid.com

Κάθισμα συνοδηγού (χωρίς ενεργό αερόσακο)	ΝΑΙ/ΟΧΙ*
Κάθισμα συνοδηγού (ενεργός αερόσακος)	ΟΧΙ
Κάθισμα πίσω συνοδηγού με ζώνη ασφαλείας 3 σημείων	ΝΑΙ
Κάθισμα με ζώνη ασφαλείας 2 σημείων	ΟΧΙ
Πλαϊνά και πίσω καθίσματα	ΟΧΙ



ΣΗΜΑΝΤΙΚΟ: Εάν θέλετε να τοποθετήσετε το κάθισμά σας Axkid MINIKID 4 PRO σε μια θέση όπου υπάρχει μετωπικός αερόσακος, ο αερόσακος πρέπει να απουσιάζει σύμφωνα με τις οδηγίες του κατασκευαστή του αυτοκινήτου σας. Λάβετε υπόψη ότι ορισμένα αυτοκίνητα απαιτούν εξουσιοδοτημένο κέντρο σέρβις για την αποσύνδεση του αερόσακου.

* Ο Γενικός Κανονισμός Κυκλοφορίας στην Ισπανία, στο άρθρο 117, θεσπίζει την απαγόρευση της οδήγησης με παιδιά αναστήματος ίσου ή μικρότερου των 135 εκατοστών που βρίσκονται στα μπροστινά καθίσματα του αυτοκινήτου, χωρίς εξαιρέσεις.



Κάτω αγκυρώσεις πρόσδεσης Σημαντικές πληροφορίες

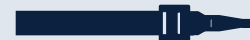
Οι Αγκυρώσεις Κάτω Πρόσδεσης (LTA) χρησιμοποιούνται για την ενίσχυση της προστασίας των παιδιών στα αυτοκίνητα παρέχοντας μια σφιχτή και σταθερή τοποθέτηση για εκτεταμένα καθίσματα αυτοκινήτου που συνδέονται με ζώνη στραμμένη προς τα πίσω. Αυτό αυξάνει την ασφάλεια του παιδιού σας σε όλους τους τύπους των συγκρούσεων, συμπεριλαμβανομένων των ατυχημάτων ανατροπής και των συγκρούσεων από το πίσω μέρος.

Οι κάτω προσδέσεις είναι μια καθιερωμένη μέθοδος που χρησιμοποιείται εκτενώς στις Σκανδιναβικές χώρες για περισσότερα από 40 χρόνια. Το 2020 κυκλοφόρησε ένα νέο διεθνές πρότυπο για το LTA, ISO 13216-4:2020. Αυτό το πρότυπο περιγράφει τις απαιτήσεις για τις κάτω προσδέσεις για καθίσματα αυτοκινήτων αλλά και για τους κατασκευαστές αυτοκινήτων και τα σημεία αγκύρωσής τους. Σκοπός είναι η βελτίωση της συμβατότητας και η διασφάλιση ενός ασφαλούς και εύκολου τρόπου τοποθέτησης για το μέλλον.

Το Axkid MINIKID 4 PRO περιλαμβάνει δύο κάτω προσδέσεις για εγκατάσταση σε αυτοκίνητα με ή χωρίς κάτω αγκυρώσεις πρόσδεσης. Οι περιλαμβανόμενες κάτω προσδέσεις συμμορφώνονται με το πρότυπο ISO 13216-4:2020, για τη διασφάλιση τέλει εφαρμογής και εύκολης τοποθέτησης σε αυτοκίνητα με προεγκατεστημένες κάτω αγκυρώσεις πρόσδεσης που συμμορφώνονται επίσης με αυτό το πρότυπο. Εάν το αυτοκίνητό σας διαθέτει σημεία αγκύρωσης που δεν συμμορφώνονται με το πρότυπο, οι κάτω προσδέσεις του Axkid MINIKID 4 PRO πιθανόν να ταιριάζουν, ωστόσο αυτό δεν είναι εγγυημένο. Οι προεγκατεστημένες κάτω αγκυρώσεις πρόσδεσης στα αυτοκίνητα βρίσκονται συχνά στις ράγες των καθισμάτων που είναι προσαρτημένες στο δάπεδο, αλλά χρησιμοποιούνται και άλλες θέσεις. Ελέγξτε το εγχειρίδιο οδηγιών του αυτοκινήτου σας για περισσότερες πληροφορίες σχετικά με τα χρησιμοποιήσιμα σημεία αγκύρωσης.

Το Axkid MINIKID 4 PRO συνοδεύεται από όλα όσα χρειάζεστε για να εγκαταστήσετε το κάθισμα αυτοκινήτου στο όχημά σας. Ωστόσο, οι αγκυρώσεις κάτω πρόσδεσης και οι επιπλέον μόντες αγκύρωσης κάτω πρόσδεσης μπορούν να αγοραστούν ξεχωριστά και θα κάνουν την εγκατάσταση ταχύτερη και ευκολότερη σε πολλά αυτοκίνητα. Ορισμένοι κατασκευαστές αυτοκινήτων προσφέρουν επίσης τη δυνατότητα εκ των υστέρων τοποθέτησης των κάτω αγκυρώσεων πρόσδεσης. Επικοινωνήστε με τον κατασκευαστή ή τον αντιπρόσωπο του οχήματός σας για περισσότερες πληροφορίες. Αγκυρώσεις κάτω πρόσδεσης μετασκευής Axkid και οι επιπλέον κάτω προσδέσεις μπορούν να αγοραστούν ξεχωριστά.

Σημείωση: Ποτέ μην χρησιμοποιείτε το Axkid MINIKID 4 PRO χωρίς τις κάτω προσδέσεις. Αποτελούν σημαντικό χαρακτηριστικό ασφαλείας και πρέπει πάντα να χρησιμοποιούνται κατά την εγκατάσταση του καθίσματος αυτοκινήτου σας.



Εγκατάσταση των κάτω σημείων πρόσδεσης

Χρησιμοποιείτε πάντα δύο σημεία αγκύρωσης κατά την τοποθέτηση του Axkid MINIKID 4 PRO και επιλέγετε σημεία αγκύρωσης που είναι χωριστά, καθώς αυτό παρέχει μια πιο σταθερή τοποθέτηση. Ανάλογα με το αυτοκίνητό σας και τη θέση του καθίσματος όπου επιλέγετε να εγκαταστήσετε το κάθισμα αυτοκινήτου σας, υπάρχουν διάφορα πιθανά σημεία αγκύρωσης που μπορείτε να χρησιμοποιήσετε. Δείτε παρακάτω για εναλλακτικές.

Επιλογές δρομολόγησης κάτω πρόσδεσης

alt. a Τοποθετήστε την πρόσδεση γύρω από τη ράγα του καθίσματος μπροστά από το κάθισμα του αυτοκινήτου περνώντας την μεταξύ της ράγας του καθίσματος και του δαπέδου του αυτοκινήτου ή μέσω μιας κατάλληλης οπής της ράγας του καθίσματος.

alt. b Τοποθετήστε την πρόσδεση γύρω από τον μεντεσέ του καθίσματος του αυτοκινήτου μπροστά από το κάθισμα του αυτοκινήτου περνώντας την ανάμεσα στην πλάτη του καθίσματος του αυτοκινήτου και στο έδρανο του καθίσματος.

alt. c Τοποθετήστε την πρόσδεση γύρω από τη ράγα του καθίσματος πίσω από το κάθισμα του αυτοκινήτου περνώντας την μεταξύ της ράγας του καθίσματος και του δαπέδου του αυτοκινήτου ή μέσω της κατάλληλης οπής της ράγας του καθίσματος.

alt. d Τοποθετήστε την κάτω πρόσδεση σε κατάλληλο σημείο αγκύρωσης στο πίσω μέρος του οχήματος και δρομολογήστε την πρόσδεση κάτω από το κάθισμα του οχήματος στο μπροστινό μέρος του οχήματος. Βεβαιωθείτε ότι η κάτω πρόσδεση εξέρχεται από το μπροστινό μέρος του καθίσματος και όχι από τα πλάγια.

alt. e Κατά την εγκατάσταση του Axkid MINIKID 4 PRO στο κάθισμα του συνοδηγού, η πρόσδεση πρέπει να τυλιγεται γύρω από το πλησιέστερο κατάλληλο σημείο αγκύρωσης, το οποίο θα επιτρέψει στους μόντες να σφίξουν πλήρως. Μπορούν να χρησιμοποιηθούν σημεία αγκύρωσης που βρίσκονται πιο πίσω και, εάν χρειάζεται, η πρόσδεση μπορεί να διασταυρωθεί ή ακόμη και να συνδεθεί με άλλη πρόσδεση.

Σημείωση: Πάντα να βεβαιώνετε ότι η αλλαγή της θέσης οποιουδήποτε καθίσματος του αυτοκινήτου δεν παρεμποδίζει ή δεν προκαλεί ζημιά στις εγκατεστημένες κάτω προσδέσεις.

Σημείωση: Μην χρησιμοποιείτε ποτέ αιχμηρά αντικείμενα για να βοηθήσετε στη δρομολόγηση των προσδέσεων, καθώς μπορεί να προκληθεί ζημιά σε αυτές.



LTA

Κατά την εγκατάσταση του Axkid MINIKID 4 PRO χρησιμοποιώντας αγκυρώσεις κάτω πρόσδεσης (LTA), η κάτω πρόσδεση (N) μπορεί να περιστραφεί γύρω από τον μεταλλικό σύνδεσμο κλιπ (K) και το μεταλλικό κλιπ (Λ) πρέπει να συνδεθεί στην άγκυρα κάτω πρόσδεσης.



Εγκατάσταση καθίσματος αυτοκινήτου Axkid MINIKID 4 PRO στο όχημα

Πριν την εγκατάσταση του Axkid MINIKID 4 PRO, βεβαιωθείτε ότι έχετε εγκαταστήσει τις κάτω προδόσεις ή τις αγκυρώσεις κάτω πρόσδεσης στο όχημά σας. Δείτε την ενότητα σχετικά με τις **αγκυρώσεις κάτω πρόσδεσης/κατην εγκατάσταση κάτω πρόσδεσεων** σε αυτό το εγχειρίδιο για περισσότερες πληροφορίες και οδηγίες εγκατάστασης.

1 Ξεκουμπώστε το φερμουάρ και ανοίξτε το καπάκι του σφιγκτήρα της ζώνης (O).

2 Τοποθετήστε το Axkid MINIKID 4 PRO στο κάθισμα του αυτοκινήτου με το πίσω μέρος του καθίσματος στραμμένο προς το μπροστινό μέρος του αυτοκινήτου. Προσαρμόστε τον χώρο για τα πόδια του παιδιού σας μετακινώντας απλά το κάθισμα αυτοκινήτου μπρος-πίσω στο κάθισμα του οχήματος. Το Axkid MINIKID 4 PRO μπορεί να τοποθετηθεί σφιχτά στην πλάτη του καθίσματος του αυτοκινήτου, αλλά δεν επιτρέπεται ποτέ να τοποθετηθεί με τη βάση (Θ) να κρέμεται πάνω από την άκρη του καθίσματος του αυτοκινήτου. Βεβαιωθείτε ότι η κάθετη γραμμή (I) στη βάση (K) δεν διασχίζει ποτέ την άκρη του καθίσματος του οχήματος.

Ρυθμίστε τη γωνία του καθίσματος αυτοκινήτου επιλέγοντας μια κατάλληλη θέση ανάκλισης με τον ρυθμιστή γωνίας ανάκλισης (T). Για μέγιστη ασφάλεια, επιλέξτε μια θέση όσο το δυνατόν πιο όρθια, διασφαλίζοντας επίσης ότι το κεφάλι του παιδιού σας δεν πέφτει μπροστά όταν κοιμάται. Τόσο για λόγους άνεσης όσο και για λόγους ασφαλείας, η γωνία κλίσης πρέπει να ρυθμίζεται σε πιο όρθια θέση καθώς το παιδί σας μεγαλώνει. Σημειώστε ότι όταν τοντώνετε τις κάτω προδόσεις (N), το κάθισμα αυτοκινήτου θα είναι ελαφρώς πιο κεκλιμένο καθώς βυθίζεται στο έδρανο του καθίσματος του οχήματος. Κατά την εγκατάσταση του Axkid MINIKID 4 PRO στο κάθισμα του συνοδηγού, είναι δυνατό, αλλά όχι απαραίτητο, το πίσω μέρος του καθίσματος αυτοκινήτου να έρχεται σε επαφή με το ταμπλό.

3 Ανοίξτε τον σφιγκτήρα ζώνης (Ξ). Τραβήξτε προς τα έξω τη ζώνη ασφαλείας του αυτοκινήτου κατά ένα μήκος του βραχίονα και, περάστε την μέσα από την υποδοχή ζώνης ασφαλείας (Δ) που βρίσκεται πιο κοντά σας. Δρομολογήστε τη ζώνη μέσα από τον σφιγκτήρα της ζώνης (Ξ) και περάστε την μέσα από την υποδοχή της ζώνης ασφαλείας (Δ) στην αντίθετη πλευρά. Συνδέστε τη ζώνη ασφαλείας του οχήματος με την πόρπη της ζώνης ασφαλείας και τραβήξτε δυνατά το μέρος του ώμου της ζώνης ασφαλείας του οχήματος για να την τεντώσετε και για να στερεώσετε το κάθισμα αυτοκινήτου, όσο πιο δυνατά τραβάτε τόσο πιο σταθερή είναι η τοποθέτηση. Για να επιτύχετε μια ακόμα πιο σφιχτή και σταθερή τοποθέτηση, πιέστε προς τα κάτω το κάθισμα αυτοκινήτου ενώ τραβάτε τη ζώνη του οχήματος. Όταν το κάθισμα αυτοκινήτου είναι καλά δεμένο, κλείστε τον σφιγκτήρα της ζώνης (Ξ) και ασφαλίστε τη ζώνη ασφαλείας του οχήματος στη θέση της. Βεβαιωθείτε ότι τόσο η ζώνη ώμου όσο και η ζώνη μέσης είναι ασφαλισμένες μαζί στον σφιγκτήρα της ζώνης (Ξ). Κλείστε το καπάκι του σφιγκτήρα της ζώνης (O) και κουμπώστε το φερμουάρ.

4 Συνδέστε τα μεταλλικά κλιπ (Λ) στους μεταλλικούς συνδέσμους κλιπ (Κ) σε κάθε πλευρά του παιδικού καθίσματος (ή συνδέστε τα μεταλλικά κλιπ (Λ) στις αγκυρώσεις του οχήματός σας, εάν χρησιμοποιούνται αγκυρώσεις κάτω πρόσδεσης για την εγκατάσταση. Ανατρέξτε στην ενότητα **Εγκατάσταση κάτω ιμάντων** σε αυτό το εγχειρίδιο για περισσότερες πληροφορίες). Πιέστε προς τα κάτω το επάνω μέρος του καθίσματος αυτοκινήτου ενώ τεντώνετε τους κάτω ιμάντες (N). Τεντώνοντας τις κάτω προδόσεις (N) ρυθμίζετε επίσης την τελική γωνία ανάκλισης του καθίσματος αυτοκινήτου. Συνεχίστε να πιέζετε το κάθισμα αυτοκινήτου προς τα κάτω μέχρι να στερεωθεί καλά και να έχετε πετύχει μια κατάλληλη γωνία ανάκλισης.

5 Τραβήξτε προς τα έξω το πόδι στήριξης (Π) από το κάθισμα αυτοκινήτου. Πιέστε το κουμπί του ποδιού στήριξης (Ρ) και τραβήξτε το πόδι στήριξης (Π) προς τα κάτω μέχρι να έρθει σε επαφή με το δάπεδο του αυτοκινήτου. Αφήστε το κουμπί του ποδιού στήριξης (Ρ) και σηκώστε το κάθισμα αυτοκινήτου προς τα πάνω για να επεκτείνετε περαιτέρω το πόδι στήριξης (Π) μέχρι να ακουστεί ένα κλικ. Το πόδι στήριξης (Π) πρέπει τώρα να έχει ασφαλίσει και να πιέζεται σταθερά στο δάπεδο του οχήματος. Βεβαιωθείτε ότι το πόδι στήριξης (Π) βρίσκεται σε γωνία περίπου 10° προς το μπροστινό μέρος του οχήματος. Ελέγξτε ξανά τη ζώνη ασφαλείας του οχήματος για να βεβαιωθείτε ότι είναι ακόμα σφιχτά τεντωμένη και ότι δεν έχει εμφανιστεί χαλάρωση στη ζώνη μέσης ενώ τεντώνετε τις κάτω προδόσεις και το πόδι στήριξης. Εάν η ζώνη του οχήματος έχει χαλαρώσει, απλά τεντώστε την ξανά επαναλαμβάνοντας το βήμα 2 αυτού του οδηγού χωρίς να αποσυνδέσετε τις κάτω προδόσεις.

6 Πιέστε το μαξιλαράκι ASIP (H) στις υποδοχές του συνδέσμου ASIP (M) και σύρετε προς τα κάτω, το μαξιλαράκι ASIP (H) θα κουμπώσει στη θέση του. Εάν υπάρχει ένα πλαστικό κάλυμμα στον σύνδεσμο ASIP (M), αφαιρέστε το και τοποθετήστε το στον σύνδεσμο ASIP (M) στην αντίθετη πλευρά του καθίσματος πριν τοποθετήσετε το μαξιλαράκι ASIP (H). Βεβαιωθείτε ότι το μαξιλαράκι ASIP (H) είναι στερεωμένο στην πλευρά του καθίσματος αυτοκινήτου Axkid MINIKID 4 PRO που είναι πιο κοντά στην πόρτα του αυτοκινήτου.



Ασφάλιση του παιδιού σας στο κάθισμα αυτοκινήτου Axkid MINIKID 4 PRO

Πριν συγκρατήσετε το παιδί σας στο κάθισμα αυτοκινήτου Axkid MINIKID 4 PRO, βεβαιωθείτε ότι έχετε τοποθετήσει το σωστό ένθετο στο κάθισμα. Το Axkid MINIKID 4 PRO έχει σχεδιαστεί για να μεγαλώνει με το παιδί σας και να εξασφαλίζει άνετη και ασφαλή εφαρμογή για τα παιδιά. Η Axkid συνιστά να χρησιμοποιείτε το ένθετο μέχρι να είναι πολύ σφιχτό για το παιδί σας, αλλά σε ελάχιστο μήκος σύμφωνα με τον παρακάτω πίνακα (σημειώστε ότι η ηλικία είναι απλώς ενδεικτική):

Ηλικία	Ύψος	
Νηπιο 0-3 ετών	61 – 105 cm	
Παιδί 3-7 ετών	106 – 125 cm	

Το Axkid MINIKID 4 PRO είναι εξοπλισμένο με ρυθμιζόμενο προσκέφαλο (Α). Δείτε την ενότητα **Ρύθμιση προσκέφαλου** για περισσότερες πληροφορίες.

7 Ρυθμίστε το προσκέφαλο (Α) σε μια κατά προσέγγιση θέση για το παιδί σας.

8 Χαλαρώστε τη ζώνη πατώντας το κουμπί απελευθέρωσης της ζώνης (Ε) και τραβήξτε ταυτόχρονα και τους δύο ιμάντες ώμου (Σ). Αποφύγετε να τραβάτε μόνο έναν ιμάντα κάθε φορά γιατί μπορεί να γίνει ανομοιόμορφη η ζώνη ώμου (Σ).

9 Απασφαλίστε την πόρπη της ζώνης πατώντας το κουμπί απελευθέρωσης της πόρπης (Γ) και περάστε τους ιμάντες εξωτερικά του καθίσματος.

10 Τοποθετήστε το παιδί σας στο κάθισμα και τοποθετήστε τις ζώνες ώμου (Σ) πάνω από τον ώμο του παιδιού σας. Τραβήξτε παρατεταμένα το μοχλό φρένου του προσκέφαλου (Ζ) για να απασφαλίσετε και να διατηρήσετε το προσκέφαλο απασφαλισμένο. Σπρώξτε προς τα κάτω/τραβήξτε προς τα πάνω το προσκέφαλο (Α) σε μια θέση όπου οι ιμάντες ώμου να βρίσκονται το πολύ 1 cm πάνω από τους ώμους του παιδιού. Ασφαλίστε τη ζώνη τοποθετώντας πρώτα τα μέρη της πόρπης που είναι στερεωμένα στις ζώνες ώμου (Σ) μαζί και, στη συνέχεια, σπρώξτε τα μέσα στην πόρπη μέχρι να ακούσετε ένα κλικ.

11 Τραβήξτε τους ιμάντες ώμου (Σ) για να σφίξετε τη ζώνη πάνω από τους γοφούς του παιδιού σας. Ενώ διατηρείτε την τάση στους ιμάντες ώμου (Σ), τραβήξτε τον ιμάντα τάσης της ζώνης (ΣΤ) κατευθείαν από το κάθισμα αυτοκινήτου μέχρι να σφίξει αρκετά η ζώνη, ενώ δεν θα πρέπει να μπορείτε να χωρέσετε περισσότερα από ένα δάχτυλα ανάμεσα στους ιμάντες ώμου (Σ) και τους ώμους του παιδιού σας.



Ρύθμιση προσκέφαλου

Το Axkid MINIKID 4 PRO είναι εξοπλισμένο με ρυθμιζόμενο προσκέφαλο (Α).

Βεβαιωθείτε ότι το προσκέφαλο είναι πάντοτε τοποθετημένο στο σωστό ύψος για το παιδί σας όταν χρησιμοποιείτε το παιδικό κάθισμα Axkid MINIKID 4 PRO. Βεβαιωθείτε ότι οι ιμάντες ώμου (Σ) περνούν από το κάθισμα κατευθείαν από τους ώμους του παιδιού σας ή το πολύ 1 cm πιο ψηλά. Εάν όχι, ρυθμίστε ανάλογα το προσκέφαλο (Α).

Σημείωση: Η τάνυση της ζώνης πρέπει να απελευθερωθεί εάν το προσκέφαλο δεν μπορεί να τραβηχτεί σε κατάλληλο ύψος. Πατήστε το κουμπί απελευθέρωσης της ζώνης (Ε) για να χαλαρώσετε τη ζώνη.



Αφαίρεση του καθίσματος αυτοκινήτου Axkid MINIKID 4 PRO από το όχημα

- Ξεκουμπώστε το φερμουάρ και ανοίξτε το καπάκι του σφινκτήρα της ζώνης (Ο). Απασφαλίστε τη ζώνη ασφαλείας του οχήματος πατώντας το κόκκινο κουμπί στην πόρπη της ζώνης ασφαλείας. Ανοίξτε τον σφινκτήρα ζώνης (Ξ) και τραβήξτε τη ζώνη ασφαλείας του οχήματος και περάστε την μέσα από τις υποδοχές ζώνης ασφαλείας (Δ) για να την αφαιρέσετε από το κάθισμα αυτοκινήτου.
- Απασφαλίστε τις κάτω προσδέσεις (Ν) κρατώντας τους συνδέσμους με το χέρι σας και πατώντας το γκρι κουμπί με τον αντίχειρά σας. Ενώ κρατάτε το βύσμα στο χέρι σας, πιέστε αργά για να επεκτείνετε τις κάτω προσδέσεις.
- Πιέστε το κουμπί του ποδιού στήριξης (Ρ) και αναδιπλώστε το πόδι στήριξης (Π) στην κοντύτερη θέση του.
- Διπλώστε τον ρυθμιστή γωνίας ανάκλισης (Τ) στην αναδιπλούμενη θέση του. Σηκώστε το Axkid MINIKID 4 PRO έξω από το αυτοκίνητο.

Υπόδειξη: Ασφαλίστε την πόρπη της ζώνης και τεντώστε την ζώνη πριν αφαιρέσετε το κάθισμα αυτοκινήτου από το αυτοκίνητο. Στη συνέχεια, μπορείτε να χρησιμοποιήσετε τους ιμάντες ώμου (S) ως λαβή μεταφοράς, διευκολύνοντας την ανύψωση του καθίσματος αυτοκινήτου και τη μεταφορά του έξω από το αυτοκίνητο.

Σημαντικό: Ποτέ μην μεταφέρετε το κάθισμα αυτοκινήτου κρατώντας το από το προσκέφαλο (Α).

Ανακύκλωση του καθίσματος αυτοκινήτου σας



Η Axkid συνιστά ανεπιφύλακτα την ανακύκλωση παιδιών καθισμάτων αυτοκινήτου. Πριν φύγετε από το κάθισμα στον τοπικό σταθμό ανακύκλωσης, κόψτε τους ιμάντες από το κάθισμα, αφαιρέστε το υφασμάτινο κάλυμμα, αφαιρέστε όσο το δυνατόν περισσότερα μέρη φελιζόλ, και διαχωρίστε τα μεταλλικά και πλαστικά μέρη εάν είναι δυνατόν. Το κύριο μέρος του καθίσματος θα πρέπει να εισημανθεί ως μη ασφαλές ή ληγμένο (χρησιμοποιήστε μαρκαδόρο) για να αποτρέψετε οποιονδήποτε από το να το χρησιμοποιήσει ξανά. Ελέγξτε τις τοπικές δημοτικές οδηγίες για ανακύκλωση διάφορων υλικών.



Φροντίδα και συντήρηση

Το υφασμάτινο κάλυμμα καθίσματος μπορεί να πλυθεί στο πλυντήριο στους 30°C στο πρόγραμμα για ευαίσθητα ρούχα. Μην τοποθετείτε το κάλυμμα σε στεγνωτήριο, καθώς μπορεί να προκληθεί φθορά στο κάλυμμα και η επένδυση να ξεκολλήσει από το ύφασμα. Ανατρέξτε στη διεύθυνση www.axkid.com για βίντεο που επεξηγούν την αφαίρεση και την τοποθέτηση του καλύμματος.

Εάν το κάλυμμα του καθίσματος χρειάζεται αντικατάσταση, βεβαιωθείτε ότι χρησιμοποιούνται μόνο τα αυθεντικά προϊόντα της Axkid. Εάν χρησιμοποιούνται άλλα προϊόντα, το σύστημα ασφαλείας του καθίσματος αυτοκινήτου Axkid μπορεί να επηρεαστεί και ενδέχεται να προκληθεί σοβαρός τραυματισμός σε περίπτωση ατυχήματος. Οποιαδήποτε πλαστικά μέρη του καθίσματος αυτοκινήτου Axkid μπορούν να καθαριστούν με ήπιο απορρυπαντικό και νερό. Μην χρησιμοποιείτε ισχυρές χημικές ουσίες που περιέχουν διαλύτες κ.λπ., καθώς μπορεί να προκληθεί ζημιά στο πλαστικό και να επηρεάσει την ασφάλεια του καθίσματος αυτοκινήτου.

Αφαιρέστε το υφασμάτινο κάλυμμα:

- Αφαιρέστε το μαξιλαράκι ASIP (Η) εάν είναι προσαρτημένο.
- Τραβήξτε το προσκέφαλο (Α) στην ανώτερη θέση του. Χαλαρώστε τη ζώνη πατώντας το κουμπί απελευθέρωσης της ζώνης (Ε) και τραβήξτε ταυτόχρονα και τους δύο ιμάντες ώμου (Σ).
- Ξεκουμπώστε τα δύο φερμουάρ στην κάτω πλευρά του προσκέφαλου (Α) και τραβήξτε προσεκτικά το κάλυμμα από το προσκέφαλο (Α).
- Χαμηλώστε το προσκέφαλο (Α) στη κατώτερη θέση του.
- Απασφαλίστε την πόρπη της ζώνης πατώντας το κουμπί απελευθέρωσης της πόρπης (Γ) και αφαιρέστε το κάλυμμα της πόρπης.
- Ξεκουμπώστε το φερμουάρ και ανοίξτε το καπάκι του σφινκτήρα ζώνης (Ο) και αφαιρέστε το πλαστικό καπάκι από το υφασμάτινο κάλυμμα.
- Ανοίξτε τα 4 κουμπιά στο υφασμάτινο κάλυμμα στην πίσω πλευρά του καθίσματος αυτοκινήτου.
- Ξεκουμπώστε τα δύο φερμουάρ στην πλάτη στο εσωτερικό του καθίσματος αυτοκινήτου και αφαιρέστε απαλά το υφασμάτινο κάλυμμα από το κάθισμα αυτοκινήτου. Προσέξτε γύρω από το μαξιλαράκι ASIP και άλλα πλαστικά καλύμματα για να μην προκαλέσετε ζημιά στο υφασμάτινο κάλυμμα. Μην τραβάτε πολύ δυνατά.
- Ανοίξτε τα μαξιλαράκια ώμων και αφαιρέστε τα απαλά από το Velcro.

Τοποθετήστε το υφασμάτινο κάλυμμα:

- Αντιστρέψτε τα βήματα από την παραπάνω οδηγία για να τοποθετήσετε ξανά το υφασμάτινο κάλυμμα στο κάθισμα αυτοκινήτου.

Σημείωση: Τα μαξιλαράκια ώμου μπορούν να τοποθετηθούν σε διαφορετικές θέσεις. Τοποθετήστε τα σε μια θέση κατάλληλη για το παιδί σας, τα μαξιλαράκια ώμου πρέπει να τοποθετούνται πάνω από τον ώμο και στο στήθος του παιδιού σας. Βεβαιωθείτε επίσης ότι η λαστιχένια πλευρά του μαξιλαριού ώμου είναι στραμμένη προς το στήθος του παιδιού σας.

Εγγύηση

Το κάθισμα αυτοκινήτου Axkid καλύπτεται με εγγύηση 24 μηνών από την ημερομηνία αγοράς. Βεβαιωθείτε ότι έχετε φυλάξει την απόδειξη και ότι την προσκομίζετε στο σημείο αγοράς, εάν αντιμετωπίζετε προβλήματα εγγύησης.

Η εγγύηση δεν καλύπτει:

- Φυσιολογικές φθορές.
- Ζημιές εξαιτίας εσφαλμένης χρήσης, αμέλειας ή ατυχήματος.
- Περιπτώσεις όπου έχουν πραγματοποιηθεί επισκευές από τρίτους.
- Όλα τα υλικά που χρησιμοποιούνται έχουν πολύ υψηλό βαθμό αντοχής στην υπερϊώδη ακτινοβολία. Ωστόσο, το υπερϊώδες φως είναι πολύ επιθετικό και εν τέλει θα οδηγήσει σε ξεθώριασμα του καλύμματος του καθίσματος. Αυτό δεν καλύπτεται από την εγγύησή μας, καθώς θεωρείται φυσιολογική φθορά.
- Χειριστείτε το κάθισμα με προσοχή. Ποτέ μην μεταφέρετε το κάθισμα κρατώντας το από το προσκέφαλο (Α).

Kærar þakkir fyrir að velja Axxid MINIKID 4 PRO

Lestu þessar leiðbeiningar áður en þú setur bílstólinn í bílinn.
Nánari upplýsingar og ísetningarmyndbönd er að finna á www.axkid.com.

Axxid MINIKID 4 PRO er afturvísandi bílstóll, samþykktur fyrir börn með hæð
á milli 61-125 cm, ≤36 kg

Axxid MINIKID 4 PRO er hentugur til notkunar frá um það bil sex mánaða aldri, eða frá því að barnið getur setið upprétt óstutt.

Þetta er heildstætt sértækt kerfi fyrir festingu barna í ökutæki (Specific vehicle Belted Enhanced Child Restraint System.) Hann er samþykktur í samræmi við reglugerð Sameinuðu þjóðanna nr. 129, til notkunar í samhæfanlegum sætum ökutækis eins og tilgreint er í ökutækjalistanum. Ef þú ert í vafa skaltu hafa samband við annað hvort framleiðanda bílstólsins (www.axkid.com) eða söluaðilann.

Mikilvægar upplýsingar

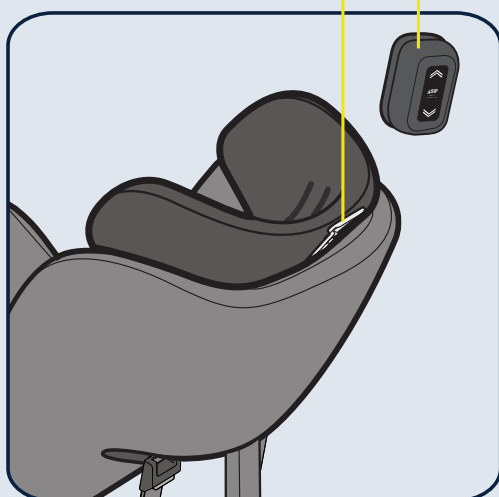
Til að hámarka öryggi barnsins þíns er mikilvægt að þú hafir eftirfarandi í huga:

- Fylgið ávallt leiðbeiningunum í þessari handbók. Röng uppsetning getur haft alvarleg áhrif á öryggi barnsins þíns. Hafðu samband við söluaðilann ef vafaatriði koma upp. Hann getur leiðbeint þér varðandi rétta uppsetningu.
- Geymið þessa handbók til síðari nota. Ef handbók tynist geturðu fundið hana á netinu á www.axkid.com
- Notaðu ekki bílstólinn í sæti þar sem virkur loftþúði er fyrir framan hann. Ef þú vilt samt sem áður setja upp bílstólinn á þeim stað verður að slökkva á loftþúðanum í samræmi við leiðbeiningar framleiðanda ökutækisins.
- Ef slys hefur orðið, sama hversu lítið, skal ávallt skipta um bílstólinn. Hann gæti hafa orðið fyrir skemmdum sem eru ekki sjáanlegar og gætu haft alvarleg áhrif á öryggi barnsins þíns. Af þessum ástæðum mælir Axxid ekki með því að kaupa notaða bílstóla.
- Ef bílstólinn hefur verið í beinu sólarljósi skaltu ganga úr skugga um að bílstólinn sé ekki of heitur áður en barnið er sett í hann.
- Skildu barnið aldrei eftir í bílnum án eftirlits.
- Gakktu úr skugga um að allur farangur eða lausir hlutir séu tryggilega festir í ökutækinu þar sem þeir geta valdið meiðslum á farþegum ef árekstur verður.
- Gakktu úr skugga um að bílstólinn sé settur upp þannig að engir hlutar hans festist í hreyfanlegum sætum, bilhurðum o.s.frv.
- Ef þú notar neðri ólarfestingar skaltu ganga úr skugga um að þær séu settar upp þannig að þær séu ekki fyrir hreyfingu ökutækissæta.
- Bílstólinn má aðeins setja upp bakvísandi.
- Gakktu úr skugga um að beltið sé stillt þannig að það passi rétt við líkama barnsins. Beltið er stillt með því að hreyfa höfuðþúðann.
- Gakktu úr skugga um að bak barnsins sé þétt að bílstólnum þegar þú festir barnið þitt með beltinu.
- Gakktu úr skugga um að beltið sé þétt að barninu og að sylgjan sé alveg læst. Þú ættir ekki að geta klipið í ólarnar.
- Gakktu úr skugga um að beltið sé ekki snúið.
- Gakktu ávallt úr skugga um að stuðningsfóturinn sé í réttri stöðu og nemi við gólf ökutækisins. Stuðningsfóturinn er mjög mikilvægur öryggisbúnaður sem er hannaður til að hámarka öryggi barnsins í slysi.
- Reyndu ekki að taka í sundur eða breyta neinum hluta bílstólsins. Ábyrgð og öryggisframmistaða bílstólsins gæti orðið fyrir áhrifum af því.
- Notaðu aldrei bílstólinn án áklæðisins. Stólsáklæðið er öryggisbúnaður og má aðeins skipta því út með upprunalegu Axxid stólsáklæði.
- Lestu ökutækjahandbókina og ökutækjalistan á www.axkid.com til að finna hvaða sætisstöður henta þessum bístól.
- Axxid mælir með því að nota alltaf sætishlíf til að vernda bílsætin fyrir rispum og óhreinindum.
- Ef þú ert í vafa skaltu hafa samband við söluaðilann þar sem bílstólinn var keyptur eða hafa samband við info@axkid.com

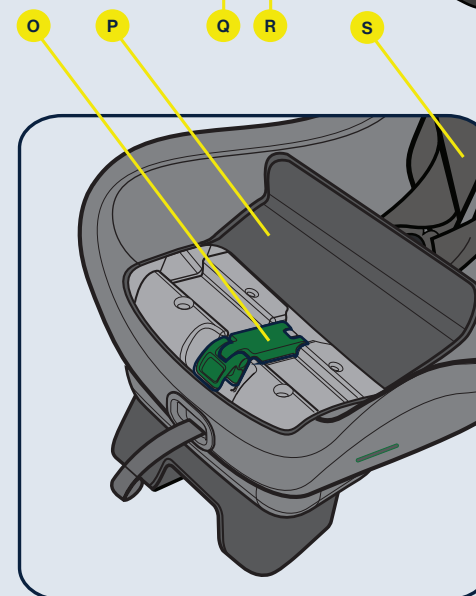
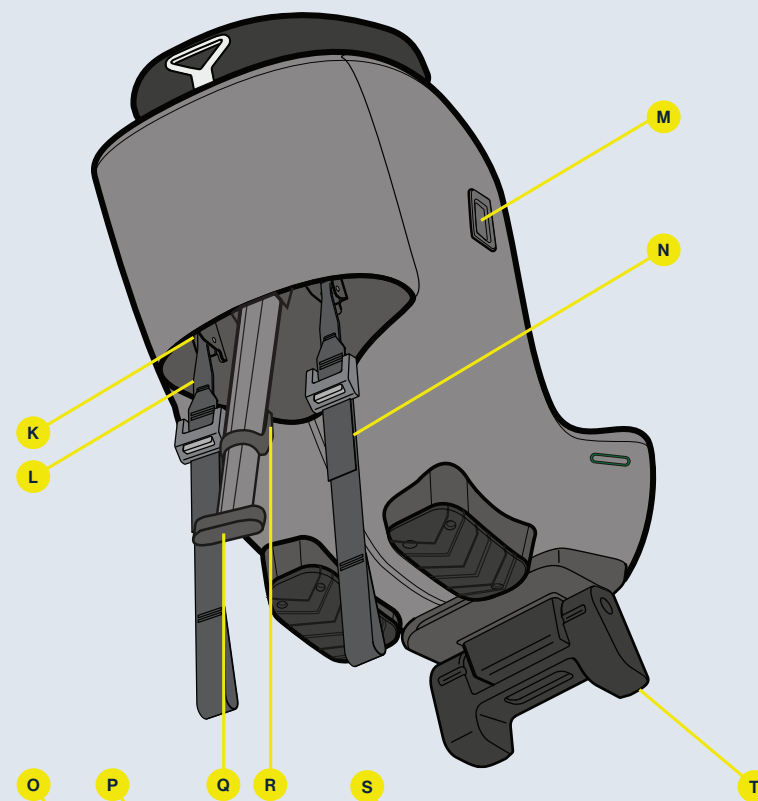
Efnisyfirlit

Íhlutir	154
Heimil og óheimil staðsetning Axxid MINIKID 4 PRO bístóls	156
Neðri ólarfestingar	156
Uppsetning neðri óla	157
Uppsetning Axxid MINIKID 4 PRO bístóls í ökutækið	158
Festing barnsins í Axxid MINIKID 4 PRO bístólinn	159
Stilling höfuðþúða	160
Úrtekning Axxid MINIKID 4 PRO bístóls úr ökutækinu	160
Umhirða og viðhald	161
Ábyrgð	161

Íhlutir



- A** HÖFUÐPÚÐI
- B** INNBYGGT BELTI
- C** LOSUNARHNAPPUR FYRIR SYLGJU
- D** BÍLBELTISRAUF
- E** BELTISLOSUNARHNAPPUR
- F** SPENNUÓL BELTIS
- G** STOPPHANDFANG HÖFUÐPÚÐA
- H** ASIP-PÚÐI
- I** HÆLL
- J** LÓÐRÉTT STRIK



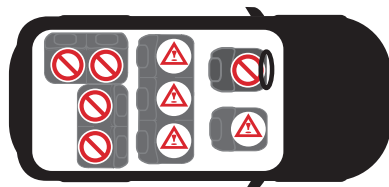
- K** MÁLMKLEMMUTENGI
- L** MÁLMKLEMMMA
- M** ASIP-FESTING
- N** NEÐRI ÓL
- O** BELTISKLEMMMA
- P** BELTISKLEMMULOK
- Q** STUÐNINGSFÓTUR
- R** STUÐNINGSFÓTARHNAPPUR
- S** AXLAÓL
- T** HALLASTILLING



Heimil og óheimil staðsetning Axxid MINIKID 4 PRO bílstóls

Axxid MINIKID 4 PRO bílstól er aðeins hægt að setja upp bakvísandi. Hann passar í flestar, en ekki allar sætisstöður. Skoðaðu leiðbeiningarhandbók ökutækisins til að finna viðeigandi sætisstöðu og athugaðu ökutækjalistann á www.axkid.com

Framsæti farþega (óvirkur loftpúði)	JÁ/NEI*
Framsæti farþega (virkur loftpúði)	NEI
Farþegasæti að aftan með 3ja punkta bílbelti	JÁ
Sæti með 2ja punkta bílbelti	NEI
Hliðar- og bakvísandi sæti	NEI



MIKILVÆGT: Ef þú vilt setja upp Axxid MINIKID 4 PRO bílstólinn á stað þar sem loftpúði er fyrir framan, verður að aftengja loftpúðann samkvæmt leiðbeiningum frá framleiðanda ökutækisins. Athugið að sum ökutæki þurfa viðurkenna þjónustumiðstöð til að aftengja loftpúðann.

* Almenn umferðarreglugerð á Spáni, í grein 117, kveður á um bann við akstri með börn sem eru 135 sentimetrar að hæð eða minna í framsætum ökutækis, án undantekninga.



Neðri ólarfestingar Mikilvægar upplýsingar

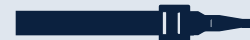
Neðri ólarfestingar (LTA) eru notaðar til að veita börnum í bílum aukna vörn með því að veita trausta og stöðuga uppsetningu fyrir framlengda, bakvísandi bílstóla sem festir eru með belti. Þetta eykur öryggi barnsins í öllum tegundum árekstra, þar með talið veltum og aftanákefslum.

Neðri ólar eru vel þekkt aðferð sem hefur verið mikið notuð á Norðurlöndunum í yfir 40 ár. Árið 2020 var gefinn út nýr alþjóðlegur staðall fyrir LTA, ISO13216-4:2020. Þessi staðall lýsir kröfum um neðri ólar fyrir bílstóla en einnig fyrir bílaframleiðendur og festipunkta þeirra. Tilgangurinn er að bæta samhæfni og tryggja örugga og auðveldu uppsetningu til framtíðar.

Axxid MINIKID 4 PRO inniheldur tvær neðri ólar til uppsetningar í bílum með eða án neðri ólarfestingar. Neðri ólarnar sem fylgja með eru í samræmi við ISO13216-4:2020, sem tryggir að stóllinn passi fullkomlega og sé auðveldur í uppsetningu í ökutækjum með foruppsettum neðri ólarfestingum sem eru einnig í samræmi við þennan staðal. Ef ökutækið þitt er með festipunkta sem eru ekki í samræmi við staðalinn, er samt líklegt, en ekki öruggt, að neðri ólar Axxid MINIKID 4 PRO passi. Foruppsettar neðri ólarfestingar í ökutækjum eru oft á sætissleðunum sem festir eru við gólfíð, en aðrar stöður eru einnig notaðar. Skoðaðu handbók ökutækisins til að fá frekari upplýsingar um nothæfa festipunkta.

Axxid MINIKID 4 PRO kemur með öllu sem þú þarft til að setja bílstólinn í bílinn. Hins vegar er hægt að kaupa neðri ólarfestingar og auka neðri ólarfestingarbönd sérstaklega sem gerir uppsetningu fljótlegri og auðveldari í mörgum bílum. Sumir bílaframleiðendur bjóða einnig upp á möguleika á að setja neðri ólarfestingar í eftir á. Hafðu samband við framleiðanda ökutækisins eða söluaðila til að fá frekari upplýsingar. Hægt er að kaupa Axxid eftirásettar neðri ólarfestingar og auka neðri ólar sérstaklega.

Athugið: Notaðu aldrei Axxid MINIKID 4 PRO án neðri ólanna. Þær eru mikilvægur öryggisbúnaður og skal ávallt nota þegar bílstólinn er settur upp.



Uppsetning neðri óla

Notaðu alltaf tvo festipunkta þegar Axxid MINIKID 4 PRO er settur upp og veldu festingar sem eru aðskildar þar sem það veitir stöðugri uppsetningu. Það fer eftir ökutækinu þínu og sætissstöðunni þar sem þú velur að setja bílstólinn þinn upp. Það eru ýmsir mögulegir festipunktar til að nota til við uppsetningu festiolanna. Sjá valkosti hér að neðan.

Valkostir fyrir þræðingu neðri ólar

- valk. **a** Settu ólina utan um sætissleðann fyrir framan bílstólinn með því að þræða ólina á milli sætissleðans og gólfs ökutækisins eða í gegnum viðeigandi gat á sætissleðanum.
- valk. **b** Settu ólina utan um lóm ökutækissætisins fyrir framan bílstólinn með því að þræða ólina á milli stólbaks ökutækisins og sætispúðans.
- valk. **c** Settu ólina utan um sætissleðann fyrir neðan bílstólinn með því að þræða ólina á milli sætissleðans og gólfs ökutækisins eða í gegnum viðeigandi gat á sætissleðanum.
- valk. **d** Settu neðri ólina á hentugan festipunkt að aftan í ökutækinu og þræddu ólina undir sæti ökutækisins fram í ökutækið. Gakktu úr skugga um að neðri ólarnar komi út fyrir framan sætið en ekki út frá hliðunum.
- valk. **e** Þegar Axxid MINIKID 4 PRO er settur í farþegasætið að framan skal setja ólina utan um næsta hentuga festipunkt sem gerir það kleift að herða ólarnar að fullu. Hægt er að nota festipunkta sem settir eru lengra aftur og ef þörf krefur er hægt að setja ólina þvert yfir og jafnvel þræða hana saman með annarri ól.

Athugið: Gakktu ávallt úr skugga um að breyting á stöðu ökutækissæta trufli ekki eða skemmi neðri ólarnar.

Athugið: Notaðu aldrei beitta hluti til að aðstoða við að þræða ólarnar þar sem það gæti skemmt ólarnar.



LTA Þegar Axxid MINIKID 4 PRO er sett upp með neðri ólarfestingum (LTA) er hægt að þræða neðri ólina (N) um málmklemmutengjöld (K) og málmklemman (L) ætti að vera tengd við neðri ólarfestinguna.



Uppsetning Axxid MINIKID 4 PRO bílstóls í ökutæknið

Áður en Axxid MINIKID 4 PRO er sett upp skaltu ganga úr skugga um að neðri ólarnar eða neðri ólarfestingar hafi verið settar upp í ökutækni. Sjá kafla um **Neðri ólarfestingar** og **Uppsetning neðri óla** í þessari handbók fyrir frekari upplýsingar og uppsetningarleiðbeiningar.

1 Opnaðu rennilásinn og opnaðu beltisklemmulokið (P).

2 Settu Axxid MINIKID 4 PRO í sæti ökutækisins þannig að bakið á bílstólum snúi fram í ökutækni. Stilltu fótarymið fyrir barnið með því einfaldlega að færa bílstólinn fram og til baka í sæti ökutækisins. Axxid MINIKID 4 PRO er hægt að setja þétt upp við sætisbak ökutækisins en aldrei má setja hann upp með hælinn (I) hangandi yfir kant ökutækissætisins. Gakktu úr skugga um að lóðréttu strikið (J) á hælnum (I) fari aldrei yfir kant ökutækissætisins.

Stilltu halla bílstólsins með því að ýta á hallastillingarhandfangið (T) og velja viðeigandi hallastöðu. Til að fá hámarksöryggi skaltu velja eins upprétta stöðu og mögulegt er á meðan þú tryggir að höfuð barnsins falli ekki fram þegar það sefur. Af þæginda- og öryggisástæðum ætti að stilla hallahornið í uppréttri stöðu þegar barnið stækkar. Athugaðu að þegar neðri ólarnar (N) eru spenntar, hallast bílstólinn aðeins meira þegar hann sekkur í sætisþúða ökutækisins. Þegar Axxid MINIKID 4 PRO er komið fyrir í farþegasætinu að framan er mögulegt, en ekki nauðsynlegt, að bakið á bílstólum snerti mælaborðið.

3 Opnaðu beltisklemmuna (O). Dragðu út handleggslengd bilbeltisins og bræddu það í gegnum bilbeltisraufina (D) næst þér. Settu beltið í gegnum beltisklemmuna (O) og bræddu það í gegnum bilbeltisraufina (D) á gagnstæðri hlið. Tengdu bilbelti ökutækisins við beltissylgjuna og togaðu fast í axlarhluta bilbeltisins til að fjarlægja allan slaka og til að festa bílstólinn, því fastar sem þú togar því traustari er uppsetningin. Til að gefa enn traustari og stöðugri uppsetningu, þrýstu niður á bílstólinn á meðan þú togar í bilbeltið. Þegar bílstólinn er vel spenntur skaltu loka beltaklemmuna (O) og læsa bilbeltinu í stöðu. Gakktu úr skugga um að bæði axla- og mjaðmarbeltið sé læst saman í beltaklemmuna (O). Lokaðu beltaklemmulokinu (P) og lokaðu rennilásnum.

4 Festu málmklemmurnar (L) við málmklemmutengin (K) sitt hvoru megin við bílstólinn (eða tengdu málmklemmurnar (L) við festingar í ökutækni ef neðri festingar eru notaðar við uppsetningu. Sjá kaflann **Uppsetning neðri óla** í þessari handbók til að fá frekari upplýsingar). Þrýstu efst á bílstólinn og strekktu á neðri ólunum (N). Með því að spenna neðri ólarnar (N) stillirðu einnig endanlegan halla bílstólsins. Haltu áfram að ýta niður og setja spennu á bílstólinn þar til hann er vel festur og þú hefur náð hæfilegu halla.

5 Dragðu stuðningsfótinn (Q) af bílstólum. Ýttu á stuðningsfótarhnappinn (R) og dragðu stuðningsfótinn (Q) niður þar til hann snertir gólf ökutækisins. Slepptu stuðningsfótarhnappnum (R) og lyftu bílstólum upp til að lengja stuðningsfótinn (Q enn frekar) þar til smellur heyrir. Stuðningsfóturinn (Q) ætti nú að vera læstur og þrýstast þétt að gólf ökutækisins. Gakktu úr skugga um að stuðningsfóturinn (Q) halli um 10° fram á við í ökutækni. Athugaðu bilbelti ökutækisins aftur til að ganga úr skugga um að það sé enn vel spennt og að enginn slaki hafi orðið á mjaðmabeltinu þegar spennt var á neðri ólunum og stuðningsfætinum. Ef belti ökutækisins hefur misst spennu skaltu einfaldlega spenna það aftur með því að endurtaka skref 2 í þessum leiðbeiningum án þess að aftengja neðri ólarnar.

6 Ýttu ASIP-þúðanum (H) inn í raufina á ASIP-festingunni (M) og renndu honum niður. ASIP-þúðinn (H) smellur þá á sinn stað. Ef plasthlíf er á ASIP-festingunni (M), taktu hana af og settu hana á ASIP-festinguna (M) á hinni hlið stólsins áður en ASIP-þúðinn (H) er settur á. Gakktu úr skugga um að ASIP-þúðinn (H) sé festur á þá hlið Axxid MINIKID 4 PRO bílstólsins sem er næst hurð ökutækisins.



Festing barnsins í Axxid MINIKID 4 PRO bílstólinn

Áður en þú festir barnið í Axxid MINIKID 4 PRO bílstólinn skaltu ganga úr skugga um að þú sért með rétta innleggjið í sætinu. Axxid MINIKID 4 PRO er hannað til að vaxa með barninu og passa þægilega og örugglega fyrir börnin. Axxid mælir með því að nota innleggjið þar til það er of þröngt fyrir barnið, en í lágmarks lengd samkvæmt töflunni hér að neðan (athugið að aldurinn er aðeins vísbending):

Aldur	Hæð	
Smábarn 0-3 ára	61-105 cm	
Barn 3-7 ára	106-125 cm	

Axxid MINIKID 4 PRO er búinn stillanlegum höfuðþúða (A). Sjá kaflann **Stilling höfuðþúða** fyrir frekari upplýsingar.

7 Stilltu höfuðþúðann (A) í áætlaða stöðu fyrir barnið.

8 Losaðu beltið með því að ýta á beltislosunarhnappinn (E) og dragðu út báðar axlaólar (S) samtímis. Forðastu að toga aðeins í eina ól í einu þar sem það getur valdið því að axlaólar (S) verði ójafnar.

9 Opnaðu sylgjuna með því að ýta á losunarhnapp sylgjunnar (C) og settu ólarnar fyrir utan sætið.

10 Settu barnið í sætið og settu axlaólar (S) yfir axlir barnsins. Togið í og haldið um stopphandfang höfuðþúðans (G) til að opna og haldið höfuðþúðanum ólæstum. Ýtið höfuðþúðanum (A) niður/dragið hann í stöðu þar sem axlarólar eru staðsettar að hámarki 1 cm fyrir ofan axlir barnsins. Læstu beltinu með því að staðsetja fyrst hluta sylgjunnar sem festir eru við axlaólar (S) saman og ýta þeim síðan inn í sylgjuna þar til þú heyrir smell.

11 Togaðu í axlaólar (S) til að spenna beltið yfir mjaðmir barnsins. Á meðan þú heldur spennunni á axlaólunum (S), dragðu beltisspenniólina (F) beint úr bílstólum þar til beltið er nægilega spennt. Þú ættir ekki að geta komið meira en einum fingri á milli axlaólanna (S) og axla barnsins.



Stilling höfuðpúða

Axkid MINIKID 4 PRO er búinn stillanlegum höfuðpúða (A).

Gakktu ávallt úr skugga um að höfuðpúðinn sé í rétttri hæð fyrir barnið þegar þú notar Axkid MINIKID 4 PRO bílstólinn. Athugaðu hvort axlaólmarnar (S) fari í gegnum sætið beint út frá öxlum barnsins eða að hámarki 1 cm fyrir ofan. Ef ekki, stilltu höfuðpúðann (A) í samræmi við það.

Athugið: Losa þarf beltisspennuna ef ekki er hægt að draga höfuðpúðann upp í hæfilega hæð. Ýttu á losunarhnapp beltisins (E) til að losa beltið.



Úrtekning Axkid MINIKID 4 PRO bílstóls úr ökutækkinu

- Opnaðu rennilásinn og opnaðu beltisklemmulokið (P). Losaðu belti ökutækisins með því að ýta á rauða hnappinn á beltissylgju stólsins. Opnaðu beltisklemmuna (O) og togaðu í bilbeltið og stýrðu því í gegnum bilbeltisraufarnar (D) til að taka það úr bílstólum.
- Losaðu neðri ólmarnar (N) með því að halda tengjunum með hendinni og ýta á gráa hnappinn með þumfingrinum. Á meðan þú heldur tenginu í hendinni skaltu ýta hægt til að lengja neðri ólmarnar.
- Ýttu á stuðningsfótarhnappinn (R) og felldu stuðningsfótinn (Q) saman í stystu stöðu.
- Fellið hallastíllinn (T) saman í samanbrotna stöðu. Lyftu Axkid MINIKID 4 PRO út úr ökutækkinu.

Ábending: Læstu beltissylgjuna og spenntu beltið áður en þú tekur bílstólinn úr ökutækkinu. Síðan er hægt að nota axlaólmarnar (S) sem burðarhandfang, sem gerir það auðveldara að lyfta bílstólum úr bílnum og flytja hann utan bílsins.

Mikilvægt: Berðu aldrei bílstólinn með því að halda í höfuðpúðann (A).

Endurvinnsla bílstólsins



Axkid mælir eindregið með endurvinnslu á gömlum bílstólum. Áður en þú skilar sætinu á endurvinnslustöð skaltu skera beltisólmarnar af sætinu, fjarlægja áklæðishlífinna, fjarlægja eins marga frauðplasthluta og mögulegt er og aðskilja málm- og plasthluta ef mögulegt er. Aðalhluti sætisins ætti að vera merktur óöruggur eða útrunninn (notið merki) til að hindra að hann sé notaður aftur. Vinsamlegast athugaðu leiðbeiningar sveitarfélagsins til að fá leiðbeiningar um endurvinnslu fyrir mismunandi efni.

Umhirða og viðhald

Stólsáklæðið má þvo í vél við 30°C á mildri stillingu. Setjið áklæðið ekki í þurrkara þar sem það getur skemmt áklæðið og fylliefnið getur losnað af því. Heimsækið www.axkid.com til að finna myndbönd sem útskýra hvernig á að taka af og setja áklæðið á.

Ef skipta þarf um áklæðið skal aðeins nota upprunalegar vörur frá Axkid. Ef aðrar vörur eru notaðar getur öryggiskerfi Axkid bílstólsins verið í hættu og leitt til alvarlegra meiðsla ef slys verður.

Hægt er að þrifa alla plasthluti sem eru í Axkid bílstólsins með mildu þvottaefni og vatni. Notið ekki sterk efni sem innihalda leysiefni og þess háttar þar sem þetta getur valdið skemmdum á plastinu og haft neikvæð áhrif á öryggi bílstólsins.

Áklæðið tekið af:

- Fjarlægðu ASIP-púðann (H) ef hann er festur.
- Togið höfuðpúðann (A) í efstu stöðu. Losaðu beltið með því að ýta á beltislosunarhnappinn (E) og dragðu út báðar axlaólmarnar (S) samtímis.
- Opnaðu rennilásana tvo neðan á höfuðpúðanum (A) og dragðu hlífina varlega af höfuðpúðanum (A).
- Setjið höfuðpúðann (A) í neðstu stöðu.
- Opnaðu beltissylgjuna með því að ýta á losunarhnapp sylgjunnar (C) og taktu af sylgjuhlífina.
- Opnaðu rennilásinn og opnaðu beltisklemmulokið (P) og taktu plastlokið af áklæðinu.
- Opnaðu hnappana 4 á áklæðinu á bakhlið bílstólsins.
- Opnaðu rennilásana tvo á bakinu innan í bílstólum og taktu áklæðið varlega af bílstólum. Farðu varlega í kringum ASIP-púðann og aðrar plasthlífir til að skemma ekki áklæðið. Togið ekki of fast.
- Opnaðu axlapúðana og taktu þá varlega af ríflásnum.

Áklæðið sett á:

- Þegar áklæðið er sett aftur á bílstólinn er farið að öfugt við það þegar það er tekið af.

Athugið: Hægt er að setja axlapúðana í mismunandi stöður. Settu þau upp í stöðu sem hentar barninu þínu, axlapúðarnir ættu að vera staðsettir ofan á axlirnar og á bringu barnsins. Gakktu úr skugga um að gúmmihlið axlapúðans snúi að bringu barnsins.

Ábyrgð

Axkid bílstóllinn er með tveggja ára ábyrgð frá kaupdegi. Geymdu kvittunina og hafðu hana með til söluáðila ef einhver ábyrgðarmál koma upp.

Ábyrgðin nær ekki yfir:

- Eðlilegt slit.
- Tjón vegna rangrar notkunar, vanrækslu eða slyss.
- Ef viðgerðir hafa verið framkvæmdar af þriðja aðila.
- Öll efni sem notuð eru hafa mjög hátt viðnám gegn útfjólubláum geislum. Hins vegar eru útfjólubláir geislar mjög óvægðir og munu smám saman valda upplitun á áklæði stólsins. Ábyrgðin nær ekki yfir þetta þar sem að það er talið eðlilegt slit.
- Meðhöndlið stólinn varlega. Berðu aldrei stólinn með því að halda í höfuðpúðann (A).

Obrigado por escolher a cadeira auto Axxid MINIKID 4 PRO

Leia este manual de instruções antes de instalar a cadeira auto no seu veículo.
Para mais informações e vídeos de instalação, visite www.axkid.com.

Axxid MINIKID 4 PRO é uma cadeira auto virada para trás aprovada para crianças com uma altura entre 61-125 cm, ≤36 kg

Axxid MINIKID 4 PRO é adequada para uso a partir dos seis meses de idade, ou a partir de quando o seu filho pode sentar-se sem apoio.

Este é um sistema de retenção infantil aprimorado com cinto para veículos específicos. É aprovado de acordo com o Regulamento da ONU nº 129, para uso em posições de assento de veículos compatíveis, conforme indicado pela lista de veículos. Em caso de dúvida, consulte o fabricante do sistema de retenção infantil melhorado (www.axkid.com) ou o revendedor.

Informação importante

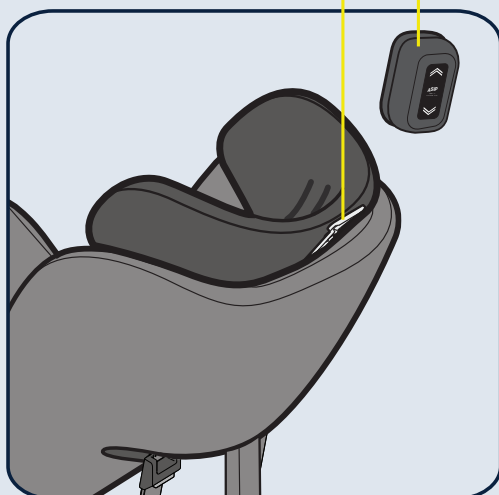
Para maximizar a segurança do seu filho, é importante ter em consideração o seguinte:

- Siga sempre as instruções deste manual. Uma instalação incorreta pode afetar seriamente a segurança do seu filho. Em caso de dúvida, contacte o revendedor que pode demonstrar uma instalação correta.
- Guarde este manual de instruções para consultas futuras. Se o manual for extraviado, pode encontrá-lo online em www.axkid.com
- Não utilize a cadeira de criança numa posição sentada em que esteja instalado um airbag frontal ativo. Se, mesmo assim, pretender instalar a cadeira de criança neste local, o airbag deve ser desligado de acordo com as instruções do fabricante do veículo.
- Se tiver um acidente, mesmo que pequeno, a sua cadeira auto deve sempre ser substituída. Pode ter danos não visíveis e afetar seriamente a segurança do seu filho. Por este motivo, a Axxid não recomenda a compra de cadeiras auto em segunda mão.
- Se a cadeira auto tiver sido exposta à luz solar direta, certifique-se de que não está muito quente antes de instalar o seu filho na mesma.
- Nunca deixe o seu filho sozinho no carro.
- Certifique-se de que qualquer bagagem ou objetos soltos estão presos no veículo, pois podem provocar ferimentos nos passageiros em caso de colisão.
- Assegure-se de que a cadeira auto esteja instalada de maneira a que nenhuma parte fique presa por assentos móveis, portas de carros, etc.
- Se estiver a utilizar correias de fixação inferiores, certifique-se de que são instaladas de forma que não interfiram no movimento de qualquer assento do veículo.
- Este assento automóvel só pode ser instalado voltado para trás.
- Certifique-se sempre de que o arnês está ajustado para se ajustar corretamente ao corpo do seu filho. O arnês é ajustado movendo o suporte da cabeça.
- Certifique-se de que as costas da criança estão encostadas à cadeira auto ao prender o seu filho com o arnês.
- Certifique-se sempre de que o arnês está firmemente apertado contra o seu filho e que a fivela está completamente travada, não deve conseguir apertar as correias.
- Certifique-se de que não há torção no arnês.
- Certifique-se sempre de que a perna de apoio está na posição correta e tem contacto com o chão do veículo. A perna de fixação é um recurso de segurança muito importante desenhado para maximizar a segurança do seu filho num acidente.
- Não tente desmontar ou modificar qualquer parte da cadeira auto. A garantia e o desempenho de segurança da cadeira auto podem ser afetados se o fizer.
- Nunca utilize a cadeira auto sem a capa de tecido. A capa de tecido da cadeira é um recurso de segurança e só pode ser substituída por uma capa de tecido original da cadeira Axxid.
- Leia o manual do veículo e a lista de veículos em www.axkid.com para saber que posições de assento são adequadas para esta cadeira auto.
- A Axxid recomenda sempre a utilização de uma proteção da cadeira para proteger a cadeira auto contra riscos e sujidade.
- Em caso de dúvida, entre em contacto com o revendedor onde a cadeira auto foi adquirida ou entre em contacto com info@axkid.com

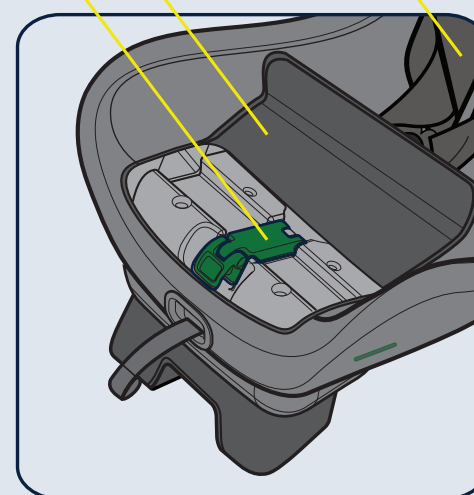
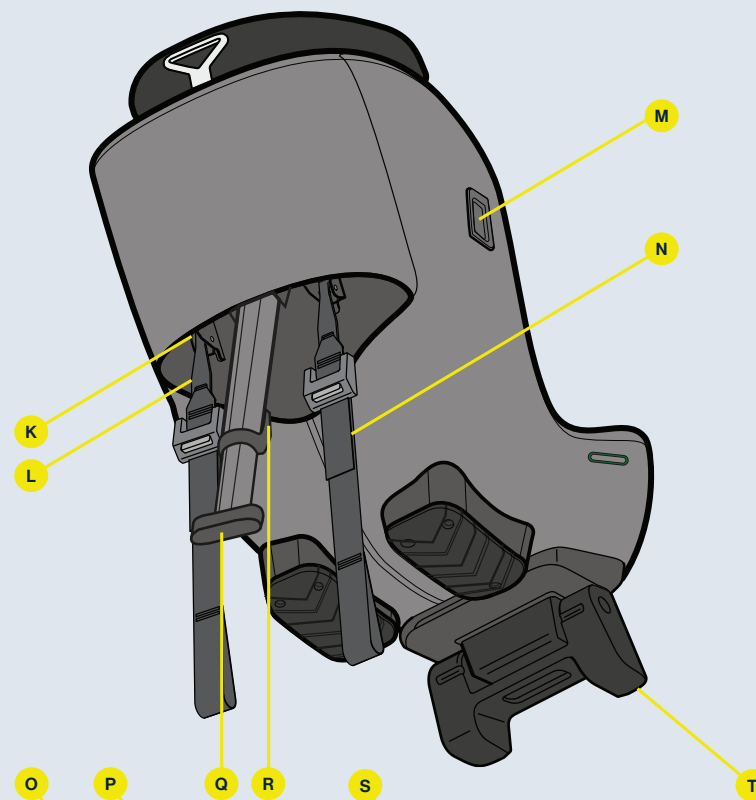
Índice

Peças	164
Posicionamentos permitidos e não permitidos da cadeira auto Axxid MINIKID 4 PRO	166
Ancoragens de corda inferior	166
Instalação de cabos inferiores	167
Instalar a cadeira auto Axxid MINIKID 4 PRO no veículo	168
Colocar a criança na cadeira auto Axxid MINIKID 4 PRO	169
Ajustes do encosto de cabeça	170
Remover a cadeira auto Axxid MINIKID 4 PRO do veículo	170
Cuidado e manutenção	171
Garantia	171

Peças



- A** ENCOSTO DE CABEÇA
- B** ARNÊS INTEGRAL
- C** BOTÃO DE LIBERTAÇÃO DA FIVELA
- D** BANHURA PARA CINTO DE SEGURANÇA
- E** BOTÃO DE LIBERTAÇÃO DO ARNÊS
- F** CORREIA DE TENSÃO DO ARNÊS
- G** ALAVANCA DE TRAVÃO DO ENCOSTO DE CABEÇA
- H** ALMOFADA ASIP
- I** BASE
- J** LINHA VERTICAL



- K** CONECTOR DE CLIPE DE METAL
- L** CLIPE DE METAL
- M** CONECTOR ASIP
- N** CORDA INFERIOR
- O** PRESILHA DO CINTO
- P** TAMPA DA PRESILHA DO CINTO
- Q** PERNA DE APOIO
- R** BOTÃO DA PERNA DE APOIO
- S** CORREIA DE OMBRO
- T** AJUSTADOR DO ÂNGULO DE RECLINAÇÃO



Posicionamentos permitidos e não permitidos da cadeira auto Axkid MINIKID 4 PRO

A cadeira auto Axkid MINIKID 4 PRO só pode ser instalada voltada para trás. Caberá na maioria, mas não em todos os lugares sentados. Verifique o manual de instruções do veículo para encontrar posições sentadas apropriadas e verifique a lista de veículos em www.axkid.com

Banco do passageiro dianteiro (sem airbag ativo)	SIM/NÃO*
Banco do passageiro dianteiro (airbag ativo)	NÃO
Banco do passageiro traseiro com cinto de segurança de 3 pontos	SIM
Assento com cinto de segurança de 2 pontos	NÃO
Cadeiras voltadas para os lados e para trás	NÃO



IMPORTANTE. Se deseja instalar a sua cadeira auto Axkid MINIKID 4 PRO num local onde está instalado um airbag frontal, o airbag deve ser desligado de acordo com as instruções do fabricante do veículo. Observe que alguns veículos exigem que o airbag seja desligado por um centro de serviço autorizado.

* O Regulamento Geral de Trânsito em Espanha, no seu artigo 117, estabelece a proibição de conduzir com crianças de estatura igual ou inferior a 135 centímetros localizadas nos bancos dianteiros do veículo, sem exceções.



Ancoragens de corda inferior Informação importante

As fixações inferiores do cinto de segurança (LTA) são usadas para aumentar a proteção de crianças em carros, fornecendo uma instalação firme e estável para cadeiras auto estendidas com cinto voltadas para trás. Isso aumenta a segurança do seu filho em todos os tipos de colisões, incluindo acidentes de capotamento e impactos traseiros.

As cordas inferiores são um método bem estabelecido que tem sido amplamente utilizado nos países nórdicos há mais de 40 anos. Em 2020, uma nova norma internacional para LTA, ISO 13216-4:2020, foi lançada. Esta norma descreve os requisitos para cordas inferiores para cadeiras auto, mas também para fabricantes de veículos e seus pontos de ancoragem. O objetivo é melhorar a compatibilidade e garantir uma maneira fácil e segura de instalação no futuro.

A Axkid MINIKID 4 PRO inclui duas amarras inferiores para instalação em automóveis com ou sem fixações de amarração inferiores. Os cabos inferiores incluídos estão em conformidade com a norma ISO13216-4:2020 para garantir um ajuste perfeito e uma instalação fácil em veículos com fixações de cabos inferiores pré-instaladas que também estão em conformidade com esta norma. Se o seu veículo tiver pontos de ancoragem que não estejam em conformidade com a norma, as cordas inferiores da Axkid MINIKID 4 PRO ainda poderão caber, mas sem garantias.

Ancoragens de corda inferior pré-instaladas em veículos são frequentemente encontradas nos trilhos dos assentos fixados no chão, mas outras posições também são utilizadas. Verifique o manual de instruções do seu veículo para obter mais informações sobre os pontos de ancoragem utilizáveis.

A Axkid MINIKID 4 PRO vem com tudo o que você precisa para instalar a cadeira auto em seu veículo. No entanto, as fixações de amarração mais baixas e as correias de fixação de amarração extra mais baixas podem ser adquiridas separadamente e tornarão a instalação mais rápida e fácil em vários carros. Alguns fabricantes de veículos também oferecem a possibilidade de adaptar as ancoragens de corda inferior. Contacte o fabricante ou concessionário do seu veículo para obter mais informações. As fixações de amarração mais baixas e as amarras mais baixas da Axkid podem ser adquiridas separadamente.

Nota: Nunca utilize a Axkid MINIKID 4 PRO sem as cordas inferiores. São um importante recurso de segurança e devem ser sempre utilizadas ao instalar a cadeira auto.



Instalação de cabos inferiores

Utilize sempre dois pontos de ancoragem ao instalar a Axkid MINIKID 4 PRO e escolha pontos de ancoragem separados, pois isso proporciona uma instalação mais estável. Dependendo do seu veículo e da posição do assento onde escolher instalar a cadeira auto, existem vários pontos de ancoragem possíveis a utilizar. Veja abaixo as alternativas.

Opções de encaminhamento de cabos inferiores

- alt. **a** Instale a correia em torno da grade do assento na frente da cadeira auto, enfiando a correia entre a grade do assento e o chão do veículo ou através do orifício apropriado da grade do assento.
- alt. **b** Instale a correia em torno da dobradiça do assento do veículo na frente da cadeira auto, enfiando a correia entre o encosto do assento do veículo e a almofada do assento.
- alt. **c** Instale a correia em torno da grade do assento na frente da cadeira auto, enfiando a correia entre a grade do assento e o chão do veículo ou através do orifício apropriado da grade do assento.
- alt. **d** Instale o cabo inferior num ponto de fixação adequado na parte traseira do veículo e encaminhe o cabo por baixo do banco do veículo para a frente do veículo. Certifique-se de que as correias de ancoragem saem pela frente do assento e não pelos lados.
- alt. **e** Ao instalar o Axkid MINIKID 4 PRO no banco do passageiro da frente, o cabo deve ser enrolado em torno do ponto de ancoragem adequado mais próximo que permita apertar totalmente as correias. Pontos de ancoragem colocados mais para trás podem ser usados e, se necessário, o cabo pode ser cruzado e até mesmo em loop junto com outro cabo.

Nota: Certifique-se sempre de que a alteração da posição de qualquer assento do veículo não interfere ou danifica as correias de fixação inferiores instaladas.

Nota: Nunca use objetos pontiagudos para ajudar a passar as correias, pois isso pode danificá-las.



LTA Ao instalar o Axkid MINIKID 4 PRO usando fixações de amarração inferiores (LTA), o cabo inferior (N) pode ser enrolado em torno do conector de clipe de metal (K), e o clipe de metal (L) deve ser conectado à âncora de cabo inferior.



Instalar a cadeira auto Axxkid MINIKID 4 PRO no veículo

Antes de instalar a Axxkid MINIKID 4 PRO, certifique-se de que instalou os cabos de retenção inferiores ou as fixações dos cabos de retenção inferiores no seu veículo. Consulte a secção sobre **Fixações do tirante inferior** e **Instalação dos cabos inferiores** neste manual para obter mais informações e instruções de instalação.

1 Abra o fecho e abra a tampa da presilha do cinto (P).

2 Coloque a Axxkid MINIKID 4 PRO no assento do veículo com a parte traseira da cadeira auto voltada para a frente do veículo. Ajuste o espaço para as pernas do seu filho, simplesmente movendo a cadeira auto para a frente e para trás no assento do veículo. A Axxkid MINIKID 4 PRO pode ser instalada junto ao encosto do banco do veículo, mas nunca pode ser instalada com o calcanhar (J) pendurado na borda do assento do veículo. Certifique-se de que a linha vertical (J) no calcanhar (I) nunca cruza a borda do assento do veículo.

Ajuste o ângulo da cadeira auto pressionando a alavanca de ajuste de reclinção (T) e selecione uma posição de reclinção adequada. Para máxima segurança, escolha uma posição o mais vertical possível, garantindo também que a cabeça do seu filho não cai para a frente durante o sono. Por razões de conforto e segurança, o ângulo de reclinção deve ser ajustado para uma posição mais vertical à medida que o seu filho cresce. Observe que ao tensionar os cabos inferiores (N), a cadeira auto ficará um pouco mais reclinada à medida que afunda na almofada do assento do veículo. Ao instalar a Axxkid MINIKID 4 PRO num banco do passageiro da frente, é possível, mas não necessário, que o encosto da cadeira auto entre em contacto com o painel de instrumentos.

3 Abra a presilha do cinto (O). Puxe o cinto de segurança do veículo ao comprimento de um braço e passe-o pela fenda do cinto de segurança (D) mais próxima de si. Passe o cinto pela presilha do cinto (O) e passe-o pela fenda do cinto de segurança (D) no lado oposto. Conecte o cinto de segurança do veículo com a fivela do cinto de segurança e puxe com força na parte do ombro do cinto de segurança do veículo para remover toda a folga e para apertar a cadeira auto; quanto mais forte puxar, mais firme será a instalação. Para uma instalação ainda mais firme e estável, pressione a cadeira auto enquanto puxa o cinto de ombro. Quando a cadeira auto estiver bem presa, feche a presilha do cinto (O) e fixe o cinto de segurança do veículo na posição. Certifique-se de que o cinto de ombro e o cinto abdominal estão travados em conjunto na presilha do cinto (O). Feche a tampa da presilha do cinto (P) e feche o fecho.

4 Fixe os grampos metálicos (L) aos conectores de cliques metálicos (K) de cada lado da cadeira de criança (ou ligue os grampos metálicos (L) às fixações do seu veículo se forem utilizadas fixações de amarração inferiores para a instalação. Consulte a secção **Instalação de cabos inferiores** neste manual para obter mais informações). Pressione para baixo na parte superior do banco do automóvel enquanto tensiona as amarras inferiores (N). Ao tensionar os cabos inferiores (N), também define o ângulo de reclinção final da cadeira auto. Continue a empurrar a cadeira auto até que esteja firmemente presa e tenha alcançado um ângulo de reclinção adequado.

5 Retire a perna de apoio (Q) da cadeira auto. Pressione o botão da perna de apoio (Q) e puxe a perna de apoio (R) para baixo até que a mesma esteja em contacto com o chão do veículo. Solte o botão da perna de apoio (Q) e levante a cadeira auto para estender ainda mais a perna de apoio (R) até ouvir um clique. A perna de apoio (Q) deve agora ser travada e firmemente pressionada contra o chão do veículo. Certifique-se de que a perna de apoio (Q) está inclinada cerca de 10° em direção à frente do veículo. Verifique novamente o cinto de segurança do veículo para se certificar de que ainda está firmemente tensionado e de que nenhuma folga ocorreu no cinto do quadril ao tensionar as cordas inferiores e a perna de apoio. Se o cinto de segurança do veículo tiver perdido alguma tensão, simplesmente volte a tensioná-lo, repetindo o passo 2 deste guia sem desconectar os cabos inferiores.

6 Empurre a almofada ASIP (H) para as ranhuras do conector ASIP (M) e deslize para baixo; a almofada ASIP (H) encaixará na posição com um clique. Se houver uma tampa de plástico no conector ASIP (M), remova-a e coloque-a no conector ASIP (M) no lado oposto da cadeira antes de encaixar a almofada ASIP (H). Certifique-se de que a almofada ASIP (H) está presa na lateral da cadeira auto Axxkid MINIKID 4 PRO que está mais perto da porta do veículo.



Colocar a criança na cadeira auto Axxkid MINIKID 4 PRO

Antes de prender o seu filho na cadeira auto Axxkid MINIKID 4 PRO, certifique-se de que tem a inserção correta instalado na cadeira. A cadeira auto Axxkid MINIKID 4 PRO foi concebida para crescer com o seu filho e garantir um ajuste confortável e seguro para as crianças. A Axxkid recomenda a utilização da inserção até que esteja demasiado apertada para o seu filho, mas com um comprimento mínimo de acordo com a tabela abaixo (observe que a idade é apenas uma indicação):

Idade	Altura	
Criança 0-3 anos	61-105 cm	
Criança 3-7 anos	106-125 cm	

A Axxkid MINIKID 4 PRO está equipada com um apoio de cabeça ajustável (A). Consulte a secção **Ajuste do apoio de cabeça** para obter mais informações.

7 Ajuste o apoio de cabeça (A) para uma posição aproximada para o seu filho.

8 Solte o arnês pressionando o botão de libertação do arnês (E) e retire as duas correias de ombro (S) ao mesmo tempo. Evite puxar apenas uma correia à vez, pois isso pode fazer com que as correias de ombro (S) fiquem irregulares.

9 Desbloqueie a fivela pressionando o botão de libertação da fivela (C) e coloque as correias fora da cadeira.

10 Coloque o seu filho na cadeira e coloque as correias (S) por cima dos ombros do seu filho. Puxe e segure a alavanca de freio do encosto de cabeça (G) para desbloquear e manter o encosto de cabeça desbloqueado. Empurre para baixo/puxe o apoio de cabeça para cima (A) até uma posição em que as alças dos ombros estejam localizadas no máximo 1 cm acima dos ombros da criança. Trave o arnês posicionando primeiro as partes da fivela que estão presas às correias de ombro (S) juntas e, em seguida, empurre-as para dentro da fivela até ouvir um clique.

11 Puxe as ombreiras (S) para apertar o arnês sobre as ancas do seu filho. Enquanto mantém a tensão nas ombreiras (S), puxe a correia de tensão do arnês (F) diretamente da cadeira auto até que o arnês esteja apertado o suficiente; não deve ser capaz de colocar mais de um dedo entre as ombreiras (S) e os ombros do seu filho.



Ajuste do encosto de cabeça

A Axkid MINIKID 4 PRO está equipada com um apoio de cabeça ajustável (A).

Ao utilizar a cadeira de criança Axkid MINIKID 4 PRO, certifique-se sempre de que o apoio de cabeça está posicionado na altura correta para o seu filho. Verifique se as ombreiras (S) passam pelo assento diretamente dos ombros do seu filho ou no máximo 1 cm acima. Caso contrário, ajuste o encosto de cabeça (A) em conformidade.

Nota: A tensão do arnês tem de ser libertada se o apoio de cabeça não puder ser puxado até uma altura adequada. Pressione o botão de libertação do cinto de segurança (E) para soltar o arnês.



Retirar a cadeira auto Axkid MINIKID 4 PRO do veículo

- Abra o fecho e abra a tampa da presilha do cinto (P). Desbloqueie o cinto de segurança do veículo pressionando o botão vermelho na fivela do cinto de segurança. Abra a presilha do cinto (O) e puxe o cinto de segurança do veículo e oriente-o através das ranhuras do cinto de segurança (D) para removê-lo da cadeira auto.
- Desbloqueie os cabos inferiores (N) segurando nos conectores com a mão e pressionando o botão vermelho com o polegar. Enquanto mantém o conector na mão, empurre lentamente para estender as amarras inferiores.
- Pressione o botão da perna de apoio (R) e recolha a perna de apoio (Q) para a posição mais curta.
- Dobre o regulador do ângulo de reclinção (T) para a sua posição dobrada. Levante o Axkid MINIKID 4 PRO para fora do veículo.

Sugestão: Bloqueie a fivela do arnês e estique o arnês antes de remover a cadeira auto do veículo. Pode então utilizar as ombreiras (S) como alça de transporte, tornando mais fácil levantar a cadeira auto e transportá-la para fora do veículo.

Importante: Nunca transporte a cadeira auto segurando no apoio de cabeça (A).

Reciclar a cadeira auto



A Axkid recomenda vivamente a reciclagem de cadeiras auto antigas. Antes de entregar o assento na estação de reciclagem local, corte as correias do arnês do assento, retire a cobertura têxtil, retire o maior número possível de peças de esferovite e, se possível, separe as peças de metal e de plástico. A parte principal da base deve ser marcada como não segura ou expirada (use um marcador) para dissuadir qualquer pessoa de usá-la novamente. Por favor, verifique as diretrizes municipais locais para instruções de reciclagem para os diferentes materiais.

Cuidado e manutenção

A capa têxtil da cadeira pode ser lavada na máquina a 30° C num ciclo de lavagem suave. Não coloque a capa numa máquina de secar, uma vez que isto pode danificar a capa e o enchimento pode ficar separado do tecido. Visite www.axkid.com para aceder a vídeos que explicam como remover e colocar a capa.

Se for necessário substituir a capa têxtil da cadeira, auto certifique-se de que são apenas utilizados produtos originais da Axkid. Se forem utilizados outros produtos, o sistema de segurança da cadeira auto Axkid pode ficar comprometido e provocar ferimentos graves em caso de acidente. As peças de plástico da cadeira auto Axkid podem ser limpas com um detergente suave e água. Não utilize produtos químicos agressivos com diluentes, etc., pois isso pode causar danos no plástico e comprometer a segurança da cadeira auto.

Remova a capa de tecido:

- Remova a almofada ASIP (H), se estiver instalada.
- Puxe o encosto de cabeça (A) para a posição mais alta. Solte o arnês pressionando o botão de libertação do arnês (E) e retire as duas ombreiras (S) ao mesmo tempo.
- Abra os dois fechos na parte inferior do apoio de cabeça (A) e retire cuidadosamente a capa do apoio de cabeça (A).
- Baixe o encosto de cabeça (A) para a posição mais baixa.
- Desbloqueie a fivela do arnês pressionando o botão de libertação da fivela (C) e remova a tampa da fivela.
- Abra o fecho e abra a tampa da presilha do cinto (P) e remova a tampa de plástico da capa têxtil.
- Abra os 4 botões do revestimento têxtil situado na parte de trás do banco do automóvel.
- Abra os dois fechos no encosto do lado interno da cadeira auto e remova com cuidado a capa têxtil da cadeira auto. Tenha cuidado à volta da almofada ASIP e de outras coberturas de plástico para evitar danificar o tecido. Não puxe com força.
- Abra as ombreiras e remova-as com cuidado do velcro.

Instalar a capa têxtil:

- Inverta os passos da instrução acima para instalar a capa têxtil na cadeira auto novamente.

Nota: As ombreiras podem ser instaladas em diferentes posições. Instale-as numa posição adequada para o seu filho; as ombreiras devem ser posicionadas em cima do ombro e no peito do seu filho. Certifique-se também de que o lado de borracha da ombreira está voltado para o peito do seu filho.

Garantia

A cadeira auto Axkid está coberta por uma garantia de 24 meses a partir da data de compra. Certifique-se de que guarda o seu recibo e que o tem consigo quando se dirigir ao local de comprar caso tenha algum problema relativamente à garantia.

A garantia não abrange:

- Utilização e desgaste normais.
- Danos devido a utilização incorreta, negligência ou acidente.
- Se tiverem sido realizadas reparações por terceiros.
- Todos os materiais utilizados têm uma classificação de resistência UV muito elevada. No entanto, a luz UV é muito agressiva e irá acabar por desvanecer o revestimento do banco. Isto não é abrangido pela nossa garantia, pois é considerado utilização e desgaste normais.
- Manuseie a cadeira auto com cuidado. Nunca transporte a cadeira segurando no apoio de cabeça (A).

Vă mulțumim pentru că ați ales Axxkid MINIKID 4 PRO

Citiți acest manual de instrucțiuni înainte de a instala scaunul auto în vehicul.
Pentru informații suplimentare și videoclipuri de instalare, vizitați www.axkid.com.

Axxkid MINIKID 4 PRO 61-125 este un scaun auto, aprobat pentru montare cu spatele la direcția de mers, destinat copiilor cu înălțimea între 61 și 125 cm, ≤36 kg

Axxkid MINIKID 4 PRO este recomandat de la vârsta de aproximativ șase luni sau din momentul în care copilul poate să stea așezat fără ajutor.

Este un sistem integrat de scaun auto pentru copii. Este aprobat, conform Regulamentului ONU nr. 129, pentru montarea pe scaunele de mașină compatibile, indicate în lista de vehicule. Dacă aveți nelămuriri, consultați producătorul scaunului auto pentru copii îmbunătățit (www.axkid.com) sau distribuitorul.

Informații importante

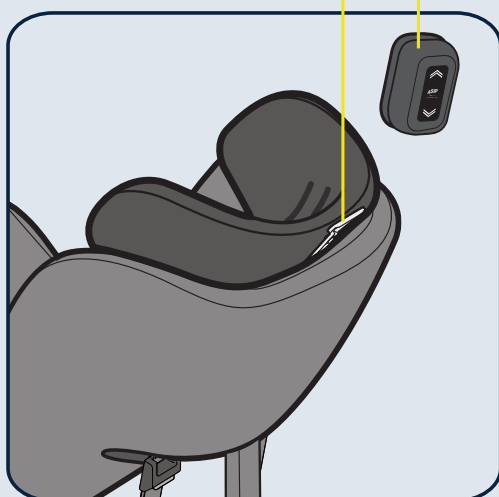
Pentru a mări la maxim siguranța copilului dvs., este important să aveți în vedere următoarele:

- Urmați întotdeauna instrucțiunile din acest manual. Instalarea incorectă poate afecta grav siguranța copilului. Dacă aveți nelămuriri, contactați distribuitorul care poate oferi demonstrația unei instalări corecte.
- Păstrați acest manual de instrucțiuni pentru referințe ulterioare. Dacă pierdeți manualul, îl găsiți online, la adresa www.axkid.com
- Nu utilizați scaunul auto pe scaune din mașină dotate cu airbag frontal activ. Dacă doriți, totuși, să instalați scaunul auto pe un astfel de scaun, airbagul trebuie să fie dezactivat în conformitate cu instrucțiunile producătorului mașinii.
- În caz de accident, fie și unul aparent nesemnificativ, scaunul auto trebuie înlocuit. Este posibil să fi suferit deteriorări care nu se văd și care pot afecta grav siguranța copilului. Din acest motiv, Axxkid nu recomandă achiziționarea de scaune auto utilizate.
- Dacă scaunul auto a stat în bătaia directă a razelor soarelui, asigurați-vă că scaunul nu este prea fierbinte, înainte să așezați copilul.
- Nu lăsați niciodată copilul nesupravegheat în mașină.
- Asigurați-vă că bagajele sau obiectele sunt fixate în vehicul, deoarece acestea le pot provoca vătămări pasagerilor în caz de accident.
- Aveți grijă ca scaunul auto să fie montat astfel încât nicio componentă să nu fie blocată de scaunele care se mișcă, de portiere etc.
- Dacă utilizați chingile de fixare inferioare, aveți grijă să le montați astfel încât să nu afecteze mișcările niciunui scaun din mașină.
- Scaunul auto se poate instala numai cu spatele la direcția de mers.
- Asigurați-vă întotdeauna că hamul este reglat corect pe corpul copilului. Hamul se reglează prin mișcarea tetierei.
- Atunci când îi puneți hamul, aveți grijă să așezați copilul cu spatele rezemat de spătarul scaunului auto.
- Strângeți întotdeauna corect hamul pe copil și închideți complet catarama. Chingile nu trebuie să facă cute.
- Aveți grijă să nu răsuciți chingile hamului.
- Aveți grijă întotdeauna ca piciorul de sprijin să stea în poziția corectă, în contact cu podeaua mașinii. Piciorul de sprijin este o componentă foarte importantă, proiectată pentru a oferi siguranță maximă copilului, în caz de accident.
- Nu încercați să demontați sau să modificați nicio piesă a scaunului auto. Asemenea intervenții pot afecta garanția și caracteristicile de siguranță ale scaunului auto.
- Nu utilizați niciodată scaunul auto fără husa din material textil. Husa din material textil este o componentă de siguranță și nu se poate înlocui decât cu o altă husă originală Axxkid, din material textil.
- Citiți manualul mașinii și lista de vehicule de la adresa www.axkid.com ca să aflați în ce poziții din mașină se poate monta acest scaun auto.
- Axxkid recomandă întotdeauna utilizarea unei protecții de scaun pentru a proteja scaunele mașinii de zgârieturi și murdărie.
- Dacă aveți nelămuriri, luați legătura cu distribuitorul de la care ați cumpărat scaunul auto sau contactați info@axkid.com

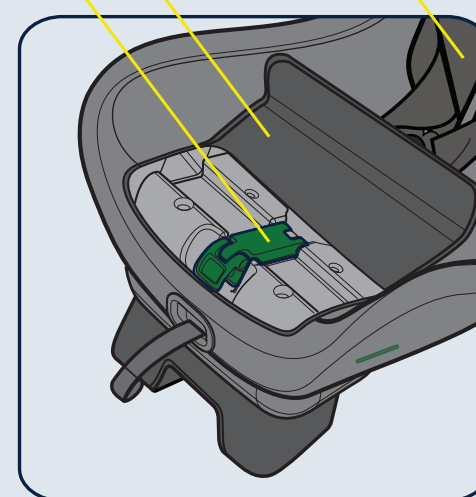
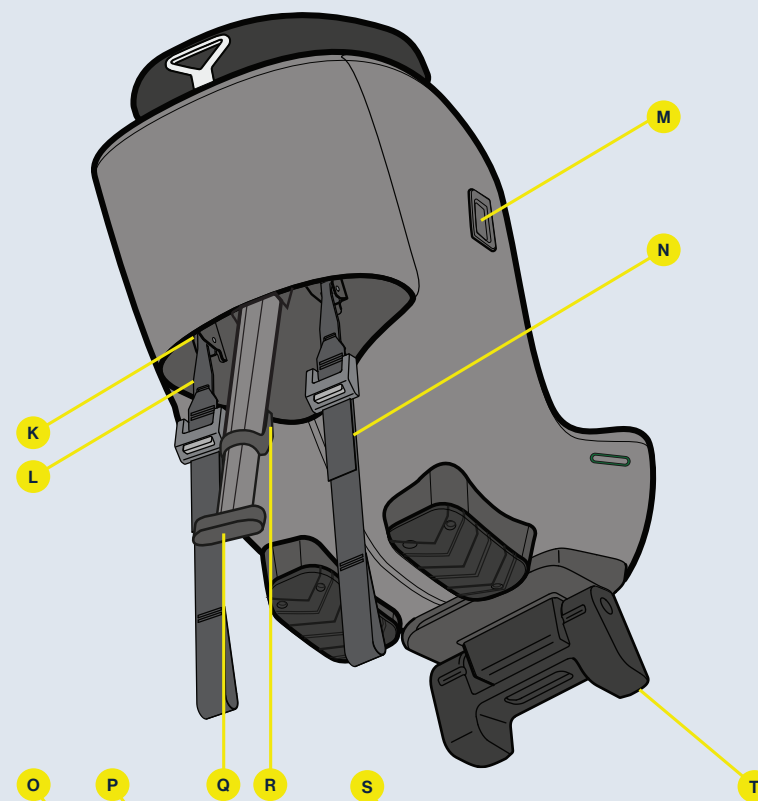
Cuprins

Componente	174
Poziționarea permisă și nepermisă a scaunului auto Axxkid MINIKID 4 PRO	176
Puncte de fixare inferioare	176
Instalarea fixatoarelor inferioare	177
Instalarea scaunului auto Axxkid MINIKID 4 PRO în vehicul	178
Fixarea copilului în scaunul auto Axxkid MINIKID 4 PRO	179
Reglajele tetierei	180
Scoaterea scaunului auto Axxkid MINIKID 4 PRO din vehicul	180
Îngrijire și întreținere	181
Garanția	181

Componente



- A** TETIERĂ
- B** HAM INTEGRAT
- C** BUTON DE DESCHIDERE A CATARAMEI
- D** FANTĂ PENTRU CENTURA DE SIGURANȚĂ
- E** BUTON DE DESCHIDERE A HAMULUI
- F** CHINGĂ DE TENSIONARE A HAMULUI
- G** PÂRGHIE DE BLOCARE A TETIEREI
- H** PROTECȚIE ASIP
- I** BAZĂ
- J** LINIE VERTICALĂ



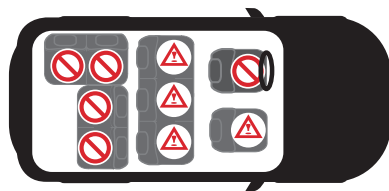
- K** CONECTOR CU CLEMĂ METALICĂ
- L** CLEMĂ METALICĂ
- M** CONECTOR ASIP
- N** FIXATOR INFERIOR
- O** CLEMĂ DE CENTURĂ
- P** CAPACUL CLEMEI DE CENTURĂ
- Q** PICIOR DE SPRIJIN
- R** BUTONUL PICIORULUI DE SPRIJIN
- S** CHINGĂ PENTRU UMĂR
- T** REGLAJUL UNGHIIULUI DE ÎNCLINARE



Poziționarea permisă și nepermisă a scaunului auto Axkid MINIKID 4 PRO

Scaunul auto Axkid MINIKID 4 PRO se poate instala numai cu spatele la direcția de mers. Se va potrivi în majoritatea scaunelor de mașină, dar nu în toate. Consultați manualul de instrucțiuni al vehiculului pentru a găsi un scaun potrivit și verificați lista de vehicule de la adresa www.axkid.com

Scaun de pasager față (fără airbag activ)	DA/NU*
Scaun de pasager față (airbag activ)	NU
Scaun de pasager în spate, cu centură de siguranță cu prindere în 3 puncte	DA
Scaun cu centură de siguranță cu prindere în 2 puncte	NU
Scaune orientate lateral și înapoi	NU



IMPORTANT: Dacă doriți să montați scaunul auto Axkid MINIKID 4 PRO pe un scaun cu airbag frontal, airbagul trebuie deconectat conform instrucțiunilor producătorului vehiculului. Rețineți că unele airbagurile ale anumitor vehicule pot fi deconectate numai într-un atelier de service autorizat.

* Articolul 117 al Regulamentului rutier general din Spania interzice transportul copiilor cu înălțime mai mică decât sau egală cu 135 cm pe scaunele din față ale vehiculelor, fără excepții.



Puncte de fixare inferioare Informații importante

Punctele de ancorare inferioare (LTA) se folosesc pentru a proteja mai bine copiii în mașini, prin asigurarea fixării ferme și stabile, cu centura de siguranță a scaunelor auto pentru copii orientate cu spatele la direcția de mers. Acest lucru îmbunătățește siguranța copiilor în toate tipurile de coliziuni, inclusiv în cazul răsturnărilor și al tamponărilor din spate.

Fixatoarele inferioare reprezintă o metodă consacrată, utilizată pe scară largă în țările nordice, de peste 40 de ani. În 2020 a fost lansat un nou standard internațional pentru fixările inferioare, ISO13216-4:2020. Acest standard descrie cerințele de fixare inferioară, atât pentru scaunele auto, cât și pentru producătorii de mașini și pentru punctele de fixare. Obiectivul este asigurarea compatibilității și a unei modalități de montare sigure și facile în viitor.

Axkid MINIKID 4 PRO include două fixatoare inferioare pentru instalarea în mașini cu sau fără puncte de ancorare inferioare. Fixatoarele inferioare incluse respectă ISO13216-4:2020 pentru a se potrivi perfect cu punctele de fixare inferioare din mașini care respectă același standard, ceea ce facilitează instalarea. Chiar dacă mașina dvs. are puncte de fixare care nu respectă standardul, este probabil, deși nu garantat, că fixatoarele inferioare ale Axkid MINIKID 4 PRO se potrivesc cu acestea.

Punctele de fixare inferioare preinstalate în mașini se găsesc adesea pe șinele de scaune, prinse pe podea, dar se folosesc și alte poziții. Pentru informații suplimentare despre punctele de fixare pe care le puteți utiliza, consultați manualul de instrucțiuni al mașinii.

Axkid MINIKID 4 PRO vine cu tot ce ai nevoie pentru a instala scaunul auto în mașina dumneavoastră. Cu toate acestea, punctele de ancorare inferioare și chingile de fixare inferioare pot fi achiziționate separat și vor face instalarea mai rapidă și mai ușoară în mai multe mașini. Unii fabricanți de automobile oferă și posibilitatea adaptării punctelor de fixare inferioare. Contactați producătorul sau distribuitorul vehiculului pentru mai multe informații. Punctele de fixare inferioare Axkid retrofit și fixatoarele inferioare suplimentare pot fi achiziționate separat.

Notă: Nu utilizați niciodată Axkid MINIKID 4 PRO fără să-l prindeți cu fixatoarele inferioare. Acestea sunt importante pentru siguranță și trebuie folosite ori de câte ori se montează scaunul de copil în mașină.



Instalarea fixatoarelor inferioare

Ori de câte ori instalați Axkid MINIKID 4 PRO, folosiți ambele puncte de fixare și alegeți puncte separate pentru ca scaunul pentru copii să stea mai stabil. În funcție de vehicul și de scaunul ales pentru montarea scaunului de copii, pot fi utilizate diferite puncte de ancorare. Alternativele sunt descrise mai jos.

Opțiuni de amplasare a fixatoarelor inferioare

- alt. **a** Așezați fixatorul în jurul șinei scaunului din fața scaunului pentru copii: treceți fixatorul între șina scaunului și podeaua mașinii sau printr-un orificiu corespunzător din șină.
- alt. **b** Așezați fixatorul în jurul articulației scaunului din fața scaunului auto pentru copii: treceți fixatorul între spătarul și perna de șezut.
- alt. **c** Așezați fixatorul în jurul șinei scaunului aflată sub scaunul pentru copii: treceți fixatorul între șina scaunului și podeaua mașinii sau printr-un orificiu corespunzător din șină.
- alt. **d** Așezați fixatorul inferior într-un punct de ancorare adecvat în partea din spate a vehiculului și treceți fixatorul pe sub scaunul vehiculului către partea din față a vehiculului. Asigurați-vă că fixatorul inferior iese în fața scaunului, nu în părțile laterale.
- alt. **e** Atunci când instalați Axkid MINIKID 4 PRO pe scaunul pasagerului din față, fixatorul trebuie înfășurat în jurul celui mai apropiat punct de ancorare adecvat, care va permite strângerea completă a chingilor. Pot fi utilizate puncte de ancorare amplasate mai în spate și, dacă este necesar, fixatorul poate fi trecut peste și chiar buclat împreună cu un alt fixator.

Notă: Asigurați-vă întotdeauna ca schimbarea poziției vreunui dintre scaunele mașinii nu afectează și nu deteriorează fixatoarele inferioare.

Notă: Nu folosiți niciodată obiecte ascuțite pentru a așeza fixatoarele pentru că le pot deteriora.



LTA Atunci când instalați Axkid MINIKID 4 PRO folosind puncte de ancorare inferioare (LTA), fixatorul inferior (N) poate fi buclat în jurul conectorului clemei metalice (K), iar clema metalică (L) trebuie conectată la punctul de ancorare inferior.



Instalarea scaunului auto Axxkid MINIKID 4 PRO în vehicul

Înainte de a instala Axxkid MINIKID 4 PRO, asigurați-vă că aveți fixatoare inferioare sau puncte de fixare inferioare în vehicul. Consultați secțiunea din acest manual care prezintă **punctele de fixare inferioare** și **fixatoarele inferioare** pentru multe informații și instrucțiuni de instalare.

1 Desfaceți fermoarul și deschideți capacul clemei de centură (P).

2 Puneți Axxkid MINIKID 4 PRO pe scaunul din mașină, cu spătarul spre partea din față a vehiculului. Deplasați scaunul din mașină înainte sau înapoi, astfel încât copilul să aibă suficient loc pentru picioare. Axxkid MINIKID 4 PRO se poate monta astfel încât să atingă spătarul scaunului din mașină, dar nu se va instala niciodată cu baza (I) depășind marginea scaunului din mașină. Aveți grijă ca linia verticală (J) de pe bază (I) nu depășește niciodată marginea scaunului din mașină.

Reglați unghiul scaunului auto alegând o poziție de înclinare corespunzătoare cu ajutorul reglajului unghiului de înclinare (T). Pentru siguranță maximă, alegeți o poziție cât mai apropiată de verticală, dar asigurați-vă că, în cazul în care adoarme, capul copilului nu va cădea înainte. Din considerente de confort și siguranță, unghiul trebuie adus mai aproape de verticală pe măsură ce copilul crește. Nu uitați că, atunci când întindeți fixatoarele inferioare (N), scaunul auto se va înclina un pic mai mult, pentru că se va lăsa pe perna de șezut a scaunului din mașină. În cazul în care montați Axxkid MINIKID 4 PRO pe scaunul pasagerului din față, este posibil, deși nu obligatoriu, ca spătarul scaunului auto pentru copii să atingă bordul.

3 Deschideți clema de centură (O). Trageți centura de siguranță a scaunului din mașină (cam o lungime de braț) și treceți-o prin cea fanta de centură cea mai apropiată de dvs. (D). Treceți centura prin clema (O), apoi prin fanta de centură (D) din cealaltă parte. Prindeți centura de siguranță cu catarama și trageți puternic de partea care vine pe umăr, astfel încât centura să se întindă complet, ca să fixați scaunul auto. Cu cât trageți mai puternic, cu atât mai ferm va sta scaunul auto. Ca montarea să fie și mai fermă și stabilă, apăsați pe scaunul auto în timp de trageți centura de siguranță. După ce ați fixat bine scaunul auto, închideți clema de centură (O) și blocați în poziție centura de siguranță. Asigurați-vă că atât porțiunea care vine pe umăr, cât și cea abdominală sunt blocate corect în clema de centură (O). Închideți capacul clemei de centură (P) și închideți fermoarul.

4 Atașați clemele metalice (L) la conectorii cu cleme metalice (K) de pe fiecare parte a scaunului pentru copii (sau conectați clemele metalice (L) la punctele de ancorare din vehicul dacă pentru instalare se utilizează puncte de ancorare inferioare. Pentru informații suplimentare, consultați secțiunea **Instalarea fixatoarelor** inferioare din acest manual). Apăsați pe partea superioară a scaunului auto în timp ce tensionați fixatoarele inferioare (N). Prin tensionarea fixatoarelor inferioare (N), stabiliți și unghiul final de înclinare a scaunului auto. Împingeți și tensionați scaunul de copii în scaunul din mașină până când se fixează ferm și ați obținut unghiul de înclinare corespunzător.

5 Extindeți piciorul de sprijin (Q) al scaunului auto. Apăsați butonul piciorului de sprijin (R) și trageți piciorul de sprijin (Q) în jos, până când atinge podeaua vehiculului. Eliberați butonul piciorului de sprijin (R) și ridicați scaunul auto pentru a întinde și mai mult piciorul de sprijin (Q) până când auziți un clic. În acest moment piciorul de sprijin (Q) trebuie să fie blocat și apăsat ferm în podeaua vehiculului. Asigurați-vă că piciorul de sprijin (Q) stă sub unghi de aproximativ 10° față de partea din față a vehiculului. Verificați din nou centura de siguranță pentru a vă asigura că este bine întinsă, că partea abdominală nu s-a lăsat în timpul tensionării fixatoarelor inferioare și a piciorului de sprijin. Dacă centura de siguranță nu mai este bine întinsă, repetați, pur și simplu, pasul 2 din acest ghid, fără a decupla fixatoarele inferioare.

6 Împingeți protecția ASIP (H) în fantele conectorului ASIP (M) și gâscați-o în jos. Protecția ASIP (H) se va fixa cu un clic. În cazul în care conectorul ASIP (M) are un capac de plastic, scoateți-l și puneți-l pe conectorul ASIP (M) în partea opusă scaunului, înainte de a monta protecția ASIP (H). Asigurați-vă că protecția ASIP (H) este fixată lateral pe scaunul Axxkid MINIKID 4 PRO, pe partea mai apropiată de portiera vehiculului.



Fixarea copilului în scaunul auto Axxkid MINIKID 4 PRO

Înainte de a așeza copilul în scaunul auto Axxkid MINIKID 4 PRO, asigurați-vă că ați montat inserția corectă. Scaunul Axxkid MINIKID 4 PRO a fost proiectat astfel încât să crească odată cu copilul și să-i asigure confort și siguranță. Axxkid recomandă utilizarea inserției până când devine prea strâns pentru copil, dar cel puțin până la înălțimea menționată în tabelul de mai jos (atenție: vârsta este dată doar cu titlu informativ):

Vârsta	Înălțime	
Copil mic 0-3 ani	61-105 cm	
Copil 3-7 ani	106 - 125 cm	

Axxkid MINIKID 4 PRO este echipat cu tetieră reglabilă (A). Pentru informații suplimentare, consultați **secțiunea despre reglarea tetierei**.

7 Reglați tetiera (A) într-o poziție aproximativă pentru copilul dumneavoastră.

8 Lărgiți hamul: apăsați butonul de deblocare (E) și scoateți simultan cele două chingii de umăr (S). Aveți grijă să trageți de cele două chingii de umăr (S) în același timp, altfel pot deveni inegale.

9 Deblocați catarama hamului apăsând butonul de deblocare a acesteia (C) și așezați chingile în afara scaunului.

10 Așezați copilul pe scaun și puneți-i chingile de umăr (S) peste umeri. Trageți și țineți apăsată pârghia de blocare a tetierei (G) pentru a debloca și a menține tetiera deblocată. Împingeți/trageți în sus tetiera (A) într-o poziție în care curelele de umăr sunt situate la maximum 1 cm deasupra umerilor copilului. Blocați hamul: imbrinați întâi părțile de cataramă de pe chingile de umăr (S), apoi împingeți-le în cataramă, până când se aude un clic.

11 Trageți de chingile de umăr (S) pentru a strânge hamul peste șoldurile copilului. Păstrând tensiunea în chingile de umăr (S), trageți de chinga de tensionare a hamului (F) direct din scaunul auto, până când hamul este suficient de strâns: nu trebuie să intre mai mult de un deget între chingile de umăr (S) și umerii copilului.



Reglarea tetierei

Axkid MINIKID 4 PRO este echipat cu tetieră reglabilă (A).

Asigurați-vă întotdeauna că tetiera este poziționată la înălțimea corectă pentru copilul dumneavoastră atunci când utilizați scaunul Axkid MINIKID 4 PRO pentru copii orientat cu spatele la direcția de mers. Asigurați-vă că chingile de umăr (S) trec prin spătar la înălțimea umerilor copilului sau la cel mult 1 cm deasupra. Dacă nu, reglați tetiera (A) în consecință.

Notă: Tensiunea hamului trebuie eliberată dacă tetiera nu poate fi trasă până la o înălțime adecvată. Apăsăți butonul de eliberare a centurii (E) pentru a slăbi hamul.



Scoaterea scaunului auto Axkid MINIKID 4 PRO din vehicul

- Desfaceți fermoarul și deschideți capacul clemei de centură (P). Desfaceți centura de siguranță: apăsați butonul roșu din cataramă. Deschideți clema de centură (O) și trageți de centura de siguranță. Treceți centura prin fantele de centură (D) pentru a o scoate din scaunul auto.
- Deblocați fixatoarele inferioare (N): țineți conectoarele cu mâna și apăsați butonul gri cu degetul mare. În timp ce țineți conectorul în mână, împingeți încet pentru a extinde fixatoarele inferioare.
- Împingeți piciorul de sprijin (R) și strângeți-l (Q) astfel încât să ajungă la lungimea minimă.
- Îndoiiți dispozitivul de reglare a unghiului de inclinare (T) în poziția pliată. Ridicați Axkid MINIKID 4 PRO și scoateți-l din vehicul.

Sfat: Blocați catarama hamului și strângeți hamul înainte de a scoate scaunul auto din vehicul. Ulterior, puteți folosi chingile de umăr (S) ca mâner, ceea ce facilitează scoaterea scaunului auto și transportul acestuia în afara vehiculului.

Important: Nu transportați niciodată scaunul auto ținându-l de tetieră (A).

Reciclarea scaunului auto



Axkid recomandă reciclarea scaunelor auto vechi. Înainte de a lăsa scaunul la stația locală de reciclare, tăiați curelele hamului de pe scaun, scoateți husa textilă, îndepărtați cât mai multe piese din polistiren, separați piesele metalice și cele din plastic, dacă este posibil. Partea principală a scaunului ar trebui să fie marcată nesigură sau expirată (utilizați un marker) pentru a descuraja orice persoană să o folosească din nou. Vă rugăm să consultați instrucțiunile municipale locale pentru instrucțiuni de reciclare pentru diferite materiale.

Îngrijire și întreținere

Husa din material textil se poate spăla în mașină, la 30 °C, folosind un program pentru materiale delicate. Nu puneți husa într-un uscător rotativ: se poate deteriora, iar căptușeala se poate separa de țesătură. La www.axkid.com veți găsi videoclipuri care prezintă scoatere și atașarea husei.

Dacă husa din material a scaunului auto trebuie înlocuită, asigurați-vă că sunt utilizate numai produse originale de la Axkid. Dacă sunt utilizate alte produse, sistemul de siguranță al scaunului auto Axkid poate fi compromis și pot fi cauzate vătămări grave în caz de accident.

Componentele din plastic ale scaunului auto Axkid pot fi curățate cu detergent blând și apă. Nu utilizați substanțe chimice agresive care conțin solvenți etc. deoarece pot deteriora plasticul și pot compromite siguranța scaunului auto.

Scoateți husa din material plastic:

- Dacă este montată, scoateți protecția ASIP (H).
- Trageți tetiera (A) în poziția cea mai de sus. Lărgiți hamul apăsând butonul de deblocare (E) și scoateți simultan cele două chingi de umăr (S).
- Desfaceți cele două fermoare din partea de jos a tetierei (A) și trageți cu grijă husa de pe tetieră (A).
- Trageți tetiera (A) în poziția cea mai de jos.
- Desfaceți catarama hamului apăsând butonul de deblocare a acesteia (C) și scoateți capacul de cataramă.
- Desfaceți fermoarul și deschideți capacul clemei de centură (P), apoi scoateți capacul de plastic din husa din material textil.
- Desfaceți cele 4 capse de pe husa din material textil, în partea din spate a scaunului auto.
- Desfaceți cele două fermoare de la spătar, din interiorul scaunului auto, apoi scoateți cu grijă husa de pe scaunul auto. Aveți grijă în jurul protecției ASIP și al celorlalte capace de plastic pentru a evita deteriorarea husei din material textil. Nu trageți prea tare.
- Desfaceți căptușelile de umăr și îndepărtați-le cu grijă de pe prinderea cu scai.

Instalarea husei din material textil:

- Parcurgeți, în ordine inversă, instrucțiunile de mai sus pentru a pune husa din material textil înapoi pe scaunul auto.

Notă: căptușelile pentru umeri se pot monta în diferite poziții. Puneți-le într-o poziție potrivită pentru copil: peste umărul și pe pieptul copilului. De asemenea, aveți grijă ca partea cauciucată a căptușelii de umăr să fie întoarsă spre pieptul copilului.

Garanție

Scaunul pentru copii Axkid are garanție de 24 de luni de la data cumpărării. Asigurați-vă că păstrați chitanța și prezentați-o la locul de achiziție dacă aveți orice fel de problemă cu garanția.

Garanția nu acoperă:

- uzura normală
- deteriorări cauzate de utilizarea incorectă, neglijență sau accident
- dacă o terță parte a executat lucrări de reparații
- Toate materialele utilizate au un nivel foarte ridicat de rezistență la raze UV. Cu toate acestea, lumina UV este foarte agresivă și va produce în cele din urmă decolorarea husei scaunului. Acest lucru nu este acoperit de garanție pentru că este considerat uzură normală.
- Manipulați cu atenție scaunul. Nu transportați scaunul auto ținându-l de tetieră (A).

نشكركم على اختيار مقعد Axxkid MINIKID 4 PRO

اقرأ كتيب الإرشادات هذا قبل تركيب مقعد الأطفال في سيارتك. للحصول على المزيد من المعلومات ومشاهدة مقاطع فيديو حول عملية التركيب، تفضل بزيارة www.axkid.com.

Axxkid MINIKID 4 PRO هو مقعد أطفال بوضع مواجه إلى الخلف ومعتمد للأطفال الذين يتراوح طولهم بين 61 و125 سم، ويزن ≥ 36 كجم

يناسب مقعد Axxkid MINIKID 4 PRO الاستخدام من سن ستة أشهر تقريبًا، أو من الوقت الذي يستطيع فيه طفلك الجلوس بمفرده دون مساعدة.

هذا نظام متكامل معزز بحزام لتقييد حركة الطفل في مركبة محددة، وهو معتمد وفقًا للائحة الأمم المتحدة رقم 129، من أجل الاستخدام في أماكن الجلوس المتوافقة بالسيارة كما هو موضح في قائمة المركبات. في حالة عدم التأكد من أي خطوة أو إجراء، عليك استشارة شركة تصنيع النظام المُعزّن لتقييد حركة الطفل في السيارة (www.axkid.com) أو بائع التجزئة.

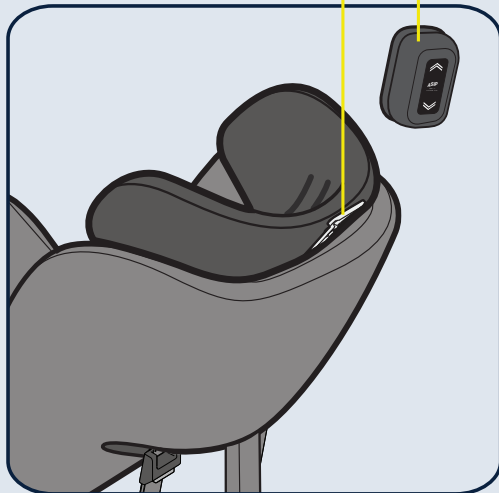
معلومات مهمة

لزيادة سلامة طفلك، من المهم مراعاة ما يلي:

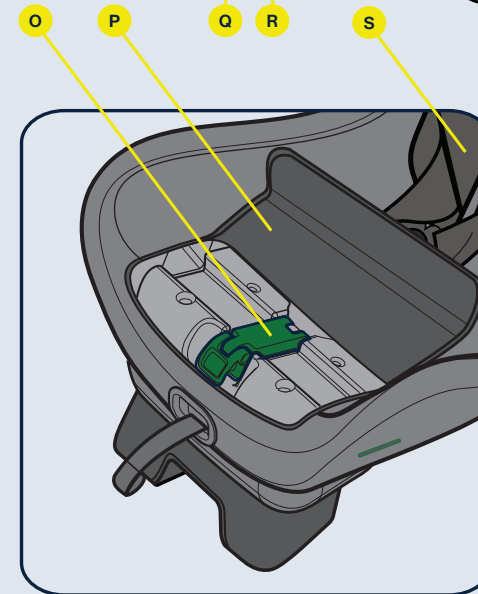
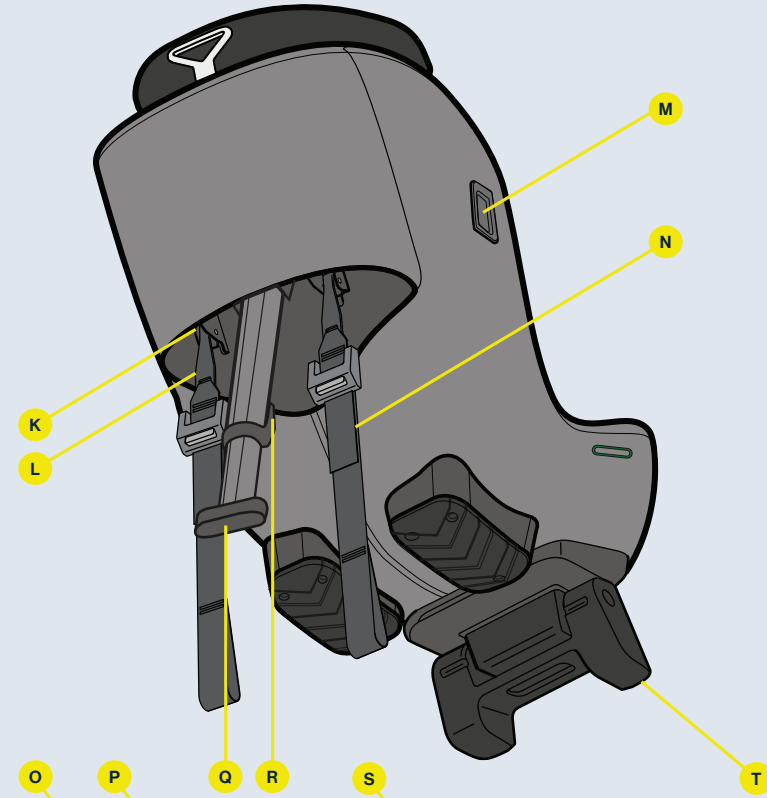
- اتبع دائمًا الإرشادات الواردة في هذا الكتيب. قد يتسبب التركيب غير الصحيح للكرسي في تعريض سلامة طفلك لضرر جسيم، في حالة عدم التأكد من أي خطوة أو إجراء، عليك الاتصال ببائع التجزئة الذي سيكون بإمكانه توضيح طريقة التركيب السليمة.
- احتفظ بدليل التعليمات هذا للرجوع إليه في المستقبل. في حالة فقدان الكتيب، يمكنك إيجاده في الموقع www.axkid.com.
- لا تستخدم مقعد الأطفال في موضع جلوس يحتوي على وسادة هوائية أمامية نشطة. إذا كنت لا تزال ترغب في تركيب مقعد الأطفال في هذا الموضع، يجب إيقاف تشغيل الوسادة الهوائية وفقًا لإرشادات الشركات المصنعة للسيارات.
- في حالة التعرض لحادث، مهما كان بسيطًا، يجب دائمًا تغيير مقعد الأطفال. قد يكون له ضرر غير مرئي، كما يمكن أن يؤثر بشكل خطير في سلامة طفلك. لهذا السبب، لا توصي Axxkid بشراء مقاعد أطفال مستعملة لطفلك.
- في حالة تعرض مقعد الأطفال لضوء الشمس المباشر، تأكد من عدم سخونة مقعد الأطفال بدرجة كبيرة للغاية قبل وضع طفلك.
- لا تترك طفلك مطلقًا في السيارة بمفرده دون مراقبته.
- تأكد من إحكام تثبيت أي أمتعة أو أفراس غير مثبتة في سيارتك؛ إذ إنها قد تتسبب في إلحاق إصابات بالركاب في حالة وقوع حادث.
- تأكد من تركيب مقعد الأطفال بطريقة لا تصبح معها أي أجزاء عالقة بفعل المقاعد المتحركة، وأبواب السيارة، وما إلى ذلك.
- إذا كنت تستخدم أحزمة تثبيت سفلية، فتأكد من تثبيتها بطريقة لا تتعارض مع حركة أي مقعد في السيارة.
- لا يمكن تركيب مقعد الأطفال إلا في وضع مواجه للخلف.
- تأكد دائمًا من ضبط حمالة الأمان بما يتلاءم بشكل صحيح مع وزن طفلك. يتم ضبط حمالة الأمان بتحرك دعامة الرأس.
- تأكد من دفع ظهر الطفل نحو كرسي السيارة عند تثبيت طفلك باستخدام حزام الأمان.
- تأكد دائمًا من ربط حمالة الأمان بإحكام على طفلك ومن إقفال الإبزيم بالكامل، ويجب ألا تكون قادرًا على إمساك الأشرطة بيدك.
- تأكد من عدم وجود التواء في حمالة الأمان.
- تأكد دائمًا من أن ساق المسند في موضعها الصحيح وأنها ملائمة لأرضية السيارة. تُعدّ ساق المسند إحدى خواص السلامة الهامة للغاية، وتُصمّم بغرض زيادة سلامة طفلك في حال وقوع حادث.
- لا تحاول تفكيك أو تعديل أي جزء من مقعد الأطفال. فقد يتأثر الضمان وأداء السلامة الخاص بالمقعد إذا فعلت ذلك.
- يُحظر تمامًا استخدام مقعد الأطفال دون الغطاء القماشي. فغطاء المقعد المصنوع من القماش إحدى ميزات السلامة، ويجب عدم استبداله إلا بغطاء مقعد أصلي مصنوع من القماش من Axxkid.
- اطلع على كتيب السيارة وقائمة السيارات على www.axkid.com لمعرفة أماكن الجلوس المناسبة لكرسي السيارة هذا.
- توصي شركة Axxkid باستخدام واقي المقعد دائمًا لحماية مقعد سيارتك من الخدوش والقنورات.
- وإن راودك أدنى شك، فاتصل بجهة البيع التي اشترت منها كرسي السيارة أو تواصل مع info@axkid.com

جدول المحتويات

185	الأجزاء
187	الأوضاع المسموح بها وغير المسموح بها لمقعد الأطفال Axxkid MINIKID 4 PRO
187	أحزمة التثبيت السفلية
186	تركيب أحزمة التثبيت السفلية
189	تركيب مقعد الأطفال Axxkid MINIKID 4 PRO في السيارة
188	تثبيت طفلك في مقعد الأطفال Axxkid MINIKID 4 PRO
191	تعديلات مسند الرأس
191	إزالة مقعد الأطفال Axxkid MINIKID 4 PRO من السيارة
190	العناية والصيانة
190	الضمان



- A مسند الرأس
- B حمالة الأمان المدمجة
- C زر تحرير الإبزيم
- D فتحة حزام الأمان
- E زر تحرير حمالة الأمان
- F شريط شد حمالة الأمان
- G ذراع مكبح مسند الرأس
- H وسادة Axxid للحماية من الصدمات الجانبية (ASIP)
- I قاعدة المقعد
- J الخط العمودي



- K موصل المشبك المعدني
- L المشبك المعدني
- M موصل نظام Axxid للحماية من الصدمات الجانبية (ASIP)
- N أحزمة التثبيت السفلية
- O مشبك الحزام
- P غطاء مشبك الحزام
- Q ساق المسند
- R زر ساق المسند
- S شريط الكتف
- T ذراع ضبط زاوية الإمالة



تركيب أحزمة التثبيت السفلية

استخدم دائماً نقطتين للتثبيت عند تركيب Axxid MINIKID 4 PRO، واختر نقاط تثبيت منفصلة لأن هذا يجعل التركيب أكثر ثباتاً. وتبعاً لسيارتك ومكان المقعد الذي تختار تركيب مقعد الأطفال فيه، هناك مجموعة متنوعة من نقاط التركيب التي يمكن استخدامها. انظر أدناه للاطلاع على البدائل.

خيارات توصيل أحزمة التثبيت السفلية

alt. a ركب حزام التثبيت حول قضيب المقعد أمام مقعد الأطفال عن طريق تمرير حزام التثبيت بين قضيب المقعد وأرضية السيارة، أو من خلال الفتحة المناسبة في قضيب المقعد.

alt. b ركب حزام التثبيت حول مفصلة كرسي السيارة أمام مقعد الأطفال عن طريق تمرير حزام التثبيت بين ظهر كرسي السيارة ووسادة المقعد.

alt. c ركب حزام التثبيت حول قضيب المقعد تحت مقعد الأطفال عن طريق تمرير حزام التثبيت بين قضيب المقعد وأرضية السيارة، أو من خلال الفتحة المناسبة في قضيب المقعد.

alt. d ركب حزام التثبيت السفلي في نقطة تثبيت مناسبة في ظهر السيارة ووجه حزام التثبيت أسفل كرسي السيارة باتجاه مقدمة السيارة. احرص على خروج حزام التثبيت السفلي من جهة مقدمة المقعد وليس من جانبيه.

alt. e عند تركيب مقعد Axxid MINIKID 4 PRO في كرسي الراكب الأمامي، يجب لف حزام التثبيت حول أقرب نقطة تثبيت مناسبة تتيح إمكانية شد الأحزمة تمامًا. يمكن استخدام نقاط التثبيت التي تم ضبطها في الخلف، ويمكن -عند الحاجة- تمرير حزام التثبيت أو حتى توصيله بحزام تثبيت آخر.

ملاحظة: احرص دائماً على ألا يتداخل تغيير موضع أي من مقاعد السيارة مع أحزمة التثبيت التي تم تركيبها أو يؤدي إلى إتلافها.

ملاحظة: لا تستخدم أبداً أدوات حادة في توجيه أحزمة التثبيت لأنها قد تتلفها.

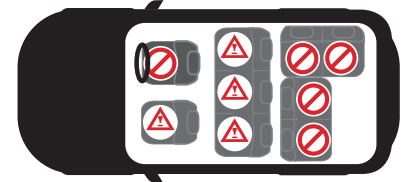


مُثبتات الأحزمة السفلية
عند تركيب مقعد Axxid MINIKID 4 PRO باستخدام نقاط تثبيت أحزمة التثبيت السفلية، يمكن لف حزام التثبيت السفلي (ن) حول موصل المشبك المعدني (ك)، ويجب أيضاً توصيل المشبك المعدني (ل) بنقطة تثبيت حزام التثبيت السفلي.

الأوضاع المسموح بها وغير المسموح بها لمقعد الأطفال Axxid MINIKID 4 PRO

لا يمكن تركيب مقعد الأطفال Axxid MOVEKI إلا في وضع مواجه للخلف. وسيكون من المناسب تركيبه في أغلب أوضاع الجلوس وليس في جميعها. راجع كتيب إرشادات سيارتك لمعرفة أماكن الجلوس المناسبة وراجع قائمة السيارات على www.axkid.com

نعم/لا*	مقعد الراكب الأمامي (الوسادة الهوائية ليست قيد التشغيل)
لا	مقعد الراكب الأمامي (الوسادة الهوائية قيد التشغيل)
نعم	مقعد الراكب الخلفي مزود بحزام أمان ثلاثي نقاط التثبيت
لا	كرسي مزود بحزام أمان ثنائي نقاط التثبيت
لا	كراسي مواجهة للجوانب والخلف



ملاحظة مهمة: إذا كنت تريد تركيب مقعد الأطفال Axxid MINIKID 4 PRO في موضع مُركب به وسادة هوائية أمامية، يجب فصل الوسادة الهوائية وفقاً لإرشادات الشركة المصنعة لسيارتك. جدير بالذكر أن بعض السيارات تحتاج إلى الذهاب إلى مركز خدمة معتمد لفصل الوسادة الهوائية.

* تنص اللائحة العامة للمرور في إسبانيا، في المادة ١١٧، على حظر القيادة مع أطفال بطول قامة يساوي أو يقل عن ١٣٥ سم في المقاعد الأمامية للسيارة، دون استثناء.



نقاط تثبيت أحزمة التثبيت السفلية معلومات مهمة

تُستخدم نقاط تثبيت أحزمة التثبيت السفلية لتعزيز حماية الأطفال في السيارات من خلال التمكين من تركيب مقاعد الأطفال الممتدة المثبتة عن طريق أحزمة الأمان بإحكام وثبات. يزيد هذا من فرص سلامة طفلك في جميع أنواع الاصطدامات، بما في ذلك حوادث الانقلاب والصدمات الخلفية.

أحزمة التثبيت السفلية هي وسيلة قائمة كانت تُستخدم في الدول الإسكندنافية لأكثر من 40 عاماً. وفي عام 2020، ظهرت مواصفة قياسية جديدة لأحزمة التثبيت السفلية، ISO13216-4:2020. تصف هذه المواصفة القياسية متطلبات أحزمة التثبيت السفلية لكراسي الأطفال، وأيضاً لجهات تصنيع السيارات ونقاط التثبيت الخاصة بها. والغرض من ذلك تحسين التوافق وضمن التركيب في المستقبل بأمان وسهولة.

يحتوي مقعد الأطفال Axxid MINIKID 4 PRO على حزامتي تثبيت سفليتين للتركيب في السيارات المزودة بنقاط تثبيت للأحزمة السفلية أو غير المزودة بها. تتوافق أحزمة التثبيت السفلية المشمولة مع معيار ISO13216-4:2020 لضمان الملاءمة المثالية وسهولة التركيب في السيارات المزودة بنقاط تثبيت أحزمة التثبيت السفلية المركبة مسبقاً والمتوافقة مع هذا المعيار. إذا كانت سيارتك تحتوي على نقاط تثبيت لا تتوافق مع المعيار المذكور، يظل من الممكن أن تتلاءم معها أحزمة تثبيت مقعد Axxid MINIKID 4 PRO، لكن هذا ليس مؤكداً دائماً.

غالباً ما توجد نقاط تثبيت أحزمة التثبيت السفلية المركبة مسبقاً في المركبات على قضبان المقاعد المثبتة على الأرضية، لكن يمكن أيضاً استخدام مواضع أخرى. راجع كتيب إرشادات سيارتك لمعرفة المزيد من المعلومات عن نقاط التثبيت الممكن استخدامها.

تأتي مع مقعد أطفال Axxid MINIKID 4 PRO جميع الأدوات التي تحتاجها لتركيبه في سيارتك. لكن يمكن شراء نقاط تثبيت الأحزمة السفلية وأحزمة إضافية لنقاط تثبيت الأحزمة السفلية بشكل منفصل، وسيؤدي هذا إلى جعل عملية التركيب أسرع وأسهل في العديد من السيارات. تتيح بعض الشركات المصنعة للسيارات أيضاً إمكانية إضافة تعديلات إلى نقاط تثبيت أحزمة التثبيت السفلية. تواصل مع الشركة المصنعة لسيارتك أو وكيل سيارتك للحصول على المزيد من المعلومات. يمكن شراء نقاط تثبيت أحزمة التثبيت السفلية المعدلة من جانب Axxid أو أحزمة تثبيت سفلية إضافية بشكل منفصل.

ملاحظة: لا تستخدم أبداً مقعد أطفال Axxid MINIKID 4 PRO بدون أحزمة التثبيت السفلية، فهي من مكونات السلامة المهمة، ويجب استخدامها دائماً عند تركيب مقعد الأطفال.



تثبيت طفلك في مقعد الأطفال Axxkid MINIKID 4 PRO

قبل تثبيت طفلك في مقعد الأطفال Axxkid MINIKID 4 PRO، تأكد من تركيب البطانة المناسبة في المقعد. ضمم مقعد Axxkid MINIKID 4 PRO بحيث يتوافق حجمه مع نمو طفلك ولضمان توفيره مستوى ملائمًا من الراحة والأمان للأطفال. توصي Axxkid باستخدام الحشوة إلى أن يصبح المكان أخيب من استيعاب حجم جسم طفلك، لكن بعد أدنى من الطول وفقًا للجدول التالي (لاحظ أن أرقام السن للاسترشاد فقط):

السن	الطول
الطفل في مرحلة الحبو من 0 إلى 3 سنوات	من 61 إلى 105 سم
طفل من 3 إلى 7 سنوات	من 106 إلى 125 سم

رُود مقعد Axxkid MINIKID 4 PRO بمسند رأس قابل للتعديل (أ). راجع قسم **تعديل مسند الرأس** للحصول على مزيد من المعلومات.

اضبط مسند الرأس (أ) بوضعية تقريبية مناسبة لطفلك.

7

أرخ حمالة الأمان بالضغط على زر تحرير حمالة الأمان (هـ) وسحب شريطي الكتف (ق) إلى الخارج معًا في آن واحد. تجنب سحب شريط واحد فقط في كل مرة؛ إذ قد يتسبب ذلك في عدم تساوي طول شريطي الكتفين (ق).

8

فك إبريم حمالة الأمان بالضغط على زر تحرير الإبزيم (ج) وضع الأشرطة خارج المقعد.

9

ضع طفلك في المقعد وضع شريطي الكتفين (ق) على كتف طفلك. اسحب ذراع مكبح مسند الرأس (ن) مع تثبيته لفتح القفل وإبقائه مفتوحًا. ادفع مسند الرأس (أ) إلى أسفل/أسفله إلى أعلى حتى نقطة يكون فيها شريطي الكتفين على مسافة لا تزيد عن ١ سم فوق كتفي الطفل. أقفل حمالة الأمان بوضع أجزاء الإبزيم المتصلة بشريطي الكتفين (ق) معًا أولاً ثم دفعها في الإبزيم إلى أن تسمع صوت نقرة.

10

اسحب شريطي الكتفين (ق) لشد حمالة الأمان على وركي طفلك. مع إبقاء شريطي الكتفين (ق) مشدودين، اسحب شريط شد حمالة الأمان (و) بشكل مستقيم من مقعد الأطفال إلى أن تكون حمالة الأمان محكمة الربط بشكل كافٍ، ويجب ألا تكون قادرًا على وضع أكثر من إصبع واحد بين شريطي الكتفين (ق) وكتفي طفلك.

11

تركيب مقعد الأطفال Axxkid MINIKID 4 PRO في السيارة

تأكد قبل تركيب مقعد الأطفال Axxkid MINIKID 4 PRO من وجود أحزمة التثبيت السفلية أو نقاط تثبيت أحزمة التثبيت السفلية في سيارتك. راجع قسم **نقاط تثبيت أحزمة التثبيت السفلية** وقسم **تركيب أحزمة التثبيت السفلية** في هذا الكتيب للحصول على المزيد من المعلومات والأطلاع على إرشادات التركيب.

فك السحاب وافتح غطاء مشبك الحزام (ع).

1

ضع مقعد أطفال Axxkid MINIKID 4 PRO على كرسي السيارة بحيث يواجه ظهر مقعد الأطفال مقدمة السيارة. اضبط مساحة مد قدمي طفلك بتحريك مقعد الأطفال إلى الأمام وإلى الخلف فقط على كرسي السيارة. يمكن تركيب مقعد Axxkid MINIKID 4 PRO بإحكام على ظهر مقعد السيارة، ولكن لا يجوز تركيبه أبدًا مع ترك قاعدة المقعد (ط) معلقة على حافة كرسي السيارة. احرص على ألا يعبر الخط العمودي (ي) في قاعدة المقعد (ط) حافة كرسي السيارة.

2

اضبط زاوية مقعد الأطفال بالضغط على ذراع ضبط زاوية الإمالة (ر) واختيار وضع الإمالة المناسب. لتحقيق أقصى درجات الأمان، اختر وضعًا قائمًا قدر الإمكان وفي الوقت ذاته يضمن عدم تدلي رأس طفلك إلى الأمام أثناء النوم. ولأسباب تتعلق بالراحة والأمان، يجب تعديل زاوية الإمالة إلى وضع أكثر استقامة كلما نما طفلك. لاحظ أنه عند ربط أحزمة التثبيت السفلية (ن)، سيكون مقعد الأطفال أكثر ميلًا إلى حد ما عندما يغوص في وسادة كرسي السيارة. عند تركيب مقعد أطفال Axxkid MINIKID 4 PRO في كرسي الراكب الأمامي، فقد يلامس ظهر مقعد الأطفال لوحة القيادة، ولكن ليس بالضرورة أن يحدث ذلك.

افتح مشبك الحزام (س). اسحب مسافة تساوي طول ذراع من حزام أمان السيارة وأدخله في فتحة حزام الأمان (د) الأقرب إليك. وجه الحزام نحو مشبك الحزام (س)، وأدخله في فتحة حزام الأمان (د) على الجانب المقابل. اربط حزام أمان السيارة بإبزيم حزام المقعد، واسحب بقوة من ناحية الكتف من حزام أمان السيارة للتخلص من أي ارتخاءات ولربط مقعد الأطفال، وكلما زادت قوة السحب، زاد ثبات التركيب. ولزيادة إحكام التركيب وثباته، اضغط على مقعد الأطفال أثناء سحب حزام السيارة. عندما يكون مقعد الأطفال مربوطًا بإحكام، أغلق مشبك الحزام (س) وأقبل حزام أمان السيارة في موضعه. احرص على أن يكون حزام الكتف والحجر في وضع القفل معًا في مشبك الحزام (س). أغلق غطاء مشبك الحزام (ع) وأغلق السحاب.

3

صل المشابك المعدنية (ل) بموصلات المشابك المعدنية (ك) على كل من جانبي مقعد الأطفال (أو صل المشابك المعدنية (ل) بنقاط التثبيت في سيارتك إذا كانت نقاط تثبيت أحزمة التثبيت السفلية مستخدمة للتركيب. راجع قسم **تركيب أحزمة التثبيت السفلية** في هذا الكتيب لمزيد من المعلومات). اضغط إلى الأسفل على الجزء العلوي من مقعد السيارة مع شد أحزمة التثبيت السفلية (ن). يمكنك أيضًا من خلال شد أحزمة التثبيت السفلية (ن) ضبط زاوية الإمالة النهائية لمقعد الأطفال. استمر في الضغط على مقعد الأطفال وشده إلى أن يتم ربطه بإحكام ووصولك إلى زاوية إمالة مناسبة.

4

اسحب ساق المسند (ف) من مقعد الأطفال. اضغط على زر ساق المسند (ص) واسحب ساق المسند (ف) إلى أسفل إلى أن تلامس أرضية السيارة. أفلت زر ساق المسند (ص) وارفع مقعد الأطفال إلى أعلى لتمديد ساق المسند (ف) حتى تسمع صوت نقرة. ينبغي أن تكون ساق المسند (ف) قد أقفلت واضغطت بإحكام على أرضية السيارة. احرص على أن تكون ساق المسند (ف) مائلة بزاوية ١٠ درجات تجاه مقدمة السيارة. تحقق من حزام أمان السيارة للتأكد من أنه لا يزال مشدودًا بإحكام، وأنه لا يحدث أي تراخ في حزام الوركين في أثناء شد أحزمة التثبيت السفلية وساق المسند. إذا تراخى حزام أمان السيارة قليلًا، فما عليك سوى إعادة شده من خلال تكرار الخطوة رقم ٢ من هذا الدليل دون فصل أحزمة التثبيت السفلية.

5

اضغط على وسادة الحماية من الصدمات الجانبية (ح) لإدخالها في فتحات موصل الحماية من الصدمات الجانبية (م) مع الدفع إلى أسفل حتى سماع صوت نقرة ودخول وسادة الحماية من الصدمات الجانبية (ح) إلى موضعها. إذا كان هناك غطاء بلاستيكي على موصل الحماية من الصدمات الجانبية (م)، فانزعه وضعه على موصل الحماية من الصدمات الجانبية (م) على الجانب المقابل من المقعد قبل تركيب وسادة الحماية من الصدمات الجانبية (ح). احرص على تركيب وسادة الحماية من الصدمات الجانبية (ح) على جانب مقعد الأطفال Axxkid MINIKID 4 PRO الأقرب إلى باب السيارة.

6

العناية والصيانة

يمكن غسل غطاء المقعد المصنوع من القماش في الغسالة على درجة حرارة 30 درجة مئوية في دورة خفيفة. لا تضع الغطاء في مجفف الملابس؛ لأن هذا قد يؤدي إلى إتلاف الغطاء، فضلاً عن إمكانية انفصال البطانة عن القماش. تفضل بزيارة www.axkid.com للعثور على مقاطع فيديو توضح كيفية فك الغطاء وتركيبه.

إذا أردت تغيير غطاء المقعد المصنوع من القماش، فاحرص على استخدام منتجات أصلية من Axkid فقط. في حالة استخدام منتجات أخرى، قد يؤثر ذلك بالسلب في نظام السلامة الخاص بمقعد الأطفال Axkid، وقد تحدث إصابة خطيرة أو وفاة في حالة وقوع حادث.

يمكن تنظيف أي أجزاء بلاستيكية في مقعد الأطفال Axkid باستخدام سائل تنظيف خفيف وماء. لا تستخدم مواد كيميائية قوية تحتوي على مركبات مذيبة أو ما شابه؛ إذ قد تتسبب في إتلاف الأجزاء البلاستيكية وتؤثر في سلامة مقعد السيارة تأثيراً سلبياً.

انزع الغطاء المصنوع من القماش:

- انزع وسادة الحماية من الصدمات الجانبية (ح) إذا كانت موصولة.
- اسحب مسند الرأس (أ) إلى أعلى وضع له. أرخ حمالة الأمان بالضغط على زر تحرير حمالة الأمان (هـ) وسحب شريطي الكتف (ق) إلى الخارج معاً في آن واحد.
- فك السخائبين الموجودين على الجانب السفلي من مسند الرأس (أ) واسحب الغطاء برفق من فوق مسند الرأس (أ).
- اخفض مسند الرأس (أ) إلى أدنى وضع له.
- فك إبريم حمالة الأمان بالضغط على زر تحرير الإبريم (ج) وانزع غطاء الإبريم.
- فك السخاب، وافتح غطاء مشبك الحزام (س)، وانزع الغطاء البلاستيكي من الغطاء القماشي.
- افتح الأزرار الأربعة الموجودة على الغطاء القماشي على الجهة الخلفية لمقعد الأطفال.
- فك السخائبين الموجودين في مسند الظهر على الجهة الداخلية من مقعد الأطفال، وانزع الغطاء القماشي برفق من مقعد الأطفال. يرجى توخي الحذر أثناء التعامل مع وسادة الحماية من الصدمات الجانبية والأغطية البلاستيكية الأخرى حتى لا تتلف الأقمشة. ولا تسحب بقوة أكبر من اللازم.
- افتح وسادتي الكتفين، وانزعهما برفق من شريط Velcro اللاصق.

تركيب الغطاء القماشي:

- أعكس ترتيب الخطوات الواردة في التعليمات السابقة لتركيب الغطاء القماشي على مقعد الأطفال مرة أخرى.

ملاحظة: يمكن تركيب وسادتي الكتفين في مواضع مختلفة. لذلك ركبهما في وضع مناسب لطفلك، ويجب وضعهما أعلى كتف طفلك وصدرة. احرص أيضاً على أن يكون الجانب المطاطي من وسادة الكتف في مواجهة صدر طفلك.

الضمان

مقعد الأطفال من Axkid مشمول بضمان لمدة ٢٤ شهراً من تاريخ الشراء. احرص على الاحتفاظ بالفاتورة واصطحبها معك إلى مكان الشراء في حالة وجود أي مشكلات تقع في نطاق الضمان.

لا يشمل الضمان ما يلي:

- التآكل والتلف العاديين.
- التلف نتيجة الاستخدام غير الصحيح، أو الإهمال، أو الحوادث.
- في حالة تنفيذ أعمال الإصلاح بمعرفة جهة خارجية.
- جميع المواد المستخدمة لها تصنيف مرتفع للغاية من حيث مقاومة الأشعة فوق البنفسجية. بيد أن ضوء الأشعة فوق البنفسجية هو ضوء قوي للغاية وسيؤدي في النهاية إلى بهتان غطاء المقعد. لا يغطي الضمان الخاص بنا هذا التلف نظراً لأنه يعتبر من أنواع البلى والتمزق الناتجة عن الاستخدام العادي.
- تعامل مع المقعد بحرص. لا تحمل المقعد عن طريق الإمساك بمسند الرأس (أ).

ضبط مسند الرأس

رُود مقعد Axkid MINIKID 4 PRO بمسند رأس قابل للتعديل (أ).

تأكد دائماً من وضع مسند الرأس في الارتفاع المناسب لطفلك عند استخدام مقعد الأطفال Axkid MINIKID 4 PRO. تأكد من خروج شريطي الكتفين (ق) إلى المقعد مباشرة من كتفي طفلك أو من مسافة 1 سم على الأكثر فوقهما. وفي حال عدم تحقق ذلك، اضبط مسند الرأس (أ) وفقاً للمطلوب.

ملاحظة: يجب إفلات شد حمالة الأمان إذا تعذر سحب مسند الرأس إلى أعلى لارتفاع مناسب. اضغط على زر تحرير حمالة الأمان (هـ) لإرخاء حمالة الأمان.



إزالة مقعد الأطفال Axkid MINIKID 4 PRO من السيارة

- فك السخاب وافتح غطاء مشبك الحزام (ع). فك حزام أمان السيارة بالضغط على الزر الأحمر الموجود على إبريم حزام الأمان. افتح مشبك الحزام (س)، واسحب حزام أمان السيارة ووجهه من خلال فتحات حزام المقعد (د) لتزعه من مقعد الأطفال.
- فك أحزمة التثبيت السفلية (ن) عن طريق مسك الموصلات بيدك والضغط على الزر الرمادي بإبهامك. مع إبقاء الموصل في يدك، ادفع ببطء لسحب أحزمة التثبيت السفلية.
- اضغط على زر ساق المسند (ص)، وخفض ساق المسند (ق) إلى أقصر وضع لها.
- اطو ذراع ضبط زاوية الإمالة (ر) إلى وضعية الطي. ارفع مقعد Axkid MINIKID 4 PRO خارج السيارة.

نصيحة: أفضل إبريم حمالة الأمان وشد حمالة الأمان قبل إخراج مقعد الأطفال من السيارة. يمكنك بعد ذلك استخدام أشرطة الكتف (ق) كمقبض للحمل؛ ما يسهل رفع مقعد الأطفال ونقله إلى خارج السيارة.

ملاحظة مهمة: لا تحمل أبداً مقعد الأطفال عن طريق الإمساك بمسند الرأس (أ).

إعادة تدوير مقعد الأطفال

توصي Axkid بشدة بإعادة تدوير مقاعد السيارة القديمة. قبل ترك المقعد في مركز إعادة التدوير المحلي لديك، اقطع أشرطة حمالة الأمان من المقعد، وقم بإزالة غطاء القماش، وإزالة أكبر قدر ممكن من الحشو الرغوي، وافصل الأجزاء المعدنية والبلاستيكية إن أمكن. يجب وضع علامة على الجزء الرئيسي للمقعد لتوضيح أنه غير آمن للاستخدام أو منتهى الصلاحية (استخدم قلم تحديد) لتنبيه أي شخص حتى لا يستخدمه مرة أخرى. يرجى التحقق من الإرشادات الصادرة عن البلدية المحلية لديك لمعرفة تعليمات إعادة التدوير للمواد المختلفة.



Axkid MINIKID 4 PROをお選びいただき ありがとうございます

チャイルドシートを車に取り付ける前に、本取扱説明書をお読みください。
詳細と取り付けに関するビデオについては、www.axkid.comをご覧ください。

Axkid MINIKID 4 PROは、身長61～125 cm、体重36kg以下のお子様に認可された後ろ向きチャイルドシートです

Axkid MINIKID 4 PROは、生後6か月頃、またはお子様が支えなしでお座りできるようになった頃からお使いいただけます。

これは一体型の特定車両用ベルト付き改良型年少者用補助乗車装置です。これは、協定規則第129号に従って、車両リストに示されている適合車両の座席位置での使用が承認されています。ご不明な点がある場合は、改良型年少者用補助乗車装置のメーカー（www.axkid.com）または販売店にご相談ください。

重要情報

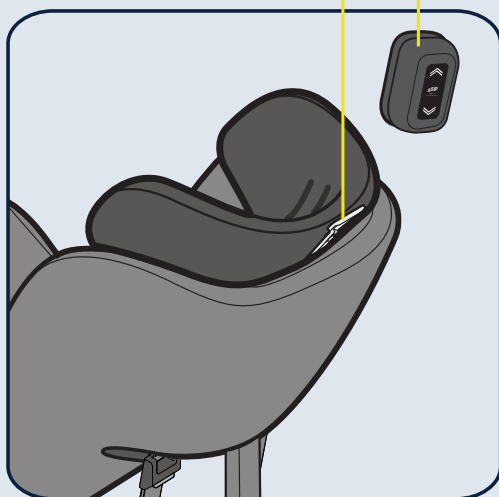
お子様の安全を最大限に確保するためには、次の点に留意することが重要です。

- 必ず本取扱説明書の指示に従ってください。誤った取り付けは、お子様の安全に重大な影響を及ぼす可能性があります。ご不明な点がある場合は、正しい取り付け方法を説明できる販売店にお問い合わせください。
- この取扱説明書は将来参照できるよう保管してください。説明書を紛失した場合は、www.axkid.comからオンラインで検索できます
- チャイルドシートを、アクティブフロントルエアバッグが装備されている座席位置で使用しないでください。それでもこの場所にチャイルドシートを取り付けたい場合は、車両メーカーの指示に従ってエアバッグのスイッチをオフにする必要があります。
- どんなに小さな事故であっても、チャイルドシートは必ず交換する必要があります。目に見えない損傷があり、お子様の安全に重大な影響を及ぼす可能性があります。このため、Axkidは中古のチャイルドシートの購入を推奨していません。
- チャイルドシートが直射日光にさらされていた場合は、お子様を乗せる前にチャイルドシートが熱すぎないことを確認してください。
- お子様を車内に置き去りにしないでください。
- 事故の際に同乗者に怪我をさせる恐れがあるため、荷物や緩んだ物を車内に固定するようにしてください。
- チャイルドシートは、可動式シートや車のドアなどに部品が挟まれないように取り付けてください。
- 下部テザーアンカレッジストラップを使用する場合は、車両シートの動きを妨げないように取り付けてください。
- チャイルドシートは、後ろ向きでのみ取り付けることができます。
- ハーネスがお子様の体に正しくフィットするように常に調整してください。ハーネスはヘッドサポートを動かすことで調整されます。
- ハーネスでお子様を拘束する際は、お子様の背中がチャイルドシートに押し付けられていることを確認してください
- ハーネスがお子様をしっかり締め付けられ、バックルが完全にロックされていることを常に確認してください。ストラップを挟むことがないようにしてください。
- ハーネスにねじれがないことを確認してください。
- サポートレグが正しい位置にあり、車のフロアに接触していることを必ず確認してください。サポートレグは、事故時のお子様の安全性を最大限に高めるために設計された非常に重要な安全機能です。
- チャイルドシートの部品を分解したり、改造したりしないでください。そのようなことをすると、チャイルドシートの保証と安全性能に影響を及ぼす可能性があります。
- テキスタイルカバーなしでチャイルドシートを使用しないでください。シートテキスタイルカバーは安全機能であり、Axkid純正シートテキスタイルカバーとのみ交換できます。
- 車両ハンドブックおよびwww.axkid.comの車両リストを参照し、このチャイルドシートに適合する座席位置をご確認ください。
- Axkidは、車のシートを傷や汚れから保護するために、常にシートプロテクションを使用することを推奨しています。
- 不明な点がある場合は、チャイルドシートを購入した販売店またはinfo@axkid.comまでお問い合わせください

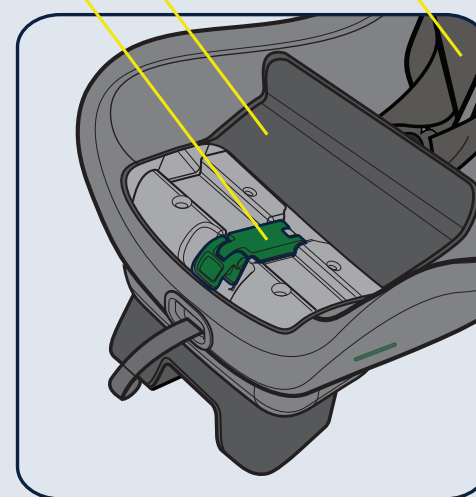
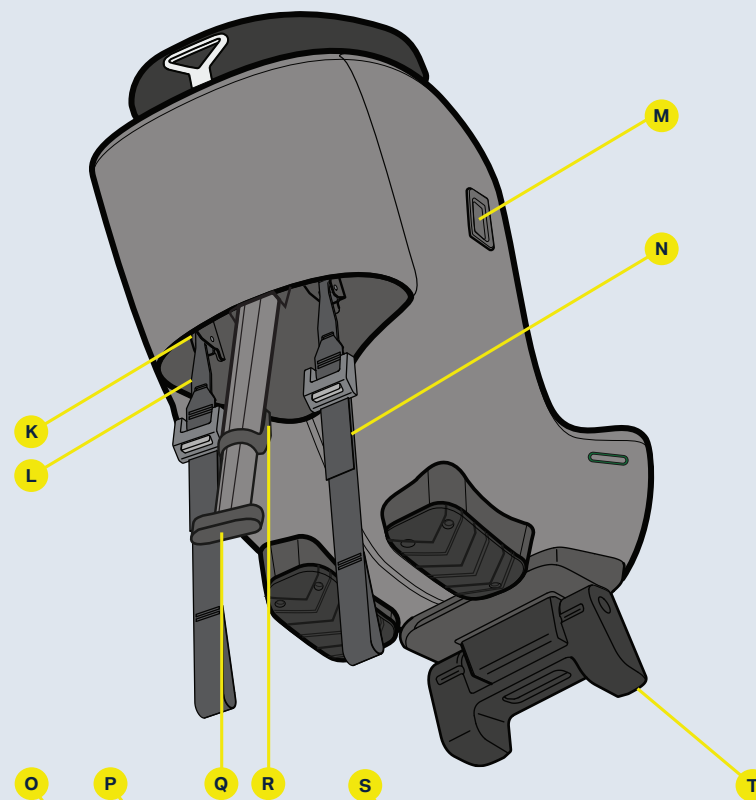
目次

部品	194
Axkid MINIKID 4 PROチャイルドシートの取り付け可能位置と禁止位置	196
下部テザーアンカー	196
下部テザーの取り付け	197
Axkid MINIKID 4 PROチャイルドシートの車両への取り付け	198
Axkid MINIKID 4 PROチャイルドシートへのお子様の拘束	199
ヘッドレスト調整	200
Axkid MINIKID 4 PROチャイルドシートの車両からの取り外し	200
お手入れとメンテナンス	201
保証	201

部品



- A ヘッドレスト
- B 一体型ハーネス
- C バックルリリースボタン
- D シートベルトスロット
- E ハーネスリリースボタン
- F ハーネス伸縮ストラップ
- G ヘッドレストブレーキレバー
- H ASIPパッド
- I ヒール
- J 垂直線



- K メタルクリップコネクタ
- L メタルクリップ
- M ASIPコネクタ
- N 下部デザー
- O ベルトクランプ
- P ベルトクランプの蓋
- Q サポートレッグ
- R サポートレッグボタン
- S ショルダーストラップ
- T リクライニング角度アジャスター



Axkid MINIKID 4 PROチャイルドシートの取り付け可能位置と禁止位置

Axkid MINIKID 4 PROチャイルドシートは、後ろ向きでのみ取り付けすることができます。ほとんどの座席位置にフィットしますが、すべての座席位置にフィットするわけではありません。車両の取扱説明書を参照して適切な座席位置を見つけ、www.axkid.comの車両リストを確認してください

助手席 (アクティブエアバッグなし)	はいいいえ*
助手席(アクティブエアバッグ)	いいえ
3点式シートベルト付き後部座席	はい
2点式シートベルト付きシート	いいえ
サイドシートと後向きシート	いいえ



重要: フロントエアバッグが備え付けられている場所にAxkid MINIKID 4 PROチャイルドシートを取り付ける場合は、自動車メーカーの指示に従ってエアバッグを取り外す必要があります。エアバッグを取り外すには、認定サービスセンターが必要な車両もありますのでご注意ください。

*スペインの交通一般規則は、その第117条で、身長135cm以下の子どもを車の助手席に乗せて運転することを例外なく禁止しています。



下部テザーアンカー 重要情報

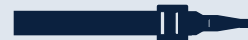
下部テザーアンカー (LTA) は、延長された後ろ向きのベルト付きチャイルドシートをしっかりと安定した状態で固定することで、車内でのお子様の保護を強化するために使用されます。これにより、横転事故や追突事故など、あらゆる種類の衝突事故におけるお子様の安全性が向上します。

下部テザーは、北欧諸国で40年以上にわたって広く使用されている確立された方法です。2020年にはLTAの新しい国際規格ISO13216-4:2020が発表されました。この規格は、チャイルドシートの下部テザーだけでなく、自動車メーカーとそのアンカーポイントに関する要件についても説明しています。その目的は、互換性を向上させ、将来にわたって安全で簡単な取り付け方法を確保することです。

Axkid MINIKID 4 PROには、下部テザーアンカーの有無にかかわらず、車に取り付けるための2つの下部テザーが付属しています。付属の下部テザーはISO13216-4:2020に適合しており、この規格にも適合した下部テザーアンカーがあらかじめ取り付けられている車両に、完璧にフィットし、簡単に取り付けすることができます。車両のアンカーポイントが規格に適合していない場合でも、Axkid MINIKID 4 PRO下部テザーがフィットする可能性はありますが、保証するものではありません。車両にあらかじめ取り付けられている下部テザーアンカーは、フロアに取り付けられたシートレールによく見られますが、他の位置も使用されます。使用可能なアンカーポイントの詳細については、車両の取扱説明書をご確認ください。

Axkid MINIKID 4 PROには、車両にチャイルドシートを取り付けるために必要なものがすべて付属しています。ただし、下部テザーアンカーと追加の下部テザーアンカーストラップは別途購入でき、複数の車両への取り付けがより迅速かつ簡単になります。自動車メーカーによっては、下部テザーアンカーを後付けする可能性も提供しています。詳細については、自動車メーカーまたは販売店にお問い合わせください。Axkid後付け下部テザーアンカーと追加の下部テザーは別途購入できます。

注意: 下部テザーなしでAxkid MINIKID 4 PROを使用しないでください。これらは重要な安全機能であり、チャイルドシートを取り付ける際には必ず使用してください。



下部テザーの取り付け

Axkid MINIKID 4 PROを取り付ける際は、必ず2つのアンカーポイントを使用し、より安定した取り付けができるように、分離されたアンカーポイントをお選びください。チャイルドシートを取り付ける車種やシート位置によって、さまざまなアンカーポイントを使用できます。オプションについては、以下をご覧ください。

下部テザーのルーティングオプション

オプション **a** テザーをシートレールと車両のフロアの間、またはシートレールの適切な穴に通して、チャイルドシートの前のシートレールにテザーを取り付けます。

オプション **b** テザーをチャイルドシートの背もたれとシートクッションの間に通して、前のシートのヒンジにテザーを取り付けます。

オプション **c** テザーをシートレールと車両のフロアの間、またはシートレールの適切な穴に通して、チャイルドシートの下のシートレールにテザーを取り付けます。

オプション **d** 下部テザーを車両後部の適切なアンカーポイントに取り付け、テザーを車両シートの下に通して車両前部に引きまわします。下部テザーがシートの前面から出ており、側面から出ていないことを確認してください。

オプション **e** 助手席にAxkid MINIKID 4 PROを取り付ける場合、ストラップを完全に締め付けることができる最も近い適切なアンカーポイントにテザーを巻き付ける必要があります。さらに後方に設置されたアンカーポイントを使用することもでき、必要に応じてテザーを交差させたり、別のテザーとループ状に連結することもできます。

注意: 車両シートの位置を変更しても、取り付けられている下部テザーに干渉したり、損傷したりしないことを必ず確認してください。

注意: テザーを損傷する恐れがあるため、テザーの取り回しに鋭利なものを使用しないでください。



LTA

下部テザーアンカー (LTA) を使用してAxkid MINIKID 4 PROを取り付ける場合、下部テザー (N) を金属クリップコネクタ (K) に巻き付け、金属クリップ (L) を下部テザーアンカーに接続する必要があります。



Axkid MINIKID 4 PROチャイルドシート の車両への取り付け

Axkid MINIKID 4 PROを取り付ける前に、車両に下部テザーまたは下部テザーアンカーが取り付けられていることを確認してください。詳細と取り付け手順については、この本取扱説明書の**下部テザーアンカーと下部テザーの取り付け**に関するセクションを参照してください。

1 ジッパーを開き、ベルトクランプの蓋 (P) を開けます。

2 Axkid MINIKID 4 PROを、チャイルドシートの背面が車の前方を向くように車両シート上に置きま
す。車両シート上でチャイルドシートを前後に動かすだけで、お子様の足元スペースを調整できま
す。Axkid MINIKID 4 PROは、車両シートの背面にぴったりと取り付けことができますが、ヒール (I) が車
両シートの端からはみ出すように取り付けすることはできません。ヒール (I) の垂直線 (J) が車両シートの端を
越えないように注意してください。

リクライニング角度アジャスター (T) で適切なリクライニング位置を選び、チャイルドシートの角度を調節
します。最大限の安全性を確保するためには、できるだけ直立した姿勢を選ぶと同時に、寝ているときに
お子様の頭が前に倒れないようにします。快適性と安全性の両方の理由から、お子様の成長に合わせてリ
クライニングの角度をより直立した位置に調整する必要があります。下部テザー (N) を張ると、チャイルド
シートが車のシートクッションに沈み込むため、リクライニングがわずかに大きくなることに注意してくださ
い。Axkid MINIKID 4 PROを助手席に取り付ける場合、チャイルドシートの背もたれがダッシュボードに接触
することは可能ですが、その必要はありません。

3 ベルトクランプ (O) を開きます。車のシートベルトを腕の長さ分引き出し、一番手前のシートベルトスロット
(D) に通します。ベルトをベルトクランプ (O) に通し、反対側のシートベルトスロット (D) に通します。車の
シートベルトをシートベルトのバックルに接続し、車のシートベルトの肩の部分強く引っ張ってたるみをなく
し、チャイルドシートを固定します。強く引くほどしっかりと取り付けられます。さらにしっかりと安定した取り付
けを行うには、車のベルトを引っ張りながらチャイルドシートを押し下げます。チャイルドシートがしっかりと
固定されたら、ベルトクランプ (O) を閉じ、車のシートベルトを所定の位置にロックします。ショルダーストラップ
とラップベルトの両方がベルトクランプ (O) でロックされていることを確認してください。ベルトクランプの蓋
(P) を閉め、ジッパーを閉じます。

4 金属クリップ (L) をチャイルドシートの両側にある金属クリップコネクタ (K) に取り付けます (下部テザーア
ンカーを使用して取り付けの場合は、金属クリップ (L) を車のアンカーに接続します。詳細については、本取
扱説明書の**下部テザーの取り付け**のセクションを参照してください)。下部テザーを張りながら、チャイルド
シートの上部を押し下げます (N)。下部テザー (N) を張ることで、チャイルドシートの最終的なリクライニング
角度も設定できます。チャイルドシートがしっかりと固定され、適切なリクライニング角度が得られるまで、チ
ャイルドシートを押し下げ、テンションをかけ続けてください。

5 サポートレッグ (Q) をチャイルドシートから引き出します。サポートレッグボタン (R) を押し、サポートレッグ
(Q) を車両のフロアに接触するまで下方に引き下ろします。サポートレッグボタン (R) から手を離し、カチッとい
う音がするまでチャイルドシートを上方に持ち上げて、サポートレッグ (Q) をさらに伸ばします。これでサポー
トレッグ (Q) がロックされ、車両のフロアにしっかりと押し付けられます。サポートレッグ (Q) が車両前方に
約 10°傾いていることを確認してください。車のシートベルトを再度チェックして、シートベルトがまだしっか
りと張られていること、および下部テザーとサポートレッグを張ったときにヒップベルトにたるみが生じてい
ないことを確認してください。車両ベルトの張りが弱くなった場合は、下部テザーを外さずに、このガイドのス
テップ2を繰り返してベルトを張り直してください。

6 ASIPパッド (H) をASIPコネクタ (M) のスロットに押し込み、下方にスライドさせると、ASIPパッド (H) が所
定の位置にカチッとハマります。ASIPパッド (H) を取り付け前に、ASIPコネクタ (M) にプラスチックカ
バーがある場合は、それを取り外してシートの反対側にあるASIPコネクタ (M) に取り付けます。ASIPパッド
(H) が、車両のドアに最も近いAxkid MINIKID 4 PROチャイルドシートの側面に取り付けられていることを
確認してください。



Axkid MINIKID 4 PROチャイルドシ ートへのお子様の拘束

Axkid MINIKID 4 PROチャイルドシートにお子様を拘束する前に、シートに正しいインレーが取り付けられていること
を確認してください。Axkid MINIKID 4 PROは、お子様の成長に合わせ、快適かつ安全にフィットするよう設計されて
います。Axkidでは、インレーがお子様にとってきつくなりすぎないまで使用することを推奨していますが、下記の表に
従って最小限の長さになるようにしてください (年齢は単なる目安であることに注意してください)。

年齢	身長	
歩き始めの 子ども 0~3歳	61~105 cm	
子ども 3~7歳	106~125 cm	

Axkid MINIKID 4 PROには、調整可能なヘッドレスト (A) が装備されています。詳細については、**ヘッドレストの調整**
のセクションを参照してください。

7 ヘッドレスト (A) をお子様のおおよその位置に調整します。

8 ハーネスリリースボタン (E) を押してハーネスを緩め、両方のショルダーストラップ (S) を同時に
引き出します。一度に片方のストラップだけを引っ張ると、ショルダーストラップ (S) が片寄り原因
となりますので、避けてください。

9 バックルリリースボタン (C) を押してハーネスバックルのロックを解除し、ストラップをシートの外
側に配置します。

10 お子様をシートに座らせ、ショルダーストラップ (S) をお子様の肩にかけてください。ヘッドレスト
ブレイクレバー (G) を長押しすると、ヘッドレストがロック解除され、ロックが解除された状態に
なります。ヘッドレスト (A) を押し下げ引き上げて、ショルダーストラップがお子様の肩から最大1
cmの高さになる位置にします。まず、ショルダーストラップ (S) に取り付けられているバックルのパ
ーツを合わせ、カチッと音がするまでバックルに押し込み、ハーネスをロックします。

11 ショルダーストラップ (S) を引いて、お子様の腰の上でハーネスを締めます。ショルダーストラップ
(S) の張力を維持しながら、ハーネステンションストラップ (F) をチャイルドシートからまっすぐ
に引き、ハーネスが十分に締め付けられるようにします。このとき、ショルダーストラップ (S) とお
子様の肩の間に指が1本以上入らないようにしてください。



ヘッドレスト調整

Axkid MINIKID 4 PROには、調整可能なヘッドレスト (A) が装備されています。

Axkid MINIKID 4 PROチャイルドシートを使用するときは、ヘッドレストがお子様にとって正しい高さにあることを必ず確認してください。ショルダーストラップ (S) がお子様の肩からまっすぐ、または最大1 cm上の位置でシートに通されていることを確認してください。通っていない場合は、ヘッドレスト (A) を調整してください。

注意: ヘッドレストを適切な高さまで引き上げられない場合は、ハーネスのテンションを緩める必要があります。ベルトハーネスリリースボタン (E) を押してハーネスを緩めます。



Axkid MINIKID 4 PROチャイルドシートの車両からの取り外し

- ジッパーを開き、ベルトクランプの蓋 (P) を開けます。シートベルトバックルの赤いボタンを押して、車のシートベルトのロックを解除します。ベルトクランプ (O) を開き、車のシートベルトを引っ張り、シートベルトスロット (D) に通して、チャイルドシートから取り外します。
- コネクタを手で持ち、親指で灰色のボタンを押し、下部テザー (N) のロックを解除します。コネクタを手に持ったまま、ゆっくりと押し下して下部テザーを伸ばします。
- サポートレッグボタン (R) を押して、サポートレッグ (Q) を最短位置まで折りたたみます。
- リクライニング角度アジャスター (T) を折りたたんだ位置に折ります。Axkid MINIKID 4 PROを車外に持ち上げます。

ヒント: 車両からチャイルドシートを取り外す前に、ハーネスバックルをロックし、ハーネスに張力をかけます。その後、ショルダーストラップ (S) をキャリングハンドルとして使用することで、チャイルドシートを持ち上げて車外に持ち出すことが容易になります。

重要: ヘッドレスト (A) を持ってチャイルドシートを運ばないでください。

チャイルドシートのリサイクル



Axkidは、古いチャイルドシートのリサイクルを強く推奨しています。お近くのリサイクルステーションに委ねる前に、シートからハーネスストラップを切り離し、テキスタイルカバーを取り外し、発泡スチロール部品をできるだけ取り除き、可能であれば金属部品とプラスチック部品を分別してください。シートの主要部分には、安全でない、または使用期限切れの印を付け (マーカを使用)、再び使用しないようにします。各素材のリサイクル方法については、お住まいの自治体のガイドラインをご確認ください。

お手入れとメンテナンス

シートテキスタイルカバーは30℃で洗濯機のデリケート洗いが可能です。カバーを乾燥機に入れしないでください。カバーを傷めたり、パッドが生地から剥がれたりする恐れがあります。www.axkid.comにアクセスして、カバーの取り外しと取り付け方法を説明するビデオをご覧ください。

テキスタイルシートカバーの交換が必要な場合は、必ずAxkid純正品のみを使用してください。他の製品を使用した場合、Axkidチャイルドシートの安全システムが損なわれる可能性があり、事故の際に重傷を負う可能性があります。

Axkidチャイルドシートのプラスチック部品は、中性洗剤と水で洗うことができます。プラスチックに損傷を与え、チャイルドシートの安全性を損なう可能性があるため、溶剤などを含む強力な化学薬品は使用しないでください。

テキスタイルカバーの取り外し:

- ASIPパッド (H) が取り付けられている場合は取り外します。
- ヘッドレスト (A) を一番上の位置まで引き出します。ハーネスリリースボタン (E) を押してハーネスを緩め、両方のショルダーストラップ (S) を同時に引き出します。
- ヘッドレスト (A) の下側にある2つのジッパーを開け、ヘッドレスト (A) からカバーを慎重に引き出します。
- ヘッドレスト (A) を最も低い位置まで下げます。
- バックルリリースボタン (C) を押してハーネスバックルのロックを解除し、バックルカバーを取り外します。
- ジッパーを開け、ベルトクランプの蓋 (P) を開け、テキスタイルカバーからプラスチックの蓋を取り外します。
- チャイルドシートの裏側のテキスタイルカバーにある4つのボタンを開けます。
- チャイルドシートの内側の背もたれにある2つのジッパーを外し、チャイルドシートからテキスタイルカバーをそと取り外します。ASIPパッドやその他のプラスチックカバーの周囲は、布地を傷つけないように注意してください。あまり強く引っ張りすぎないようにしてください。
- ショルダerpパッドを開き、マジックテープからそと外します。

テキスタイルカバーを取り付けます。

- 上記の手順を逆にして、テキスタイルカバーをチャイルドシートに再度取り付けます。

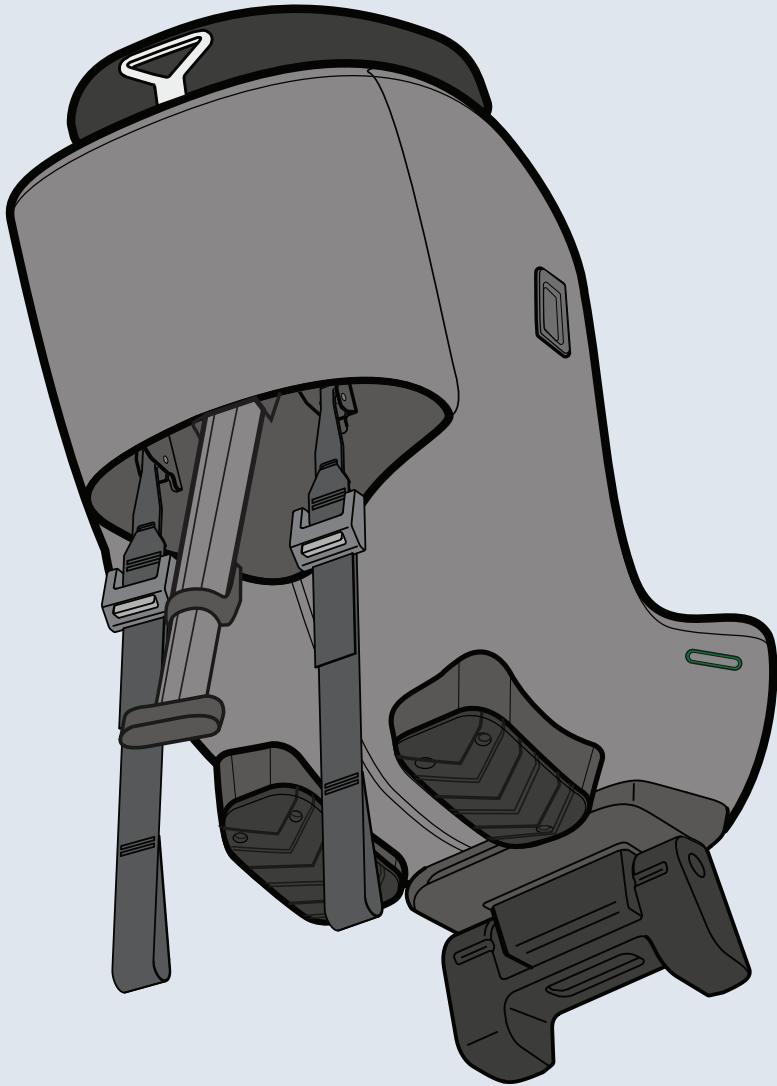
注意: ショルダerpパッドはさまざまな位置に取り付け可能です。ショルダerpパッドはお子様に適した位置に取り付けてください。お子様の肩の上と胸の上に配置する必要があります。また、ショルダerpパッドのゴム面がお子様の胸側を向くようにしてください。

保証

Axkidチャイルドシートには、購入日から24か月の保証が付いています。保証に関する問題がある場合は、レシートを必ず保存し、購入店に持参してください。

保証の対象外:

- 通常使用による損傷。
- 誤った使用、不注意、事故による損傷。
- 第三者によって修理が行われた場合。
- 使用されているすべての素材は、非常に高い耐紫外線性を備えています。ただし、紫外線は非常に攻撃的であり、最終的にはシートカバーの色あせにつながります。これは通常使用による損傷と見なされるため、保証の対象外です。
- シートの取り扱いには注意してください。ヘッドレスト (A) を持ってシートを運ばないでください。



- EN DA
- DE FI
- ES ET
- FR EL
- IT IS
- NL PT
- PL RO
- CS AR
- SV JP
- NO

AXKID