

## WIGGLE CRIB - CO-SLEEPER

### INSTRUCTION MANUAL



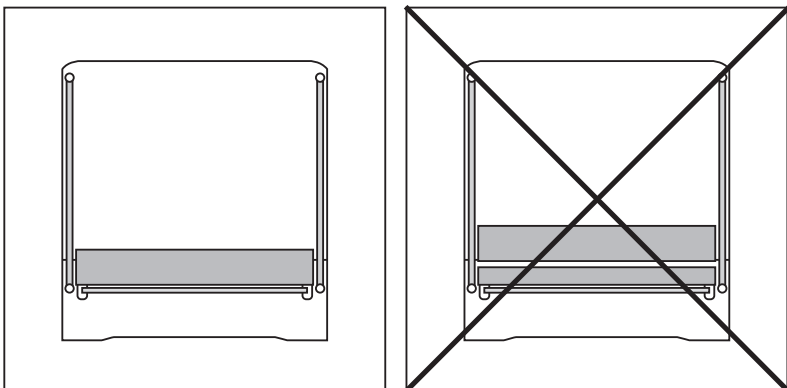
SCAN TO REGISTER  
YOUR WARRANTY

## **IMPORTANT! READ CAREFULLY AND KEEP FOR FUTURE REFERENCE.**

- The Wiggle Crib Co-Sleeper is suitable for babies from birth until 6 months, 9kg, or until they are able to sit unaided or pull or push themselves up on their hands and knees.
- Your child's safety may be affected if you do not follow these instructions.
- Use only spare parts delivered by the manufacturer for replacing parts or repairs.
- Damage caused by overloading or incorrect folding are not covered by the warranty.
- Prolonged exposure to sunshine may cause changes in the colour of materials and fabrics.
- Do not expose this product to extreme temperatures. Extreme sunshine or temperatures may cause colour changes or bent parts.

### **WARNING:**

- Do not use this product without reading the instructions first.
- Stop using the product as soon as the child can sit or kneel or pull itself up.
- Placing additional items in the product may cause suffocation.
- Never leave the child unattended.
- Do not move the crib with the baby inside.
- Do not place the product close to another product, which could present a danger of suffocation or strangulation, e.g. strings, blind/curtain cords, etc.
- Be aware of the risk of open fire and other sources of strong heat, such as electric bar fires, gas fires, etc. in the near vicinity of the product.
- Do not use the product if any part is broken; torn or missing and use only spare parts approved by manufacturer.
- Do not use more than one mattress in the product.



## **WARNING:**

- Mattress dimensions: 780 x 450 x 20mm
- The maximum thickness of the crib mattress is 1 inch (25mm).
- Only use the mattress sold or any replacement mattresses approved by manufacturer with the product.
- The crib must always be placed on a horizontal floor. Never leave the crib on a sloping surface with the child inside.
- Children should not be allowed to play near the crib without adult supervision.
- The crib should be locked in the fixed position when the child is left unattended.
- All assembly fittings should always be tightened properly and that care should be taken that no screws are loose, because a child could trap parts of the body or clothing (e.g. strings, necklaces, ribbons for babies' dummies, etc.), which would pose a risk of strangulation.
- The inclination levels is from one to five, always use the same levels with the manufacturer's instructions.
- When not in use, keep the crib out of reach of children.
- The crib is ready for use only when all the locking mechanisms are correctly engaged. Check carefully that they are inserted before use and that there are no loose or damaged components.
- Never add a pillow, comforter or another mattress for padding.
- To reduce the risk of SIDS, pediatricians recommend healthy infants be placed on their back to sleep, unless otherwise advised by your physician.

## **WARNING:**

Additional information for bedside sleepers

- To avoid hazards from the child's neck being caught on the top rail on the side that is next to the adult bed, the top rail must not be higher than the adult bed mattress.
- To avoid the risk of your child being strangled the attachment system to the adult's bed shall always be kept away from and out the crib.

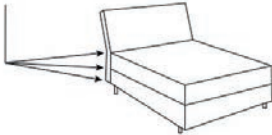
**DANGER!** The folding side must always be raised and locked when the product is not attached to the adult's bed.

## **IMPORTANT:**

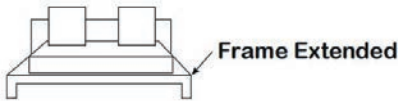
- There must be no gap between the crib and the adult bed.
- There shall never be a gap between the lower side of the bedside sleeper and the mattress of the adult bed.
- The bedside sleeper is suitable for an adult bed at the height of 610-710mm.
- Before each use, check that the crib is attached by pulling it away from the adult bed. Tighten the anchoring strap if necessary.

- DO NOT use the product if there is a gap between the crib and the adult bed.
- Do not fill any gap between the crib and the adult bed with cushions, blankets or other objects as they may cause suffocation.
- To prevent the risk of the head becoming trapped, when in the “Co Sleeping Mode” (fixed to the bed) the crib must be correctly fixed to the adult bed, as described in the instructions for use, using the fastening straps supplied.
- Use only the fastening straps included in the package.
- DO NOT USE the crib if any part is missing, damaged or broken.
- Contact BabyStyle UK for spare parts and user instructions if needed. DO NOT PLACE missing, damaged or broken parts with original components or components not approved by manufacturer.
- Always use all parts needed for each configuration of use.

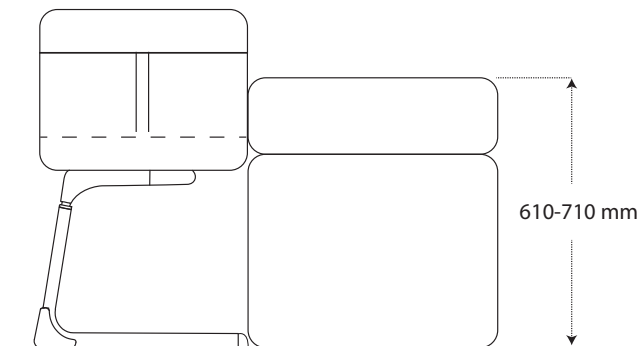
**Mattress, Boxsprings & Frame aligned**



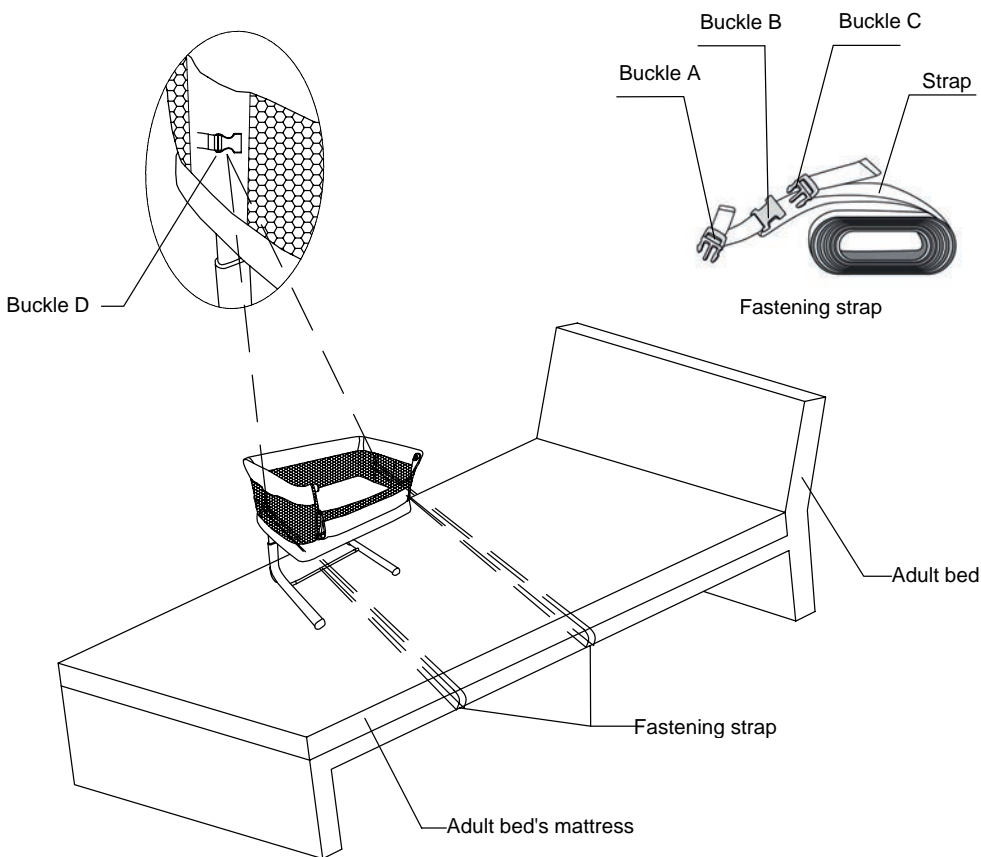
**ACCEPTABLE BED FRAME IN-LINE**



**UNACCEPTABLE BED,  
MATTRESS,BOXSPRING & FRAME NOT IN-LINE**



This crib is suitable for adult beds with a height of 610-710mm. First, untie buckles B and C on the frame fixed webbing group. After untying, place buckle C on one side of the adult bed, and then put the buckles C on the side of the adult bed. Buckle B goes around the bed board and comes out from the bottom of the crib on the other side. After passing through, buckle buckle B and buckle C, then insert buckle A into buckle D. After inserting, adjust the length of the webbing until it reaches the crib until there is no space between the adult bed. The height of the crib needs to be adjusted with the height of the adult bed. Make sure that when the two beds are connected, adjust the position of the webbing to always maintain a horizontal connection. (As shown below).



## **WARNING:**

Please keep all packaging material away from babies and children, to prevent suffocation.

## **Remote control powered by coin/button batteries**

## **WARNING:**

This product contains a coin/button battery. A coin/button battery can cause serious internal chemical burns if swallowed.

Dispose of used batteries immediately. Keep new and used batteries away from children. If you think batteries might have been swallowed or placed inside any part of the body, seek immediate medical attention.

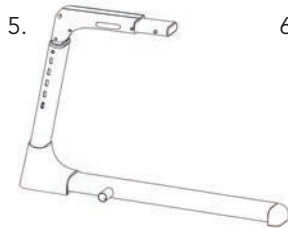
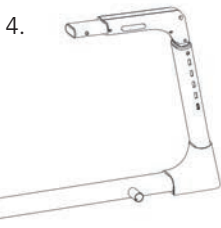
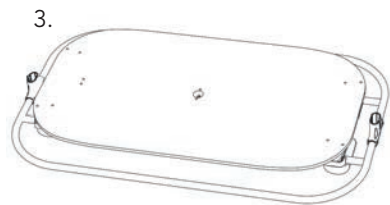
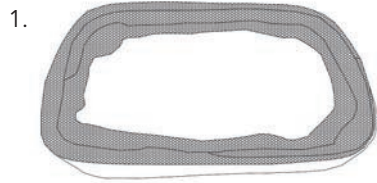
## **CAUTION:**

- Adult assembly required.
- Use for babies aged up to 6 months with maximum weight 9kg.
- Do not use the product for more than one child.
- Do not use the product if there are missing or damaged parts.
- If parts are missing or broken, please contact the store where you bought the product, before using.
- The manufacturer revokes all responsibility in case you have used spare parts different from the approved type or not recommended by the producer.
- Keep away from fire.
- Check the crib periodically to make sure that there are no loose parts, damage or missing components.
- Do not leave small objects inside the crib, as these could be swallowed by the child.
- Do not place the crib near walls and obstacles, to prevent the risk of the child getting trapped.
- When not in use, keep the crib out of the reach of children.
- When the product is used in the crib version, the reclining bed rail must only ever be used in the raised position. Only in the co-sleeping version can the crib be used with the bed rail reclined.

Manufactured and tested in compliance with EN1130:2019+AC2020;  
EN16890-2017+A1-2021

# COMPONENTS

1. Crib fabric
2. Mattress
3. Support frame
4. Left leg
5. Right leg
6. Leg connecting bar
7. Crib connecting tubes
8. Instruction manual
9. Remote control
10. Fastening strap x 2
11. USB lead



# INSTALLATION

Press the spring loaded pin (on the leg connecting bar), then connect the left and right leg sets with the leg connecting bar as directed by the arrows.

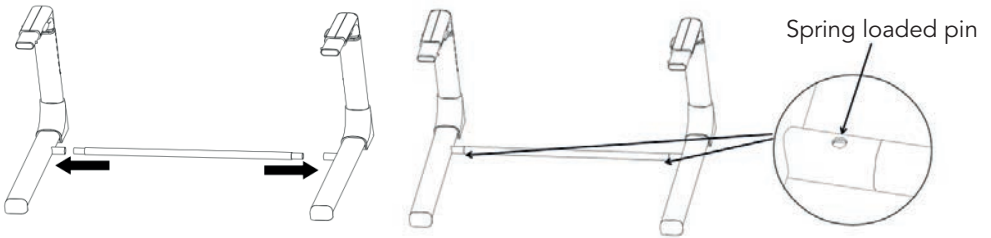


Fig. 1

The fabric part has already been assembled with the support frame, please remove the four corners of the fabric part from the bottom tube as Fig.2 arrow showed and turn the whole crib set over.

Then hold the upper part of the crib with one hand and insert the crib support tube into the plastic as shown in Figure 3.

Then put the plastic at the upper of the crib sets into the support tube as shown in Figure 4 (overleaf).

Repeat the same for the other connecting tube as shown in Figure 5 & 6.

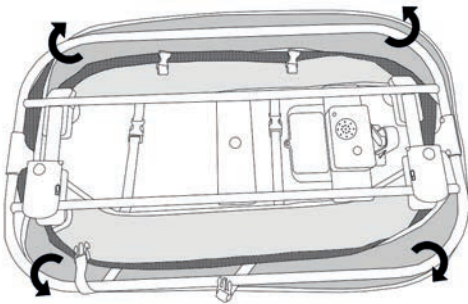


Fig. 2

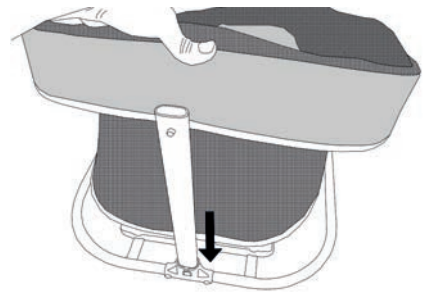


Fig. 3



# INSTALLATION (CONT.)

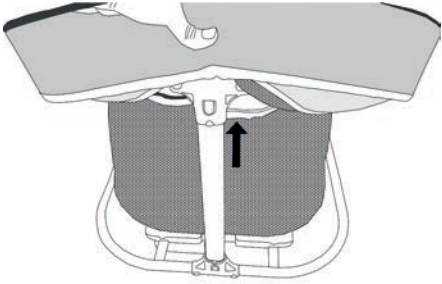


Fig. 4

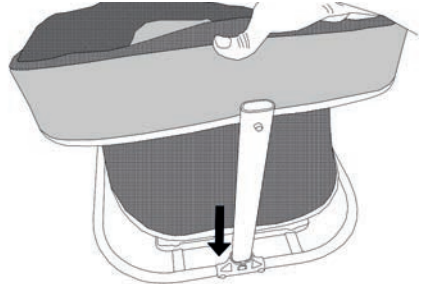


Fig. 5

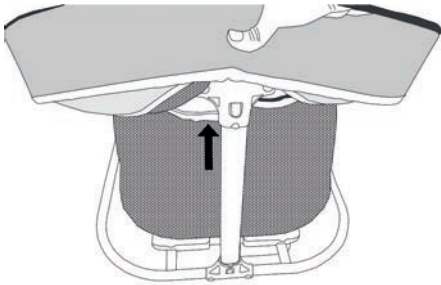


Fig. 6

Put the outer net of the crib into the crib support tube as shown in the arrows of Fig.7, 8, 9 and 10 respectively, and wrap the pipe fitting.

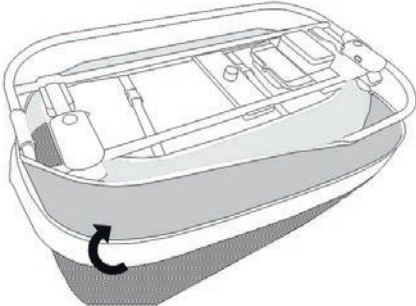


Fig.7

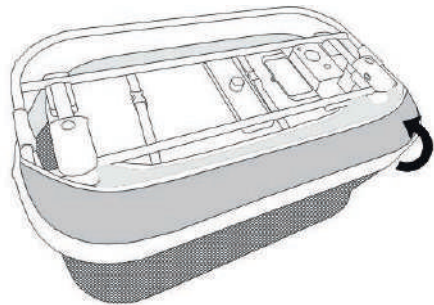
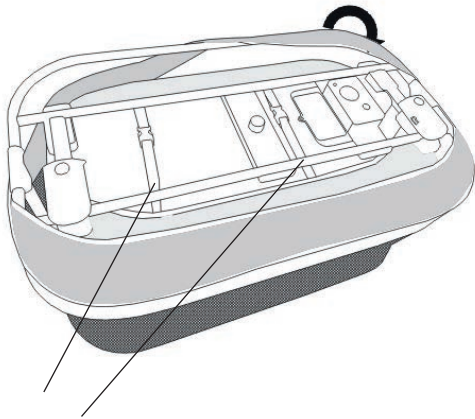


Fig. 8

# INSTALLATION (CONT.)

After the cover is completed, insert the male and female fasteners of the two safety straps into each other, as shown in Figure 9 & 10.



Safety strap

Fig. 9

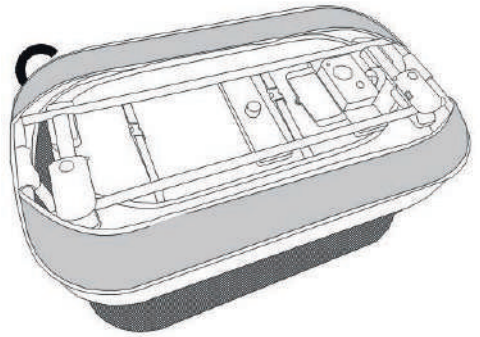


Fig. 10

Put the foot tube group into the crib set as shown in the arrow in Figure 11 until you hear a click. Check both ends are secure before use Figure 12.

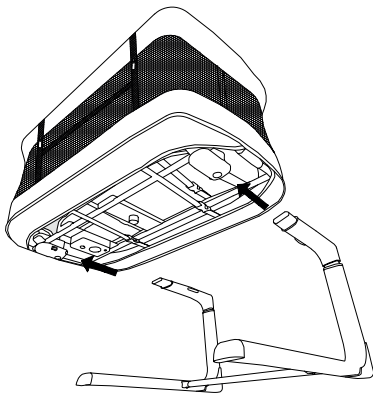


Fig. 11

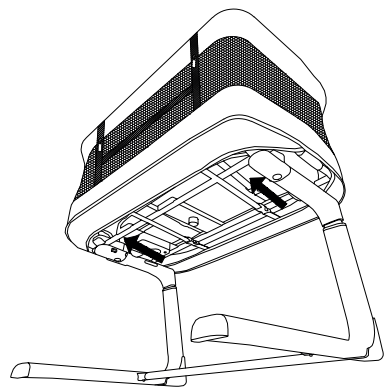


Fig. 12

Add the mattress.

Mattress dimensions: 780 x 450 x 20 mm

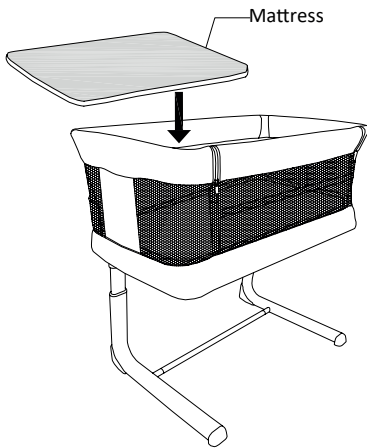


Fig. 13

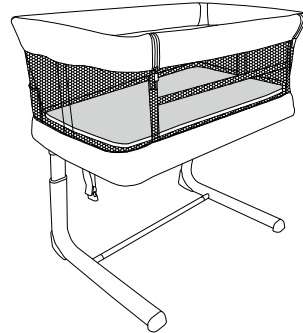


Fig. 14

## WARNING:

- Do not use more than one mattress in the crib (crib or suspended cradle).
- To avoid a fire risk, never place the product near electric heaters, gas stoves or other sources of strong heat (crib or suspended cradle).
- During covering and/or uncovering and assembly and/or disassembly, handle the fabric with care to avoid accidental breakage or damage.
- Covering, uncovering, assembly and disassembly must be carried out by an adult.
- Mattress dimensions: 780 x 450 x 20mm
- Suitable for cribs with maximum internal dimensions of 800 x 465 x 295mm

## CAUTION:

- The dimensions shall take into account that there shall be no gap more than 30 mm between the mattress and the sides end ends in any position of the mattress.
- Do not use the product if any part is broken, torn or missing and use only spare parts approved by the manufacturer.
- The mattress comes with a removable and washable fabric cover.
- Check the product regularly for any wear and tear. In the event of damage, do not use it and keep it out of the reach of children.
- When washing the fabric, carefully follow the instructions on the label.
- Do not clean with solvents, abrasives or overly aggressive products.
- After each wash, check the tolerance of the fabric and stitching.

# INSTRUCTIONS FOR USE

## How to release to drop side bar

First unzip the zipper as indicated by the arrow in Figure 15, there are quick release buttons on the both end of the drop side bar, pull the quick-release button inward on both sides at the same time as the arrow show, pull and lift the bar up in the direction of the arrow as shown in Figure 16.

Note: There are press studs inside the drop down fabric, please make sure they are fastened to prevent the bar from falling out of the fabric.

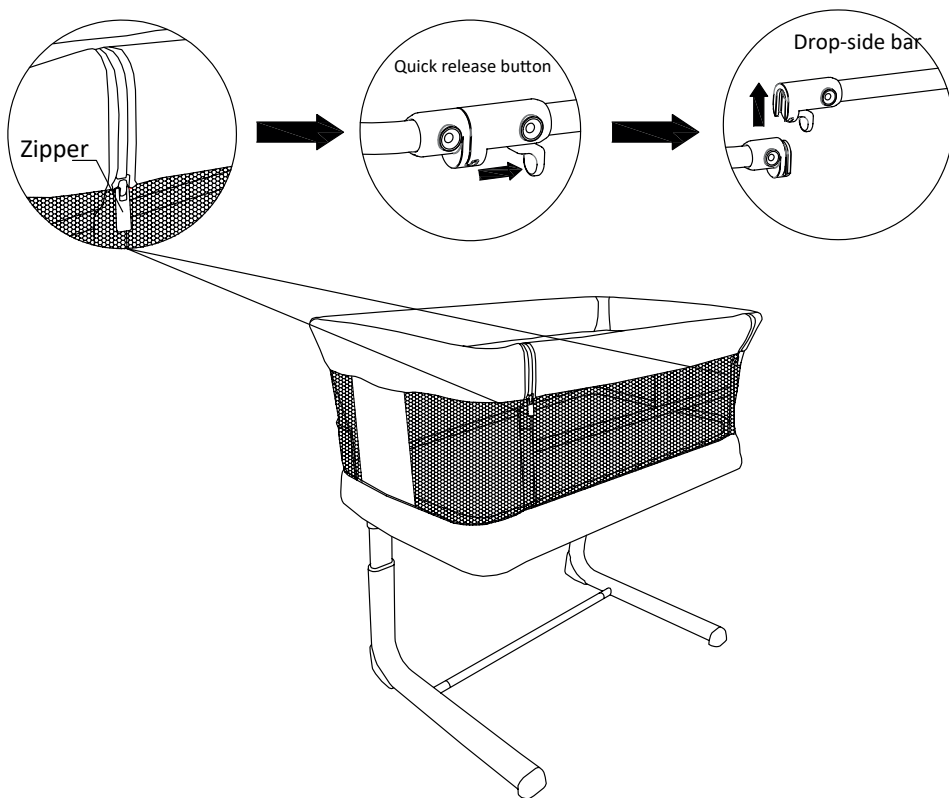


Fig. 15

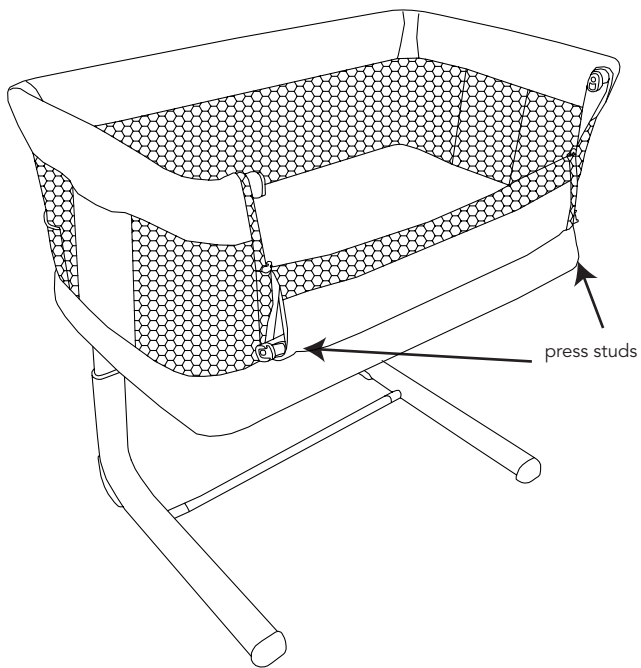


Fig. 16

Adjust the crib height: press the lift adjustment button to adjust the crib height Figure 17. there are 1-5 numbers on the side of the foot tube to indicate the height (as shown).

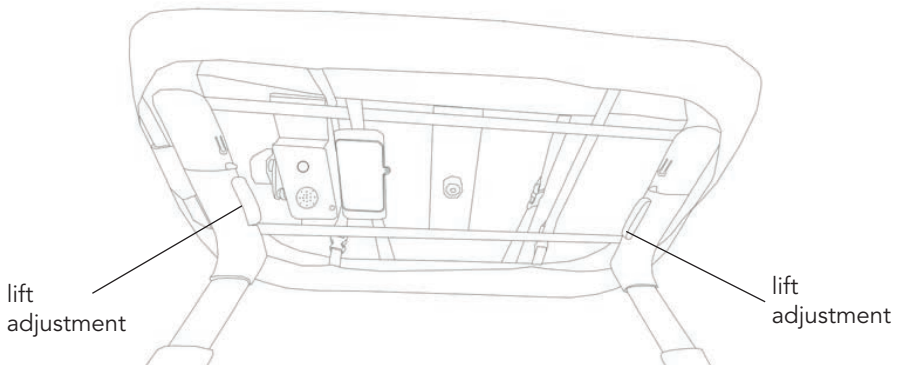
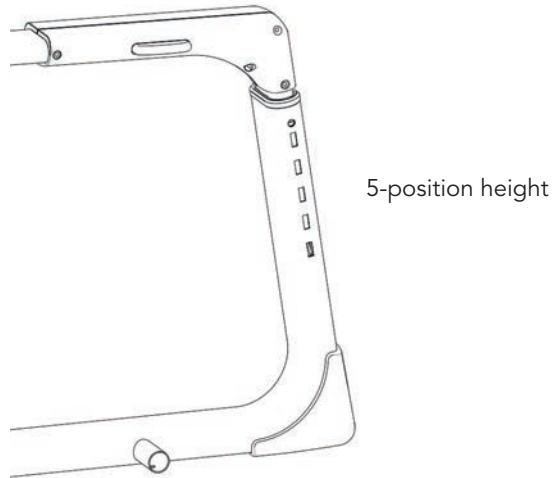


Fig. 17

# INSTRUCTIONS FOR USE

There are 1-5 numbers on the side of the foot tube to indicate the height  
Figure 18.



## CAUTION!

The numbers on the left and right connecting tube indicate the heights. The left and right height must be adjusted to the same height before use.

**NEVER USE** the crib with two different side heights or create an incline sleeping position.

Always check the height adjustment numbers to ensure the crib is even. Failure to do so could result in serious injury or death to the infant.

# INSTRUCTIONS FOR USE (CONT.)

## Music box Function

The music box is located on the bottom of the crib.

Operation by DC adaptor.

Adaptor plug not include in this product, the adaptor head required should be 5V 2A. Connect the USB cable line with adaptor head first, directly plug the adaptor head into the 100-240v output socket of the household power supply and insert the plug into the music box adaptor socket to connect external power.

It is recommended to use indoors and away from humid places.

There is only one power on/off button on the music box, press the button, power on, it starts the swing speed 1 and with a of 45 minutes timer - no music plays. It stops swinging after 45 minutes.

Press again, power off, the product stop swinging .

Swing speed: 3 speeds, only operated by remote control.

Timer function:

After the rocking or music is turned on, the timer will be set to 45 minutes by default. After the timer expires, the rocking or music will be turned off.

Motion Detection function:

Only operated by Remote control.

Detective motion turns off automatically once press to power on. Turn on the detective motion by remote control, the music box light's colour turns to green from red.

Detective motion turn on after 5 seconds that neither it stops swinging nor music stop playing. When vibration is detected, it enters the detective motion, the product automatically turns on the swing level 1 - no music plays.

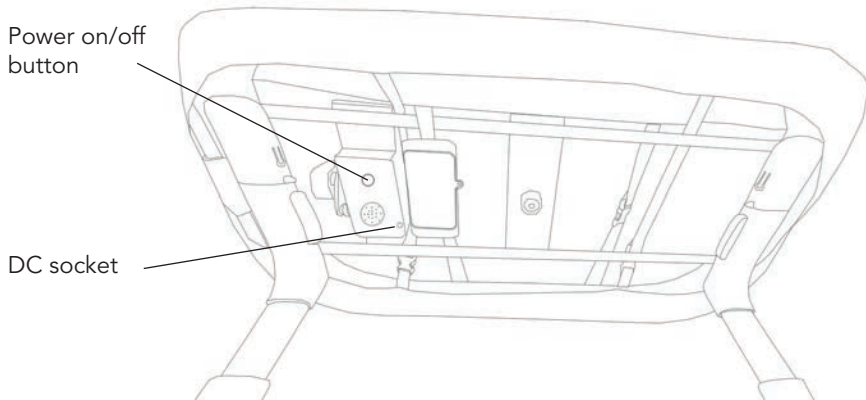
Music function:

It only operated by remote control. 8 songs plays in loop. The music has a memory function (every time you turn on the music, it will automatically continue playing the music when you last turned it off).

Volume +/-

5 levels, When music is turned on, the default volume level is two.

# INSTRUCTIONS FOR USE (CONT.)



## CAUTION!

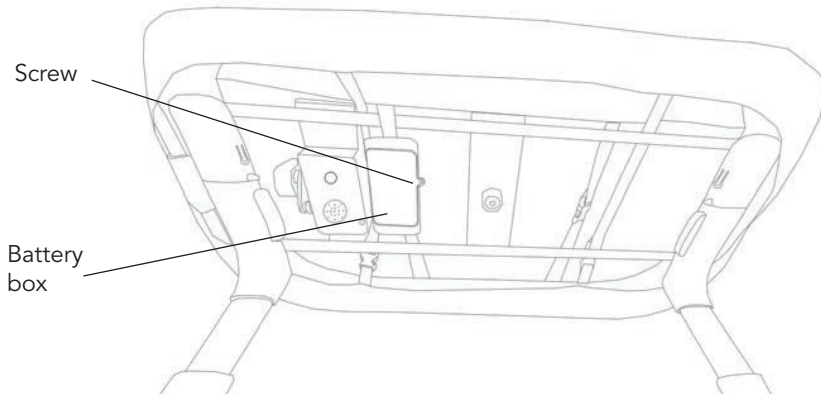
- Transformers used with the product are to be regularly examined for damage to the cord, plug, enclosure and other parts, and in the event of such damage, they shall not be used;
- The product shall only be used with the recommended transformer.



# INSTRUCTIONS FOR USE (CONT.)

## Operation by batteries

The DC mode is shown in the figure: Use a screwdriver, open the battery cover at the bottom of the crib, and load 4 LR14 batteries according to the battery symbol at the bottom of the battery box. And lock the battery box by fixing screws.

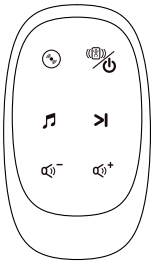


### CAUTION!

- Do not mix old and new batteries.
- Do not mix alkaline, standard (carbon-zinc), or rechargeable (nickel-cadmium) batteries.
- Remove batteries before putting crib seat into storage for a prolonged period of time. Exhausted batteries are to be removed from the product.
- Non-rechargeable batteries are not to be recharged.
- Batteries are to be inserted with the correct polarity.
- Do not short-circuit the battery terminals.

# REMOTE CONTROL

Each time you press a button on the remote control, the light on the top of the remote control will flash to indicate that it is working properly.



Motion Detection on/off

- Turn on by short press
- Turn off by long press



Swing Speed/Power off

- Short press to start the first swinging speed, press again to go to second speed, press again to go to third speed, press again to stop swinging.
- Long press to power off.



Music on/off

- Short press to turn on the music, press this button again to turn off the music. Long press to cycle through the list (one beep) and single cycle (two beeps) to switch (default list loop function).



Next Song



Volume down, Volume up

## CAUTION!

**WARNING:** This remote contains a coin/button battery. A coin/button battery can cause serious internal chemical burns if swallowed.

**WARNING:** Dispose of used batteries immediately. Keep new and used batteries away from children. If you think batteries might have been swallowed or placed inside any part of the body, seek immediate medical attention.

# CLEANING AND MAINTENANCE

- Crib cleaning: The fabrics on the crib cannot be removed for cleaning. If you need to clean them, use a damp cloth and mild detergent, and dry thoroughly. Do not wash directly with water. This product is not waterproof, wipe frames with a damp cloth and dry.
- To prolong the life of your nursery product, keep it clean and do not leave in the direct sunlight for extended periods of time.
- Do not use abrasive cleaners. Do not soak in water.
- Always store your product in a clean dry place.
- Do not leave in the boot of car.
- Avoid exposure to salt water, as this may encourage the formation of rust. If product is used in this environment completely clean your product afterward to remove sand and salt from mechanisms.
- Should parts become stiff, squeak or difficult to operate ensure dirt is not the cause.
- When storing product, never stack other items on top of it, this may damage the product.
- Do not dry clean or use bleach.
- In some climates the parts may be affected by mould and mildew. To help prevent this occurring, do not fold or store the product if it is damp or wet. Always store the product in a well ventilated area.
- Always check parts regularly for tightness of screws, nuts and other fasteners, tighten if required. To maintain the safety of your nursery product, seek prompt repairs for bent, torn, worn or broken parts.
- Use only parts and accessories approved by the supplier.

# WARRANTY POLICY

## KEEP YOUR ORIGINAL RECEIPT OF PURCHASE SAFE WITH YOUR WARRANTY INFORMATION

It will be required should you unfortunately find a defect. The receipt must show the date of purchase clearly. In the first instance you must contact the original place of purchase. Exchanging or returning the product cannot be requested. Repairs to any part of this product do not extend the warranty period. Do not return your product direct to the manufacturer.

## DISCLAIMER

Whilst we believe the information set out in this instruction manual to be correct and reliable at the time of print, we do not accept responsibility for its accuracy and we shall not be liable for its interpretation and its use. We reserve the right to change, modify, add or delete product specifications at any time without prior notice.

## YOUR WARRANTY POLICY

At BabyStyle, we guarantee your product has been manufactured in accordance with all current European safety standards which are applicable to this product, and that this product is free from any defects in workmanship and material at the time of purchase. During the production process this product has gone through rigorous quality checks. Despite our efforts, if this product does show a manufacturing or material defect within the 24 months warranty period for the frame and 6 months for the fabrics we will comply to the warranty terms and conditions providing the product has been used for normal use as described within the instruction manual and it has been maintained correctly as described in the instruction manual, for further information please contact the place of purchase. Please retain your original receipt of purchase safely.

# WARRANTY TERMS

- Frame: 24 consecutive months.
- Fabrics: 6 consecutive months.
- The warranty only applies to the original purchaser and is non-transferable.

The warranty will be invalidated in the following circumstances:

- The product has not been used for its purpose other than described within the instruction manual.
- If the product is returned for repair through a dealer not authorised by us.
- If the original receipt of purchase cannot be provided.
- If the defect is as a result of improper use or incorrect maintenance, negligence or impact damage.
- If the parts show normal wear and tear that may be expected from daily use of the product.
- The warranty of this product becomes valid from the date of purchase as stated on the original receipt of purchase. This does not affect your statutory rights.

Register your product today at [babystyledirect.co.uk](http://babystyledirect.co.uk).

We are proudly part of the



[bpia.co.uk](http://bpia.co.uk)

BabyStyle UK Ltd  
36 Charles Street, Sileby,  
Leicestershire LE12 7RJ

United Kingdom

T: 01509 816444  
E: [info@babystyle.co.uk](mailto:info@babystyle.co.uk)  
[babystyle.co.uk](http://babystyle.co.uk)

©BabyStyle UK Ltd. AW1105 21112024v4